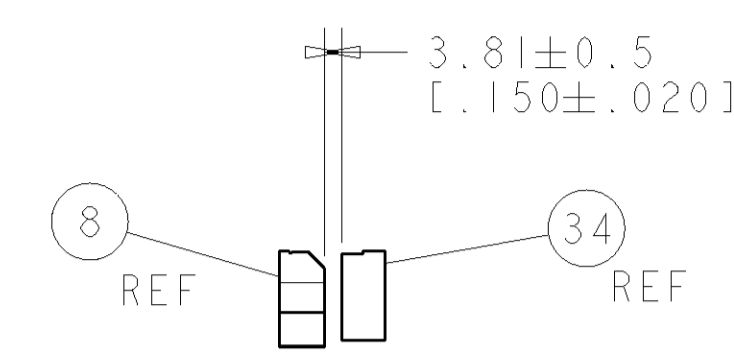
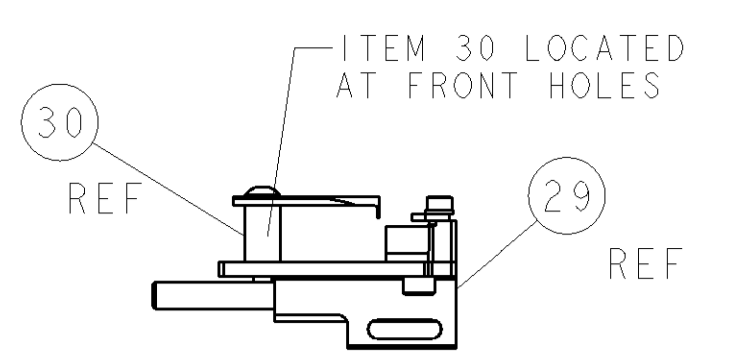
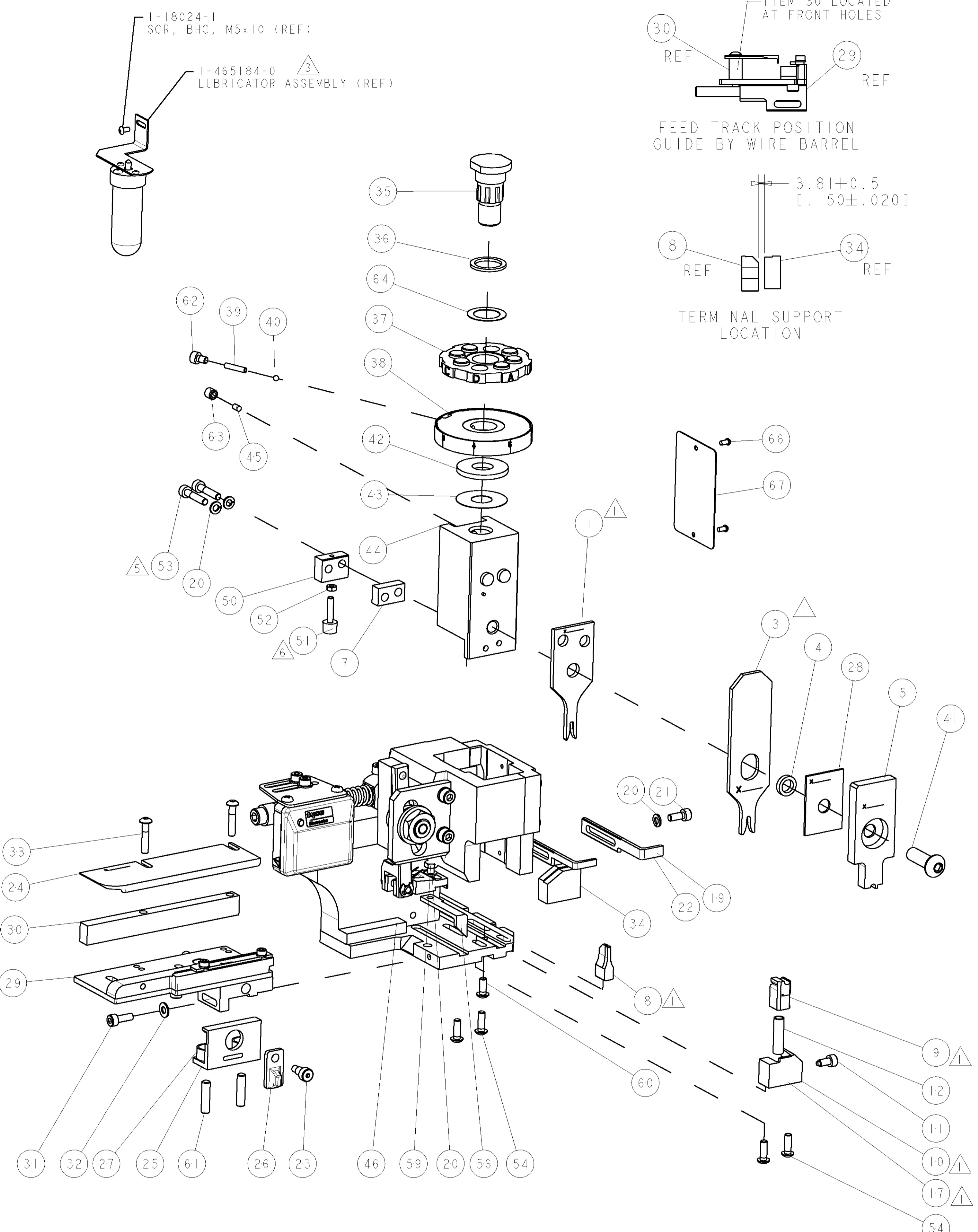
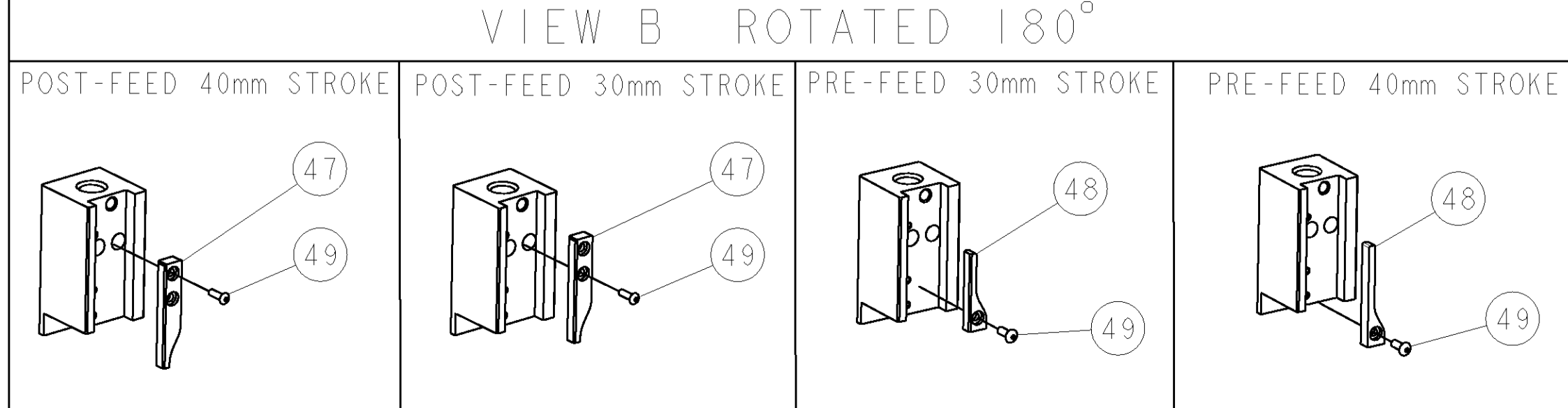


PART NUMBER	REV	TERMINATOR	FEED TYPE	DESCRIPTION
1426594-1	B	LEADMAKER	MECH POST FEED	CUTS CARRIER
1426594-2	B	BENCH	MECH PRE FEED	CUTS CARRIER
1426594-6	B	LEADMAKER	MECH POST FEED	CONTINUOUS CARRIER
7-1426594-1	B	LEADMAKER	MECH POST FEED	-1 AND SPARE PARTS
7-1426594-2	B	BENCH	MECH PRE FEED	-2 AND SPARE PARTS
7-1426594-6	B	LEADMAKER	MECH POST FEED	-6 AND SPARE PARTS
7-1426594-7	B	-	-	SPARE PARTS KIT

CRIMP DATA		AMPHENOL TERMINAL		TYCO CRIMP SPECS	
TERMINAL NAME: PIN CONTACT					
CRIMP	SIZE	TYPE	RANGE		
WIRE	1.78 [.070 IN]	F	0.50mm ² - 1.00mm ²		
INSUL	2.29 [.090 IN]	O	1.20-2.10 [.047-.083 IN]		
WIRE STRIP LENGTH		APPL INSTRUCTIONS			
3.60-4.40 [.142-.174 IN]		408-8322			
TERMINAL APPL SPEC		FEED		9.00 [.354 IN]	
TERMINALS APPLIED					
TYCO PN	MANUF'S PN				
1572940-1	TN 01 015 0047 I	-	-	-	-
1572941-1	TN 02 015 0047 I	-	-	-	-
WIRE SIZE	CRIMP HEIGHT	PINPN & LENGTH [IN]			
1.00mm ²	1.45 ±0.05 [.057 ±.002 IN]	1-354779-0 [.3040]			
0.75mm ²	1.32 ±0.05 [.052 ±.002 IN]	2-354779-2 [.3100]			
0.50mm ²	1.22 ±0.05 [.048 ±.002 IN]	3-354779-0 [.3140]			

- RECOMMENDED SPARE PARTS.
- GREASE RAM, CAM, CAM FOLLOWER AND FEED ROD LIGHTLY.
- CERTAIN TERMINALS REQUIRE LUBRICATION. REFER TO THE APPLICATOR INSTRUCTION SHEET FOR MORE INFORMATION.
- LUBRICATE DAILY PER THE APPLICATOR INSTRUCTION SHEET SUPPLIED WITH THE APPLICATOR.
- ITEM 53, CUT TO LENGTH AT ASSEMBLY.
- ITEM 51, HOLD DOWN BUMPER NOT TO BE USED ON TERMINAL PN TN 02 015 0047 I.
- ALL CRIMP DATA CALCULATED BY TYCO ELECTRONICS.



SET UP GAGE
458637-3

REVISONS				DATE	BY	APPD
A	SEE ECO-06-006242	16MAR2006	DP	MC		
B	SEE ECR-06-011867	17MAY2006	DP	MC		

ITEM NO	DESCRIPTION	QTY	UNIT
73			
72			
71	DOCUMENTATION PACKAGE	1338705-1	
70			
69			
68			
67	PLATE, IDENTIFICATION	461264-1	
66	SCREW, DRIVE	21017-2	
65			
64	WASHER, FLAT PRECISION	986950-1	
63	SCR, SET, CUP POINT M6 X 6.0	3-18031-0	
62	SCR, SKT HD CAP M4 X 6.0	18023-9	
61	SCR, SET, FLT POINT M5 X 20.0	2-18032-5	
60	SCR, BTN SKT HD CAP (M4 X 10.0)	18024-7	
59	SCR, HEX HD CAP M4 X 8.0	5-18022-2	
58			
57			
56	PAWL, FEED	1338685-1	
55			
54	SCR, BTN SKT HD CAP (M4 X 12.0)	18024-8	
53	SCR, SKT HD CAP M4 X 20.0	1-18023-4	
52	NUT, HEX, REG M3	18030-1	
51	BUMPER, HOLD DOWN	811242-5	
50	SPACER, TONKER	690753-2	
49	SCR, BTN SKT HD CAP (M3 X 10.0)	18024-3	
48	CAM, UNIVERSAL PRE FEED	1338675-1	
47	CAM, UNIVERSAL POST-FEED	1338676-1	
46	APPLICATOR SUBASSEMBLY, HDI	1320999-3	
45	PLUG, NYLON	690191-1	
44	RAM	1338660-1	
43	SHIM SUB-ASSY	690125-1	
42	WASHER, RAM (.115)	690124-1	
41	SCR, BTN SKT HD CAP (M8 X 25.0)	2-18024-6	
40	BALL, STEEL	23241-1	
39	SPRING, COMPRESSION	2-22278-7	
38	DISC, ADJUST, INSULATION CRIMP	1320922-1	
37	WIRE DISC, ASSEMBLY	354777-1	
36	SPRING, COMPRESSION	22480-5	
35	POST, RAM	690212-1	
34	SUPPORT, TERMINAL	1333246-4	
33	SCR, BTN SKT HD CAP (M4 X 20.0)	1-18024-0	
32	WASHER, FLAT, REG M4	18027-2	
31	SCR, SKT HD CAP M4 X 12.0	1-18023-2	
30	SPACER, STRIP GUIDE	1-1320908-5	
29	STRIP GUIDE ASSEMBLY	1633073-1	
28	SPACER, CRIMPER	1-455888-0	
27	SPRING, COMPRESSION	1-22284-0	
26	LEVER, DRAG RELEASE	356835-1	
25	DRAG, TERMINAL	240792-1	
24	PLATE, STRIP GUIDE	1320928-1	
23	SCR, SKT HD SHLDR 5.0 DIA X 6.0	980371-4	
22	STRIPPER	690472-2	
21	SCR, SKT HD CAP M4 X 10.0	1-18023-1	
20	WASHER, SPRG LOCK, REG M4	18025-2	
19	STRIPPER	690472-1	
18			
17	SHEAR HOLDER, FRONT	1338684-1	
16			
15			
14			
13			
12	SPRING, COMPRESSION	3-22280-3	
11	STOP, SHEAR	356885-4	
10	SHEAR HOLDER, FRONT, CUT	1320921-1	
9	FLOATING SHEAR, FRONT	462006-7	
8	ANVIL, COMBINATION .070	1633130-9	
7	SPACER	2-240641-5	
6			
5	DEPRESSOR, SHEAR	2-455889-0	
4	BLOCK, CRIMPER SPACER	238011-9	
3	CRIMPER, INSULATION O PREMIUM	8-456135-0	
2			
1	CRIMPER, WIRE PREMIUM	3-456404-5	

ITEM NO	DESCRIPTION	QTY	UNIT
84			
83			
82			
81			
80			
79			
78			
77			
76			
75			
74			
ITEM NO	DESCRIPTION	QTY	UNIT
-77			
-76			
-72			
-71			
-6			
-2			
-1			

ITEM NO	DESCRIPTION	QTY	UNIT
84			
83			
82			
81			
80			
79			
78			
77			
76			
75			
74			
ITEM NO	DESCRIPTION	QTY	UNIT
-77			
-76			
-72			
-71			
-6			
-2			
-1			