



**MADE
IN THE USA**

PATENT PENDING

Product Description:

- Protection System - Quad Glove - 4" Deep
- Holds disposable or reuseable gowns, aprons, or coveralls/ jumpsuits, four boxes of gloves, earloop face masks, and face shields
- ADA and CMS Wall Protrusion Compliant
- Face mask and gown boxes may be deeper than 4"; if so, remove PPE from box to place in unit
- Keyholes for wall mounting, or door hanger cut out for use with wall or door hanger
- Quartz Beige ABS Plastic
- Patent Pending

Primary Area for Product Usage:

- Anywhere personal protection equipment is needed

Dispenses:

- Top left: Gowns, aprons, or coveralls/jumpsuits no larger than 14.90"W x 14.65"H x 3.75"D (37.8 cm x 37.2 cm x 9.5 cm)
- Top right: Box(es) no larger than 8.20"W x 10.00"H x 3.63"D (20.8 cm x 25.4 cm x 9.2 cm)
- Middle right: Box(es) no larger than 8.20"W x 5.13"H x 3.75"D (20.8 cm x 13.0 cm x 9.5 cm)
- Bottom: Box(es) no larger than 11.50"W x 5.50"H x 3.63"D (29.2 cm x 14.0 cm x 9.2 cm)

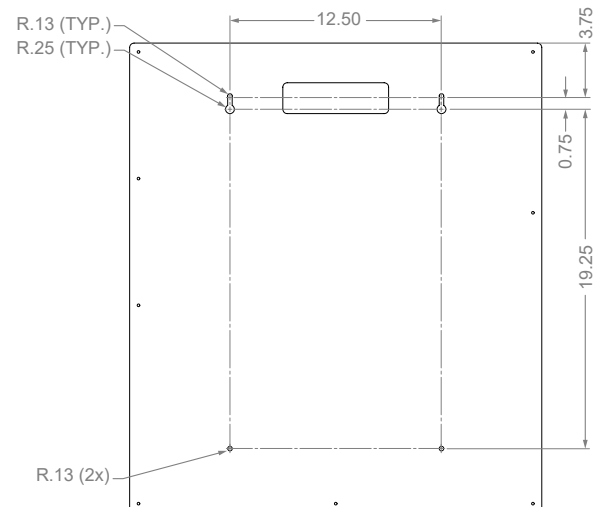
Package Specifications:

- Package Quantity: 1 per case
- 26"L x 6"W x 32"H (66.0 cm x 15.2 cm x 81.3 cm)
- 10.0 lbs (4.5 kg) - approximated

Product Specifications (overall external dimensions):

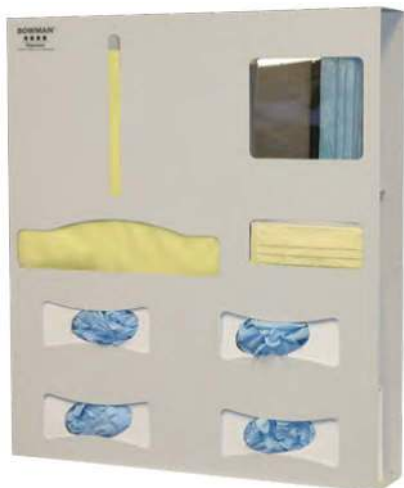
- 23.37"W x 26.63"H x 4.00"D (59.4 cm x 67.6 cm x 10.2 cm)
- 7.1 lbs (3.2 kg) - approximated

Mounting Specifications:



Related Products (each sold separately):

- MP-047: Sign Holder - Clip-On
- BOWMAN® Door and Wall Hangers: MB-450, MB-500, MB-510, and MB-600
- PS412-0512: Protection System - Quad Glove - 4", Quartz Beige Powder-Coated Aluminum (shown below)

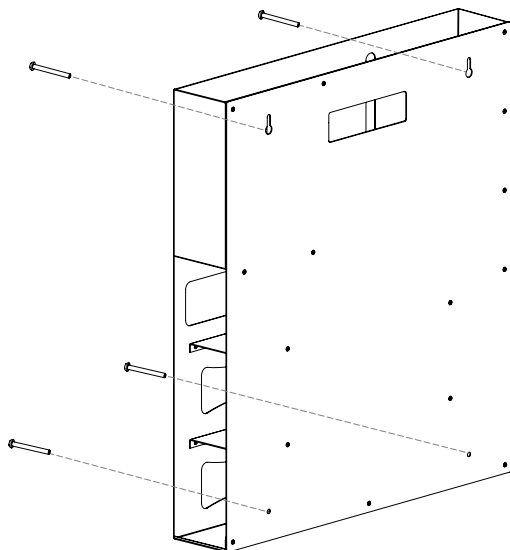




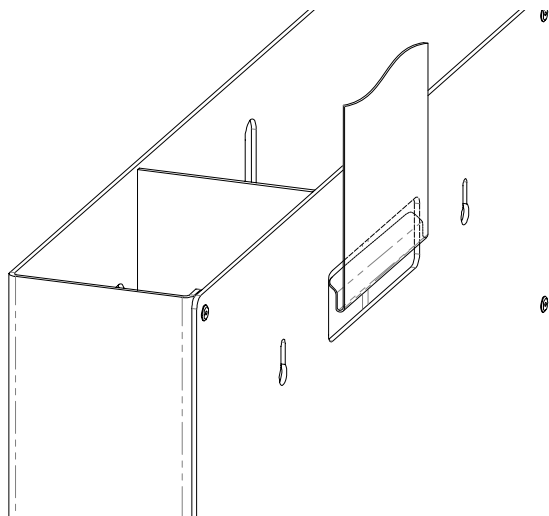
Installation

Always mount dispensers securely *prior* to loading with product.

- Mount securely to a wall with screws approved and supplied by building maintenance.



- Dispenser can be mounted onto a BOWMAN® door or wall hanger through the cutout in the back.
- See door hanger datasheet for proper hanging sequence.



Parts included:

- Dispenser

Tools Required:

- No tools required to assemble dispenser

Care and Construction

ABS Plastic

Material Characteristics

Designed for Long-Term, Heavy-Duty Applications

The combination of copolymers (Acrylonitrile, Butadiene, and Styrene) gives ABS an excellent combination of strength, rigidity, and toughness. The fauxwood finish is ARVINYL laminate created from a semi-rigid film.

ABS is chemical and stress-crack resistant. It is tough, dimensionally stable, and will hold up to long-term use. To ensure product longevity, fauxwood products should not be mounted in very hot or cold areas.

Care and Cleaning

Use mild soap and water to clean. Petroleum-based oils, solvents, and paints should not be used.

Standard hospital cleaning supplies are approved for use on our ABS plastic products.