

6

5

4

3

2

1

E

E

D

D

C

C

B

B

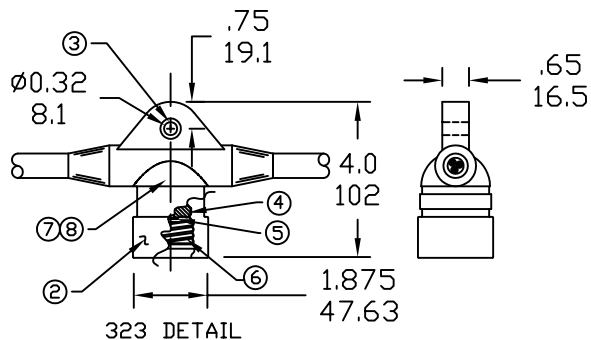
A

A

281.25 FT. REF

62 FT
± 1 FT39 IN ± 1.75 IN
(17) PLACES)

164 FT

#12-3 BLACK
SOW CORD(18) 323 MOLDED BLACK
3-WIRE SOCKET

ITEM	DESCRIPTION	MATERIAL
1	#12-3 BLACK CABLE	SOOW/COPPER
2	MOLDED SOCKETS BLACK	NITRILE/PVC
3	EYELET	BRASS
4	BUTTON WHITE	PORCELAIN
5	RIVET	BRASS
6	SCREWSHELL	COOPER
7	1 CONDUCTOR WIRE BLACK	NEOPRENE
8	1 CONDUCTOR WIRE WHITE	NEOPRENE

NOTE:
THE SOCKETS SHOULD NOT HAVE
GROUND RINGS; NON-METALLIC GUARDS
SHOULD BE USED.

RELEASE DRAWING EC NO: WNA2011-0173 DRWN: TVICKERS 2010/10/01 CHKD: HK APPR: DTITUS 2010/10/28	QUALITY SYMBOLS	GENERAL TOLERANCES (UNLESS SPECIFIED)	DIMENSION STYLE INCH	SCALE NTS	DESIGN UNITS INCH	THIRD ANGLE PROJECTION	
	▽=0 ∇=0	mm INCH	DRAWN BY DATE TVICKERS 2010/10/01	TITLE	STRINGLIGHT 281.25 FT (18) 323@39IN CENTERS 62' LEAD & 164' TAIL		
		4 PLACES ±--- ±--- 3 PLACES ±--- ±.005 2 PLACES ±0.13 ±.010 1 PLACE ±0.25 ±.020	CHECKED BY DATE HK 2010/10/01	APPROVED BY DATE DTITUS 2010/10/28	MOLEX INCORPORATED		SHEET NO. 1 OF 1
		ANGULAR ±.5°	MATERIAL NO. 1301060166	DOCUMENT NO. SD-130106-026	THIS DRAWING CONTAINS INFORMATION THAT IS PROPRIETARY TO MOLEX INCORPORATED AND SHOULD NOT BE USED WITHOUT WRITTEN PERMISSION		
A		DRAFT WHERE APPLICABLE MUST REMAIN WITHIN DIMENSIONS	SIZE A				

6

5

4

3

2

1