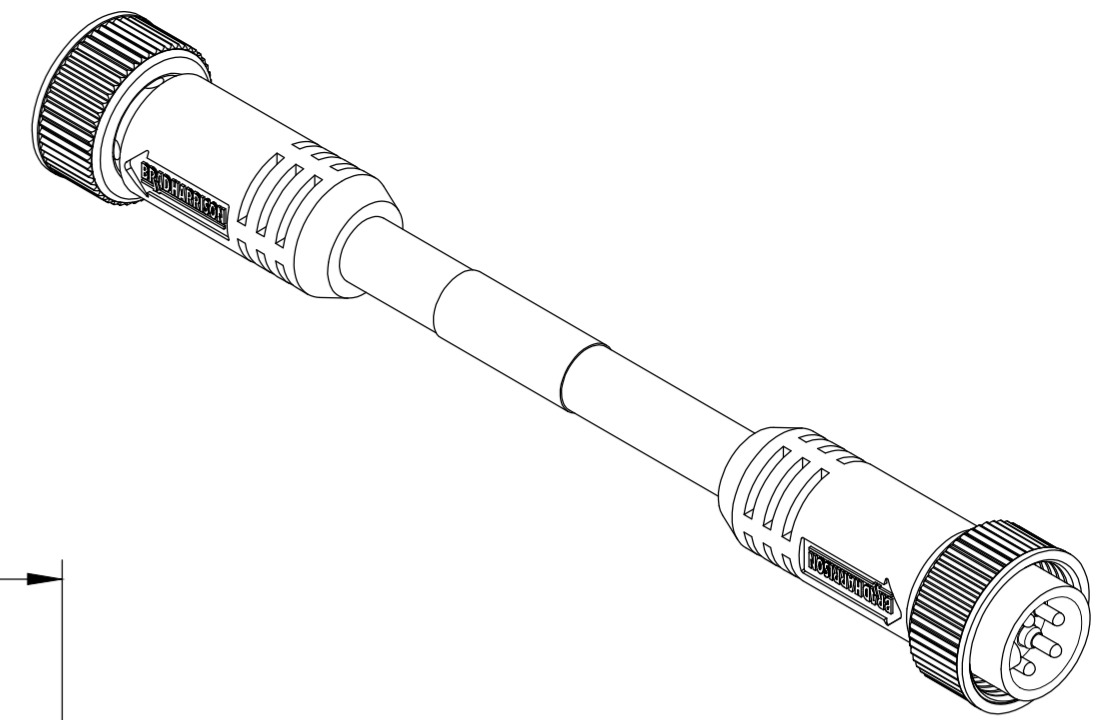


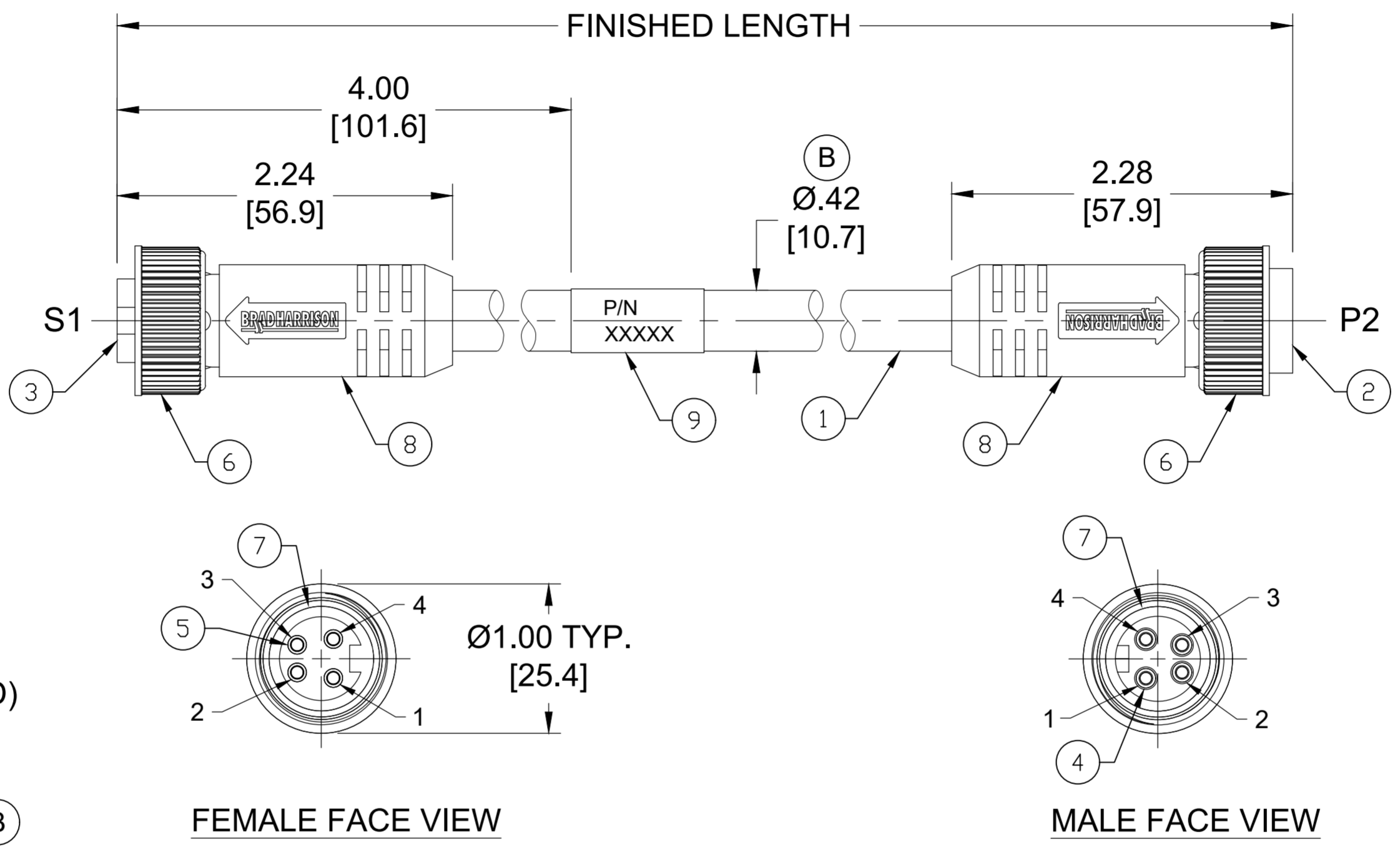
PART NO	ENGINEERING NO.	FINISHED LENGTH
1300100519	114020A01F030	3FT [0.9M]
1300100525	114020A01F060	6FT [1M 32 IN]
1300100533	114020A01F120	12FT [3M 26 IN]
1300100541	114020A01F200	20FT [6M 4 IN]

(B) PART NUMBER LEGEND
114020A01F030

FINISHED LENGTH
F010 = 1 FEET
F100 = 10 FEET
F300 = 30 FEET



- NOTES:**
- MATERIAL: AS NOTED
 - FINISH: AS NOTED
 - ELECTRICAL:
VOLTAGE: 483V PER IEC60664
600V PER UL2238
CURRENT: 10A
 - TEMP RATING: -20° TO +105°C
 - PROTECTION: IP67 (WHEN MATED)
 - COUPLING THREAD: 7/8"-16UN
 - UL RECOGNIZED FILE: E152210
CSA CERTIFIED FILE: LR6837
 - ALL DIMENSIONS ARE FOR REFERENCE
UNLESS TOLERANCED OR NOTED OTHERWISE



ITEM	COMPONENT	MATERIAL	FINISH
9	WRAP LABEL	VINYL	BLACK/YELLOW
8	OVERMOLD	TPE	YELLOW
7	FRICITION RING	NYLON	WHITE
6	COUPLING NUT	ZINC DIE CAST	BLACK-E-COAT
5	CONTACT SOCKET	BRASS	GOLD OVER NICKEL
4	CONTACT PIN	BRASS	GOLD OVER NICKEL
3	FEMALE INSERT	TPE	YELLOW
2	MALE INSERT	TPE	YELLOW
1	CABLE #16 AWG, STOOW/ST	PVC JACKET	YELLOW

S1		P2
1	BLACK	1
2	WHITE	2
3	RED	3
4	GREEN/YELLOW - GND	4

(B) CABLE LENGTH TOLERANCES

<.3M [1FT]: +19mm-0 [+ .75in-0]
.3 - .9M [1 - 3FT]: +44.5mm-0 [+1.75in-0]
.9 - 1.8M [3 - 6FT]: +55.6mm-0 [+2.19in-0]
1.8 - 3.7M [6 - 12FT]: +88.9mm-0 [+3.50in-0]
3.7 - 7.3M [12 - 24FT]: +165.1mm-0 [+6.50in-0]
7.3-14.6M [24 - 48FT]: +317.5mm-0 [+12.50in-0]
14.6 - 30.5M [48-100FT]: +622.3mm-0 [+24.50in-0]
OVER 30M [100FT] +2% OF FINISHED LENGTH

FUNCTIONAL SYMBOLS	THIS DRAWING CONTAINS INFORMATION THAT IS PROPRIETARY TO MOLEX ELECTRONIC TECHNOLOGIES, LLC AND SHOULD NOT BE USED WITHOUT WRITTEN PERMISSION		CURRENT REV DESC: ITEM# 2, 3 & 8 WERE PVC. ITEM # 9 WAS MYLAR. SOCKET & SLEEVE AS ITEM #5. ADDED UL, CSA, CABLE DIA, IEC VOLTAGE, PN LEGEND & TOL CHART. MODIFIED PN CHART				
	DIMENSION UNITS	SCALE					
DIVISIONAL SYMBOLS	INCH/MM	NTS	EC NO: 698916				
	GENERAL TOLERANCES (UNLESS SPECIFIED)		DRWN: ABENJAMINLW	2021/05/24			
DIVISIONAL SYMBOLS	4 PLACES	±----	CHK'D: RSTONE	2022/03/09			
	3 PLACES	±----	APPR: BWOODMAN	2022/03/11			
	2 PLACES	±----	INITIAL REVISION:				
	1 PLACE	±----	DRWN: LHARTMAN	2009/08/10			
0 PLACES	±----	APPR: JFMURPHY	2009/08/14	DOCUMENT NUMBER	DOC TYPE/DOC PART/REVISION		
ANGULAR TOL ± --- °		THIRD ANGLE PROJECTION	DRAWING	SERIES	MATERIAL NUMBER	CUSTOMER	SHEET NUMBER
DRAFT WHERE APPLICABLE MUST REMAIN WITHIN DIMENSIONS			C-SIZE	130010	SEE CHART	GENERAL MARKET	1 OF 1



MINI-CHANGE CORDSET, A-SIZE
4-POLE, MALE-FEMALE, STRAIGHT, SINGLE KEY,
#16 AWG

PRODUCT CUSTOMER DRAWING

SD-130010-005 PSD 001 B