
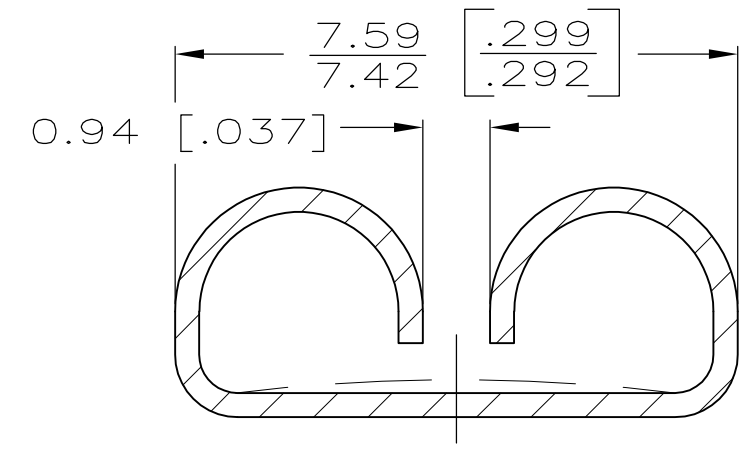
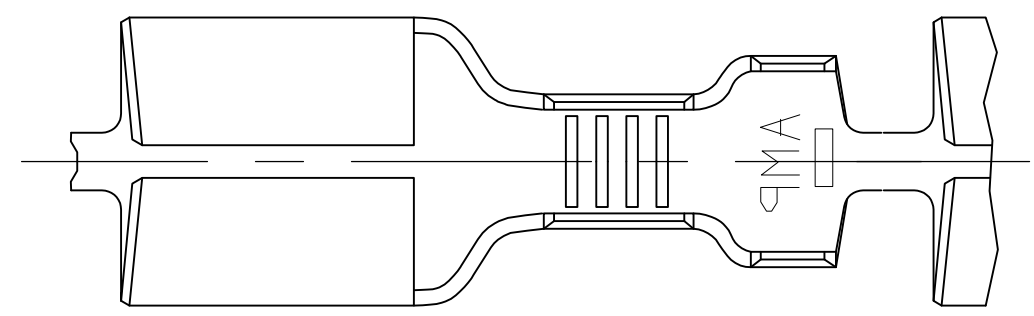


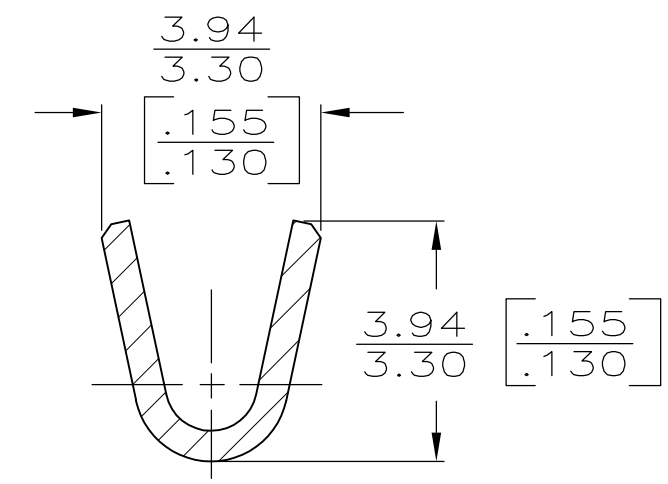
THIS DRAWING IS UNPUBLISHED. RELEASED FOR PUBLICATION
 © COPYRIGHT - By - ALL RIGHTS RESERVED.

REVISIONS				
P	LTR	DESCRIPTION	DATE	APVD
	D1	REVISED PER ECR-15-016360	10MAR2016	NK LP

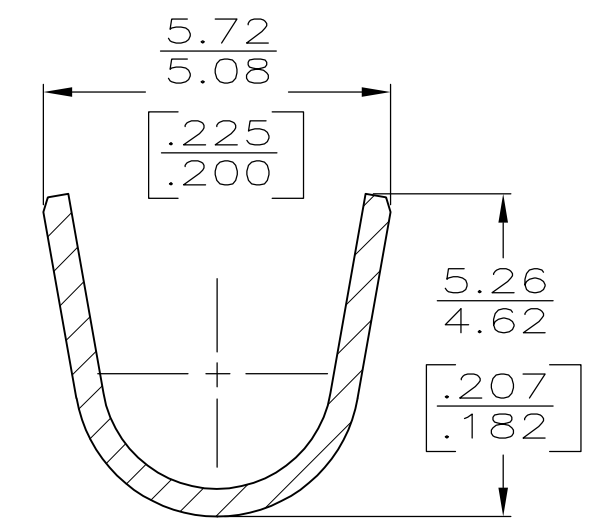
- 1 CONTINUOUS STRIP ON REELS.
- 2 MATING TAB TO BE 0.81 ± 0.025 $[\cdot 032 \pm \cdot 001]$.
- 3 WIRE SIZE IS $[\#20-\#14]$ AWG.
- 4 INSULATION RANGE IS 2.16-3.43 $[\cdot 085-\cdot 135]$ DIA.
- 5  PRELIMINARY - NOT FOR PRODUCTION



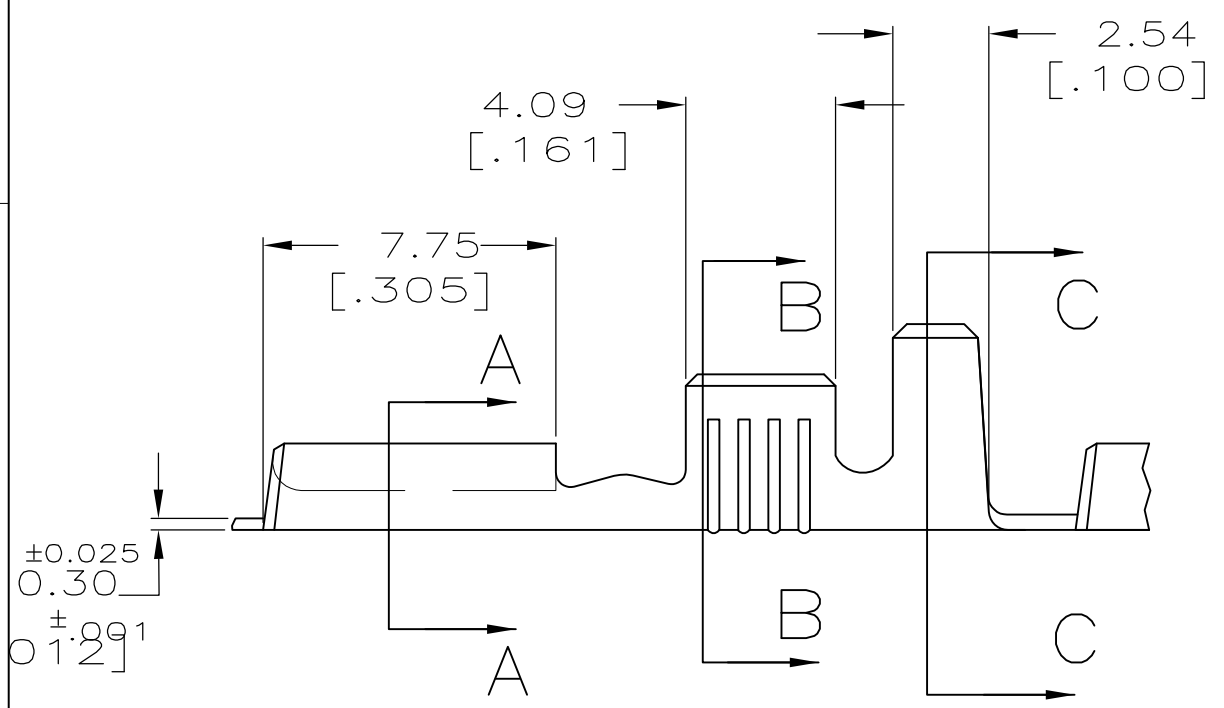
SECTION A-A
SCALE 10:1



SECTION B-B
SCALE 8:1




SECTION C-C
SCALE 8:1



± 0.025
0.30
 $\pm .001$
0.12

OBSOLETE	PLAIN	5 63648-3
	TIN - STRESS RELIEVED	-63648-2
	PLAIN - STRESS RELIEVED	63648-1
	FINISH	PART NO

THIS DRAWING IS A CONTROLLED DOCUMENT.		DWN	JR RUTH	4/3/92	 TE Connectivity											
DIMENSIONS: mm [INCHES]		CHK	MS FEHER	4/3/92												
TOLERANCES UNLESS OTHERWISE SPECIFIED:		APVD	C MEYERS	4/3/92												
<table border="0"> <tr><td>0 PLC</td><td>± -</td></tr> <tr><td>1 PLC</td><td>± -</td></tr> <tr><td>2 PLC</td><td>± 0.25 [.010]</td></tr> <tr><td>3 PLC</td><td>± -</td></tr> <tr><td>4 PLC</td><td>± -</td></tr> <tr><td>ANGLES</td><td>± -</td></tr> </table>		0 PLC	± -	1 PLC		± -	2 PLC	± 0.25 [.010]	3 PLC	± -	4 PLC	± -	ANGLES	± -	PRODUCT SPEC	
0 PLC	± -															
1 PLC	± -															
2 PLC	± 0.25 [.010]															
3 PLC	± -															
4 PLC	± -															
ANGLES	± -															
MATERIAL	BRASS	FINISH		SEE TABLE	RECEPTACLE, FASTON, 6.35 [.250] SERIES											
CUSTOMER DRAWING		WEIGHT	0	SIZE	A3											
		CAGE CODE		00779	DRAWING NO											
		SCALE		5:1	SHEET											
		RESTRICTED TO		-	REV											
		SCALE		5:1	SHEET											
		RESTRICTED TO		-	REV											
		SCALE		5:1	SHEET											
		RESTRICTED TO		-	REV											