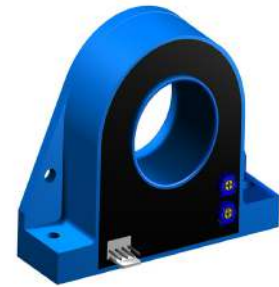


Current Transducer HTA 100 ... 1000-S

For the electronic measurement of currents: DC, AC, pulsed..., with galvanic separation between the primary circuit and the secondary circuit.

$$I_{PN} = 100 \dots 1000 \text{ A}$$



Electrical data

	Type	Primary nominal RMS current I_{PN} (A)	Primary current, measuring range I_{PM} (A)	RoHS since date code
	HTA 100-S	100	±300	46179
	HTA 200-S	200	±600	46170
	HTA 300-S	300	±900	46097
	HTA 400-S	400	±1000	46100
	HTA 500-S	500	±1000	46083
	HTA 600-S	600	±1000	46222
	HTA 1000-S	1000	±1000	46118
V_{out}	Output voltage (Analog) @ I_{PN}		±4	V
R_L	Load resistance @ $T_A = 0 \dots +70 \text{ }^\circ\text{C}$		> 1	kΩ
	@ $T_A = -25 \dots +85 \text{ }^\circ\text{C}$		> 3	kΩ
U_C	Supply voltage (±5 %)		±15	V
I_C	Current consumption		< 25	mA
R_{INS}	Insulation resistance @ 500 V DC		> 500	MΩ

Accuracy - Dynamic performance data

X	Accuracy ¹⁾ @ I_{PN} , $T_A = 25 \text{ }^\circ\text{C}$, @ ±15 V	±1	% of I_{PN}
ϵ_L	Linearity error (0 ... ± I_{PN})	±0.5	%
V_{OE}	Electrical offset voltage, @ $I_{PN} = 0$, $T_A = 25 \text{ }^\circ\text{C}$	< ±10	mV
V_{OM}	Magnetic offset voltage, @ $I_P = 0$, after an overload of $3 \times I_{PN}$	< ±10	mV
TCV_{OE}	Temperature coefficient of V_{OE} @ $T_A = -25 \dots +85 \text{ }^\circ\text{C}$	< ±1	mV/K
TCV_{out}	Temperature coefficient of V_{out} @ $T_A = -25 \dots +85 \text{ }^\circ\text{C}$	< ±0.05	%/K
t_r	Response time to 90 % of I_{PN} step ²⁾	< 3	μs
BW	Frequency bandwidth (-3 dB) ³⁾	DC ... 50	kHz

General data

T_A	Ambient operating temperature	-25 ... +85	°C
T_S	Ambient storage temperature	-25 ... +85	°C
m	Mass	230	g
	Standard	EN 50178: 1997 ⁴⁾	

Notes: ¹⁾ Excludes the electrical offset

²⁾ For a $di/dt = 50 \text{ A}/\mu\text{s}$

³⁾ Refer to derating curves in the technical file to avoid excessive core heating at high frequency

⁴⁾ Regarding compliance towards IEC 61000-4-3 (EN 61000-6-2 (2005)): variation of the offset between 80 MHz and 1 GHz with a field intensity of 10 [V/m].

Features

- Open loop transducer using Hall effect
- Panel mounting-Horizontal or Vertical
- Insulating plastic case recognized according to UL 94-V0.

Advantages

- Very good linearity
- Very good accuracy
- Low temperature drift
- Wide frequency bandwidth
- Very low insertion losses
- High immunity to external interference
- Current overload capability
- Low power consumption.

Applications

- AC variable speed drives and servo motor drives
- Static converters for DC motor drives
- Battery supplied applications
- Uninterruptible Power Supplies (UPS)
- Switched Mode Power Supplies (SMPS)
- Power supplies for welding applications.

Application domain

- Industrial.

Current Transducer HTA 100 ... 1000-S

Insulation characteristics

U_d	RMS voltage for AC insulation test ¹⁾ , 50 Hz, 1 min	4.0	kV
\hat{U}_w	Impulse withstand voltage 1.2/50 μ s	> 7.3	kV
		Min	
d_{cp}	Creepage distance	7.2	mm
d_{ci}	Clearance	7.2	mm
CTI	Comparative Tracking Index (group IIIa)	600	

Note: ¹⁾ With the primary conductor located in the upper half of the aperture.

Applications examples

According to EN 50178 and IEC 61010-1 standards and following conditions:

- Over voltage category III
- Pollution degree PD2
- Non-uniform field

	EN 50178	IEC 61010-1
$d_{cp}, d_{ci}, \hat{U}_w$	Rated insulation voltage	Nominal voltage
Basic insulation	600 V	600 V
Reinforced insulation	300 V	300 V

Safety

This transducer must be used in limited-energy secondary circuits according to IEC 61010-1.



This transducer must be used in electric/electronic equipment with respect to applicable standards and safety requirements in accordance with the manufacturer's operating instructions.



Caution, risk of electrical shock

When operating the transducer, certain parts of the module can carry hazardous voltage (eg. primary busbar, power supply).

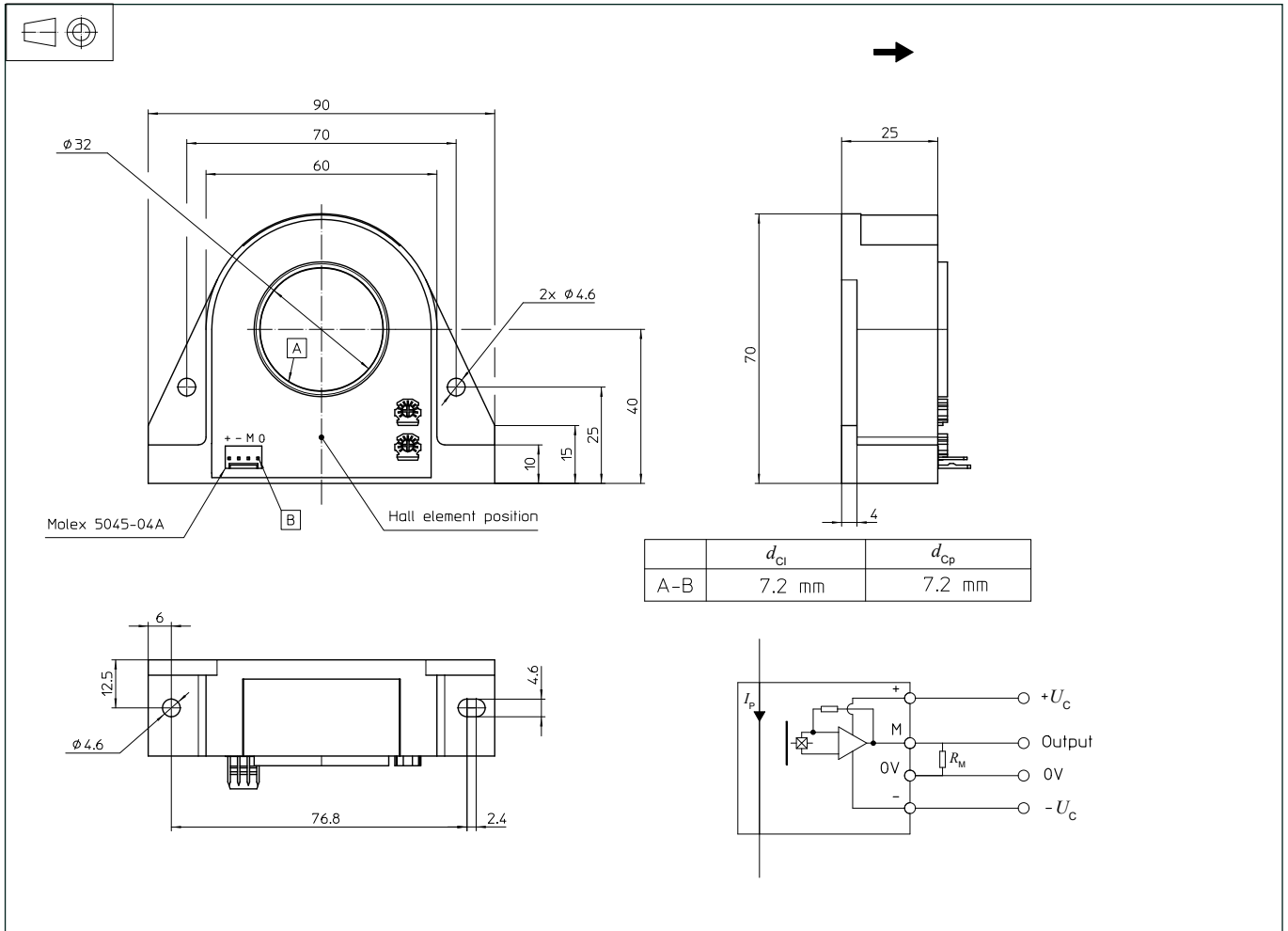
Ignoring this warning can lead to injury and/or cause serious damage.

This transducer is a build-in device, whose conducting parts must be inaccessible after installation.

A protective housing or additional shield could be used.

Main supply must be able to be disconnected.

Dimensions HTA 100 ... 1000-S (in mm)



Mechanical characteristics

- General tolerance ± 1 mm
- Primary through-hole $\varnothing 32$ mm
- Connection of secondary Molex 5045-04A
- Transducer fastening
 - Vertical position
 - 1 hole and 1 notch
 - $\varnothing 4.6$ mm
 - 2 steel screws M4
 - Horizontal position
 - 2 holes $\varnothing 4.6$ mm
 - 2 steel screws M4
- Recommended fastening torque 0.75 N·m (± 10 %)

Remarks

- V_{out} is positive when I_p flows in the direction of the arrow.
- Temperature of the primary conductor should not exceed 90 °C.
- Installation of the transducer must be done unless otherwise specified on the datasheet, according to LEM Transducer Generic Mounting Rules. Please refer to LEM document N°ANE120504 available on our Web site: [Products/Product Documentation](#).
- Dynamic performances (di/dt and response time) are best with a single bar completely filling the primary hole.
- This is a standard model. For different versions (supply voltages, turns ratios, unidirectional measurement ...), please contact us.