

PART NAME: KNOB

SCALE: 1:1

DATE: 12/12/95

DR. BY HD



DESIGNERS & MANUFACTURERS OF KNOBS, HANDLES, CASES & CUSTOM PLASTIC COMPONENTS

P/N 2837-L

THIS DRAWING IS THE PROPERTY OF DAVIES MOLDING COMPANY. IS SUBMITTED SOLELY AS A DESIGN OR ENGINEERING PROJECT. WE ACCEPT NO RESPONSIBILITY WHATSOEVER FOR THE PRACTICAL APPLICATION OF THE PIECES MADE TO THIS DESIGN.

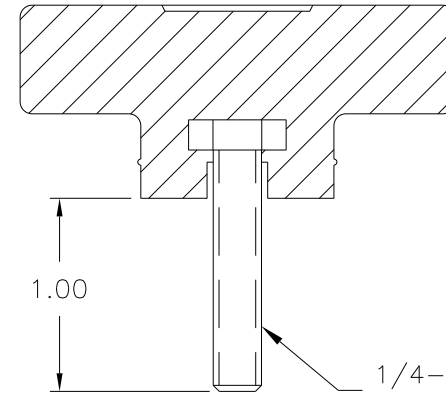
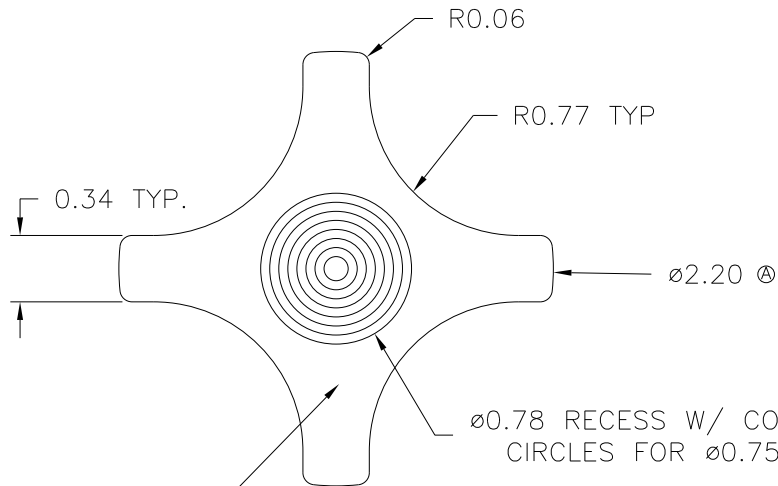
DO NOT SCALE DRAWING

MNO. 73

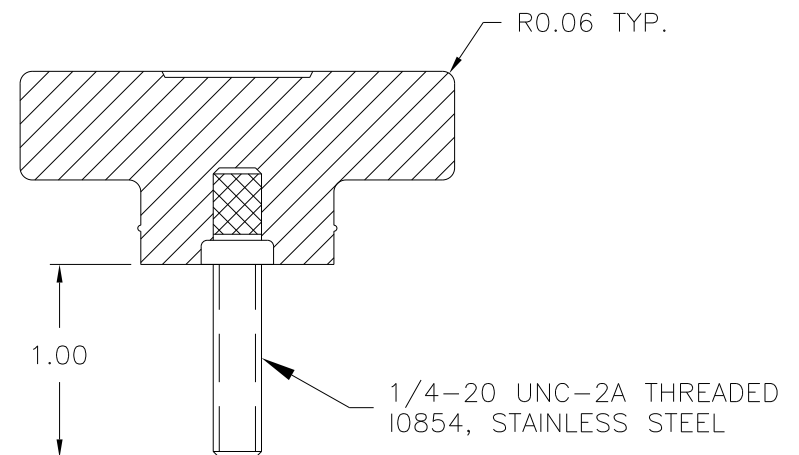
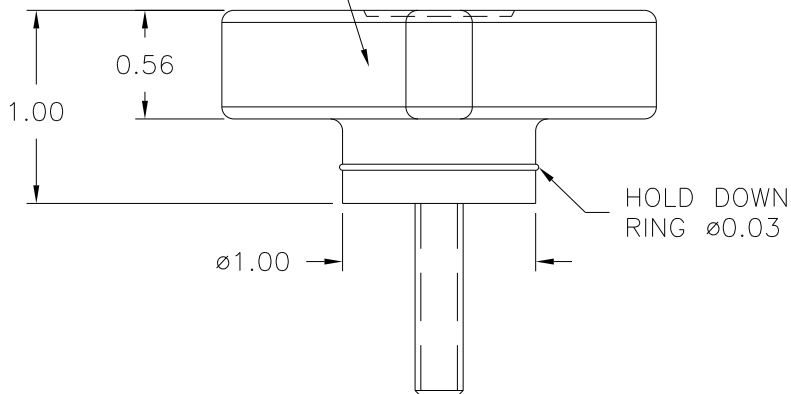
CAVITY	2837
CAVITY PLUG	2837
CORE	2837
SLEEVE	M-2837
PIN	2837-C
INSERT	I0854

ALTERNATE TOOL SET-UP

PIN	2837-L
INSERT	I2407



TEXTURED OUTSIDE SURFACES (UT-1090)



Ⓓ MATERIAL: NYLON 6/6 (ZY2), (ZY6)  
OR ENGINEERING APPROVED EQUIVALENT  
COLOR: BLACK

TOLERANCES: UNLESS OTHERWISE SPECIFIED	DO NOT SCALE DRAWING	D	WAS CLC, ADDED ZY6	JAM	6/25/12
		C	ADDED ALT INSERT	RF	10/2/09
DECIMALS: X.XXX ± .005 X.XX ± .015	MM: X.XX ± 0.15MM X.X ± 0.4MM	B	ADDED MAT. CODE	DS	1/8/07
		A	2.20 WAS 2.25	DS	4/10/06
FRACTIONS ± 1/64	ANG. ± 1°	-	REDRAWN	TL	11/22/99

CHANGES