

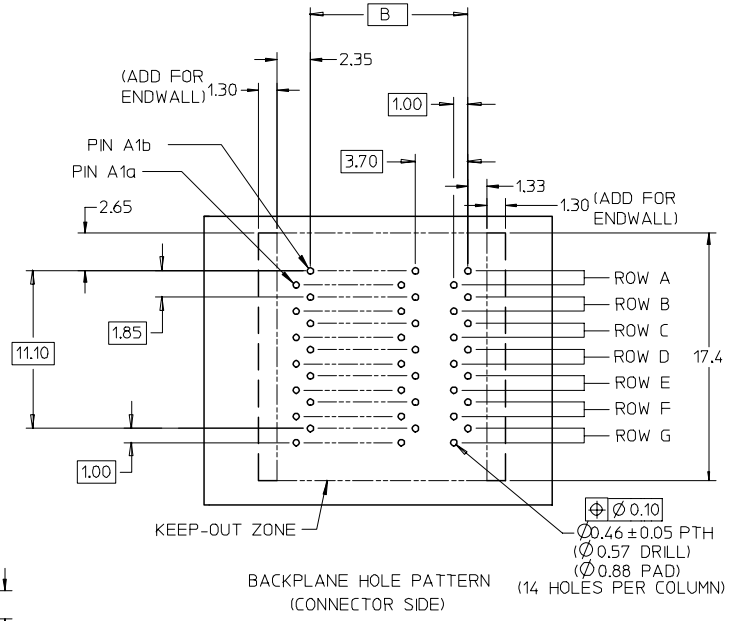
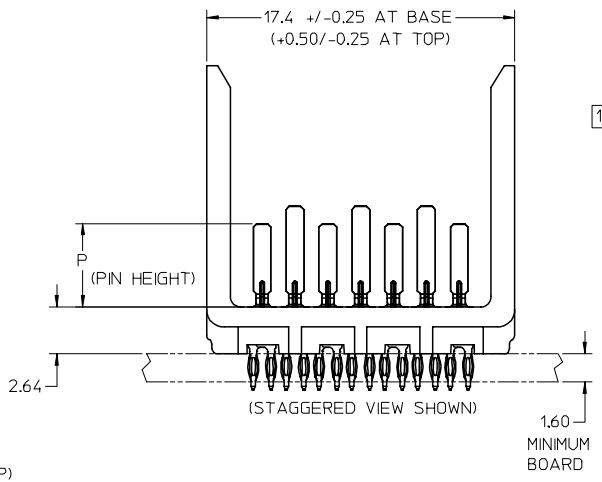
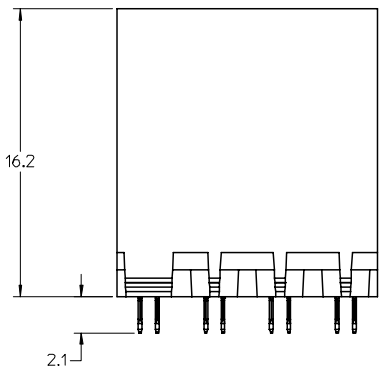
**76015-\*\*\*\***

MODULE TYPE -- TAIL PLATING TYPE  
 UNGUIDED -- TIN/LEAD = 0  
 UNGUIDED -- TIN ONLY = 1

# OF COLUMNS  
 4 = 4 COL  
 6 = 6 COL  
 1 = 10 COL

PIN LENGTH (P)  
 2 = 3.90  
 3 = 4.70  
 4 = 5.70  
 5 = 4.70 & 5.70 STAGGERED

PART STYLE  
 0 = OPEN ENDS  
 1 = LEFT END WALL  
 2 = DUAL END WALL  
 3 = RIGHT END WALL



- NOTES:
1. MATERIALS: HOUSING - LIQUID CRYSTAL POLYMER (LCP) GLASS-FILLED, UL94V-0  
TERMINALS - HIGH PERFORMANCE COPPER ALLOY
  2. FINISH: 30uIN MIN. GOLD IN CONTACT AREA, SELECTIVE TIN/LEAD OR SELECTIVE TIN ON PCB TAILS. NICKEL OVERALL.
  3. REFER TO MOLEX PRODUCT SPECIFICATION PS-75710-999 FOR PERFORMANCE SPECIFICATIONS.
  4. FOR MIXED CONTACT MATING LENGTHS, CONSULT MOLEX FOR AVAILABILITY.
  5. THIS PART CONFORMS TO CLASS B REQUIREMENTS OF COSMETIC SPEC PS-45499-002
  6. PACKAGE PER: PK-70873-125.
  7. REFER TO PCB ROUTING GUIDE FOR ANTIPAD AND ROUTING RECOMMENDATIONS.

|               |                     |            |
|---------------|---------------------|------------|
| UPDATE TOL    | FC NO: UCP2008-1145 | 2007/11/19 |
| DRW: BPSZCZOR | CHKD: JLAURX        | 2007/11/19 |
| APPR: JLAURX  | REV: 0              | 2007/11/19 |

| QUALITY SYMBOLS |  |
|-----------------|--|
|                 |  |

| GENERAL TOLERANCES (UNLESS SPECIFIED) |      |
|---------------------------------------|------|
| mm                                    | INCH |
| 4 PLACES ±---                         | ±--- |
| 3 PLACES ±---                         | ±--- |
| 2 PLACES ±0.13                        | ±--- |
| 1 PLACE ±0.25                         | ±--- |
| ANGULAR ±1/2°                         |      |

|   |                     |  |                            |
|---|---------------------|--|----------------------------|
| DIMENSION STYLE<br><b>MM ONLY</b>   | SCALE<br><b>5:1</b> | DESIGN UNITS<br><b>METRIC</b>  | THIRD ANGLE PROJECTION     |
| DRAWN BY<br>BPSZCZOR  | DATE<br>2007/01/25  | TITLE<br><b>I-TRAC BACKPLANE 7 ROW UNGUIDED ASSEMBLY SALES DRAWING</b> |                            |
| CHECKED BY<br>JLAURX  | DATE<br>2007/02/06  | MOLEX INCORPORATED   |                            |
| APPROVED BY<br>CBIXLER  | DATE<br>2007/02/06  | DOCUMENT NO.<br><b>SD-76015-001</b>                                    | SHEET NO.<br><b>1 OF 4</b> |
| DRAFT WHERE APPLICABLE MUST REMAIN WITHIN DIMENSIONS  |                     |  |                            |
| THIS DRAWING CONTAINS INFORMATION THAT IS PROPRIETARY TO MOLEX INCORPORATED AND SHOULD NOT BE USED WITHOUT WRITTEN PERMISSION |                     |  |                            |

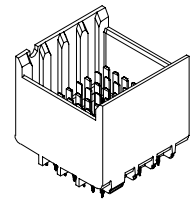
13 12 11 10 9 8 7 6 5 4 3 2 1

J  
I  
H  
G  
F  
E  
D  
C  
B  
A

J  
I  
H  
G  
F  
E  
D  
C  
B  
A

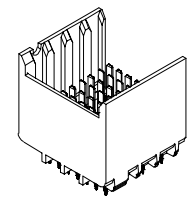
| MATERIAL NUMBER | # OF COLUMNS | DIM 'A' | DIM 'B' |
|-----------------|--------------|---------|---------|
| 76015-*42*      | 4            | 17.3    | 11.10   |
| 76015-*62*      | 6            | 24.7    | 18.50   |
| 76015-*12*      | 10           | 39.5    | 33.30   |

DUAL END STYLE



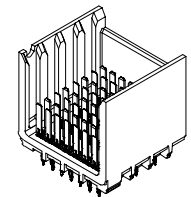
| MATERIAL NUMBER | # OF COLUMNS | DIM 'A' | DIM 'B' |
|-----------------|--------------|---------|---------|
| 76015-*41*      | 4            | 16.0    | 11.10   |
| 76015-*61*      | 6            | 23.4    | 18.50   |
| 76015-*11*      | 10           | 38.2    | 33.30   |

LEFT END STYLE



| MATERIAL NUMBER | # OF COLUMNS | DIM 'A' | DIM 'B' |
|-----------------|--------------|---------|---------|
| 76015-*43*      | 4            | 16.0    | 11.10   |
| 76015-*63*      | 6            | 23.4    | 18.50   |
| 76015-*13*      | 10           | 38.2    | 33.30   |

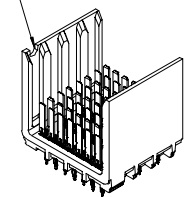
RIGHT END STYLE



| MATERIAL NUMBER | # OF COLUMNS | DIM 'A' | DIM 'B' |
|-----------------|--------------|---------|---------|
| 76015-*40*      | 4            | 14.7    | 11.10   |
| 76015-*60*      | 6            | 22.1    | 18.50   |
| 76015-*10*      | 10           | 36.9    | 33.30   |

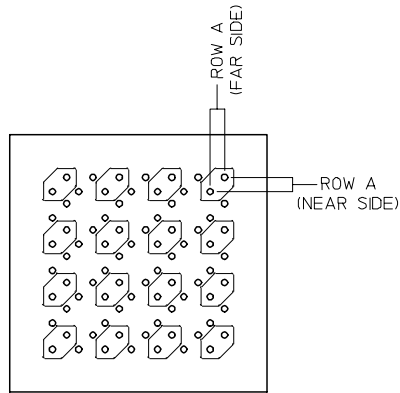
OPEN END STYLE

NOTCH DESIGNATES ROW A

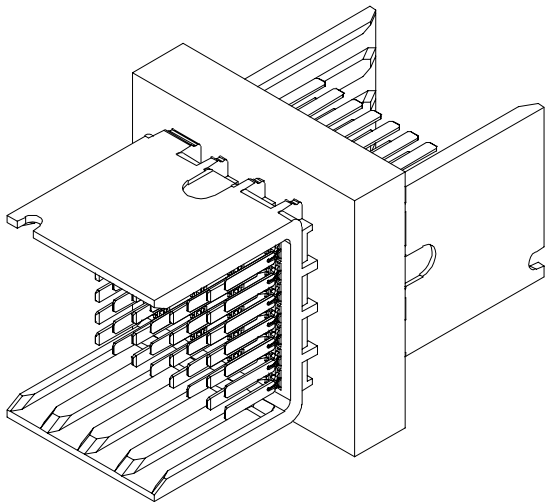


|  |                               |  |                      |                            |                      |                |                        |                        |   |              |                     |
|--|-------------------------------|--|----------------------|----------------------------|----------------------|----------------|------------------------|------------------------|---|--------------|---------------------|
| INITIAL RELEASE<br>FCC NO: UCP2008-1145<br>DRAWN BY: BPI SZCZOR 2007/11/19<br>CHKD: JL AURX 2007/11/19<br>APPR: JL AURX 2007/11/19<br>REV: | QUALITY SYMBOLS<br>▽=0<br>▽=0 | GENERAL TOLERANCES (UNLESS SPECIFIED)                      |                      | DIMENSION STYLE<br>MM ONLY |                      | SCALE<br>4:1   | DESIGN UNITS<br>METRIC | THIRD ANGLE PROJECTION |   |              |                     |
|  |                               | 4 PLACES ± --- ± ---                                       | 3 PLACES ± --- ± --- | 2 PLACES ± 0.13 ± ---      | 1 PLACE ± 0.25 ± --- | ANGULAR ± 1/2° | DRAWN BY<br>BPI SZCZOR | DATE<br>2007/01/25     | TITLE<br>I-TRAC BACKPLANE 7 ROW<br>UNGUIDED ASSEMBLY<br>SALES DRAWING |              |                     |
|  |                               | DRAFT WHERE APPLICABLE<br>MUST REMAIN<br>WITHIN DIMENSIONS |                      |                            |                      |                | CHECKED BY<br>JL AURX  | DATE<br>2007/02/06     | MOLEX INCORPORATED  |              |                     |
|  |                               | SEE CHART  |                      |                            |                      |                | APPROVED BY<br>CBIXLER | DATE<br>2007/02/06     | MATERIAL NO.<br>SD-76015-001  | DOCUMENT NO. | SHEET NO.<br>2 OF 4 |

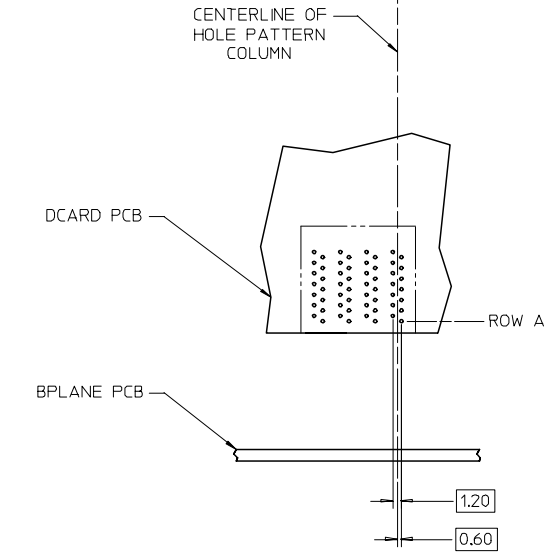
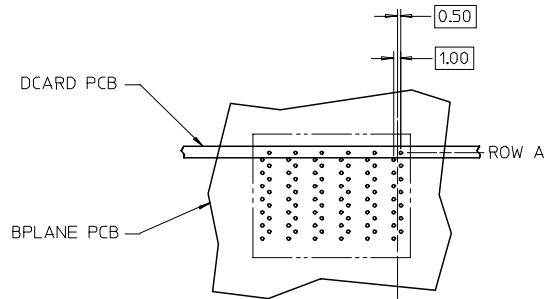
12 11 10 9 8 7 6 5 4 3 2 1



ORTHOGONAL MIDPLANE HOLE PATTERN  
(16 SIGNAL PAIRS SHARE VIAS)

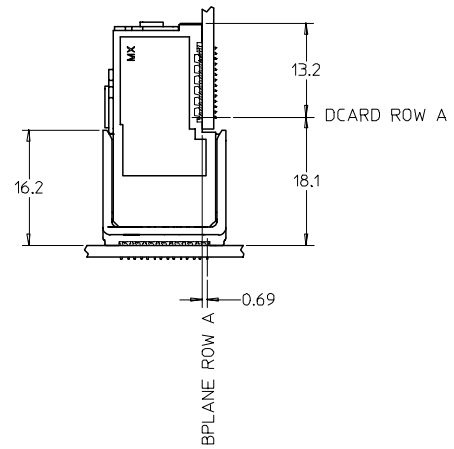


16 PAIR ORTHOGONAL MIDPLANE NODE  
(USES TWO 4 COLUMN 7 ROW HEADERS)



7 ROW I-TRAC  
BOARD RELATIONSHIPS

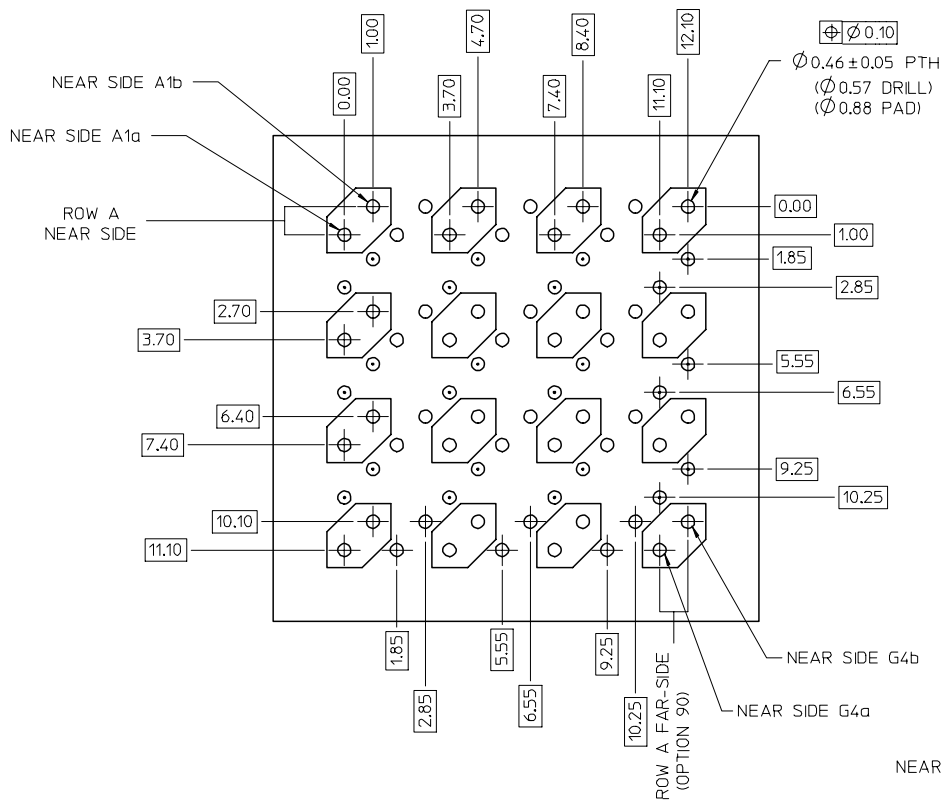
SCALE 2:1



|   |                               |   |         |  |                    |   |                           |                              |
|---|-------------------------------|---|---------|--|--------------------|---|---------------------------|------------------------------|
| UPDATE DIMS<br>EC NO: UCP2008-1145<br>DRAWN: BPI/SZCZOR 2007/11/19<br>CHKD: JL AURX 2007/11/19<br>APPR: JL AURX 2007/11/19<br>REVISIONS | QUALITY SYMBOLS<br>▽=0<br>▽=0 | GENERAL TOLERANCES (UNLESS SPECIFIED)   |         | DIMENSION STYLE<br>MM ONLY   |                    | SCALE<br>4:1  | DESIGN UNITS<br>METRIC    | THIRD ANGLE PROJECTION       |
|   |                               | 4 PLACES ± --- ± ---<br>3 PLACES ± --- ± ---<br>2 PLACES ± 0.13 ± ---<br>1 PLACE ± 0.25 ± ---<br>ANGULAR ± 1/2° | mm INCH | DRAWN BY<br>BPI/SZCZOR   | DATE<br>2007/01/25 | TITLE<br>I-TRAC BACKPLANE 7 ROW<br>UNGUIDED ASSEMBLY<br>SALES DRAWING | MATERIAL NO.<br>SEE CHART | DOCUMENT NO.<br>SD-76015-001 |
| DRAFT WHERE APPLICABLE<br>MUST REMAIN<br>WITHIN DIMENSIONS  |                               |   |         | THIS DRAWING CONTAINS INFORMATION THAT IS PROPRIETARY TO MOLEX<br>INCORPORATED AND SHOULD NOT BE USED WITHOUT WRITTEN PERMISSION |                    |   |                           |                              |

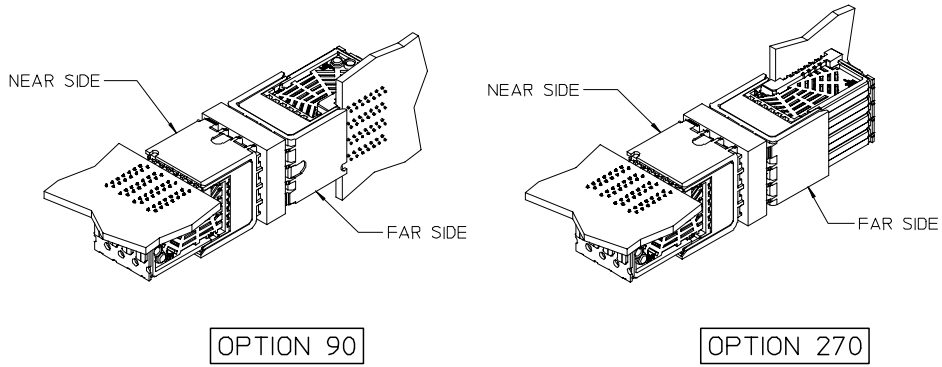
13 12 11 10 9 8 7 6 5 4 3 2 1

J  
I  
H  
G  
F  
E  
D  
C  
B  
A



| ORTHO PIN MAPPING                |         |         |         |
|----------------------------------|---------|---------|---------|
| OPTION 90 (NEAR SIDE - FAR SIDE) |         |         |         |
| A1b-G4b                          | A2b-E4b | A3b-C4b | A4b-A4b |
| A1a-G4a                          | A2a-E4a | A3a-C4a | A4a-A4a |
| C1b-G3b                          | C2b-E3b | C3b-C3b | C4b-A3b |
| C1a-G3a                          | C2a-E3a | C3a-C3a | C4a-A3a |
| E1b-G2b                          | E2b-E2b | E3b-C2b | E4b-A2b |
| E1a-G2a                          | E2a-E2a | E3a-C2a | E4a-A2a |
| G1b-G1b                          | G2b-E1b | G3b-C1b | G4b-A1b |
| G1a-G1a                          | G2a-E1a | G3a-C1a | G4a-A1a |

| ORTHO PIN MAPPING                 |         |         |         |
|-----------------------------------|---------|---------|---------|
| OPTION 270 (NEAR SIDE - FAR SIDE) |         |         |         |
| A1b-A1a                           | A2b-C1a | A3b-E1a | A4b-G1a |
| A1a-A1b                           | A2a-C1b | A3a-E1b | A4a-G1b |
| C1b-A2a                           | C2b-C2a | C3b-E2a | C4b-G2a |
| C1a-A2b                           | C2a-C2b | C3a-E2b | C4a-G2b |
| E1b-A3a                           | E2b-C3a | E3b-E3a | E4b-G3a |
| E1a-A3b                           | E2a-C3b | E3a-E3b | E4a-G3b |
| G1b-A4a                           | G2b-C4a | G3b-E4a | G4b-G4a |
| G1a-A4b                           | G2a-C4b | G3a-E4b | G4a-G4b |



- NOTES:
- SIGNAL PAIRS (SHARED VIAS)
  - NEAR SIDE GROUNDS
  - FAR SIDE GROUNDS

|   |                       |  |   |                     |                          |  |  |
|---|-----------------------|--|---|---------------------|--------------------------|--|--|
| INITIAL RELEASE<br>EC NO: UCP2008-1145<br>DRAWN: BPSZCZOR 2007/11/19<br>CHKD: JL AURX 2007/11/19<br>APPR: JL AURX 2007/11/19<br>REVISIONS | QUALITY SYMBOLS       | GENERAL TOLERANCES (UNLESS SPECIFIED)                | DIMENSION STYLE   | SCALE               | DESIGN UNITS             | THIRD ANGLE PROJECTION                                       |  |
|   |                       | mm INCH  | MM ONLY   | 4:1                 | METRIC                   |  |  |
|   |                       | 4 PLACES ± --- ± ---                                 | DRAWN BY DATE   | BPSZCZOR 2007/01/25 | TITLE                    | I-TRAC BACKPLANE 7 ROW<br>UNGUIDED ASSEMBLY<br>SALES DRAWING |  |
|   |                       | 3 PLACES ± --- ± ---                                 | CHECKED BY DATE   | JL AURX 2007/02/06  | molex MOLEX INCORPORATED |  |  |
|   | 2 PLACES ± 0.13 ± --- | APPROVED BY DATE                                     | CBIXLER 2007/02/06  | DOCUMENT NO.        | SD-76015-001             |  |  |
|   | 1 PLACE ± 0.25 ± ---  | MATERIAL NO.   | SEE CHART   | SHEET NO. 4 OF 4    |                          |  |  |
|   | ANGULAR ± 1/2°        | DRAFT WHERE APPLICABLE MUST REMAIN WITHIN DIMENSIONS |   |                     |                          |  |  |
|   |                       |  | THIS DRAWING CONTAINS INFORMATION THAT IS PROPRIETARY TO MOLEX INCORPORATED AND SHOULD NOT BE USED WITHOUT WRITTEN PERMISSION |                     |                          |  |  |

12 11 10 9 8 7 6 5 4 3 2 1