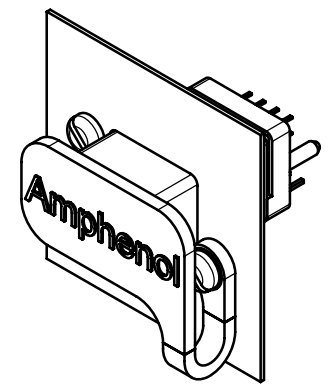
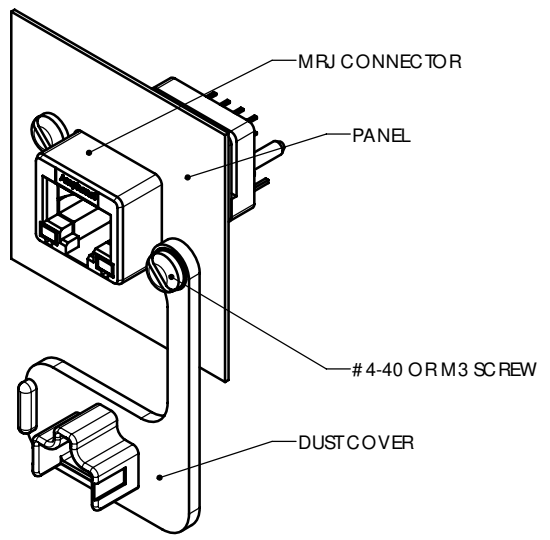
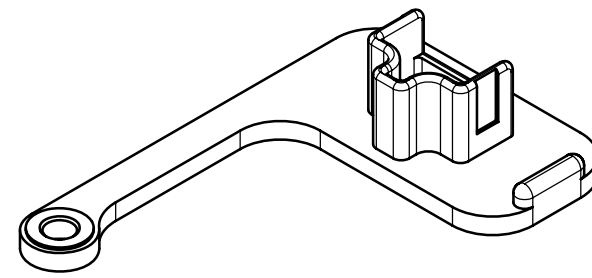
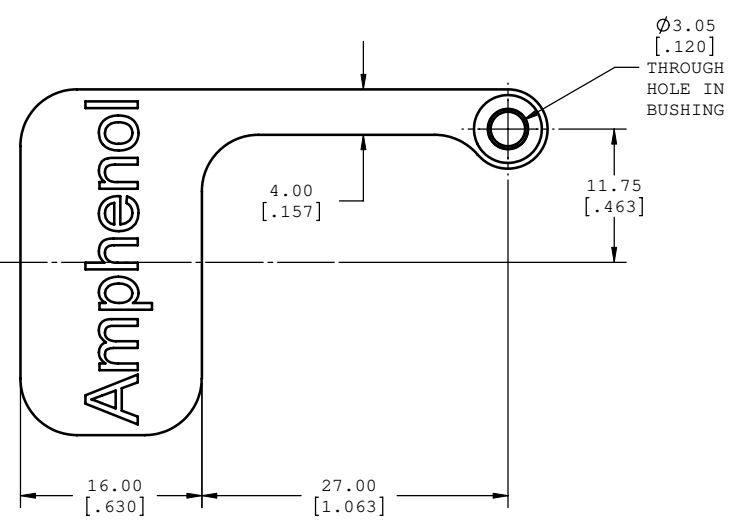
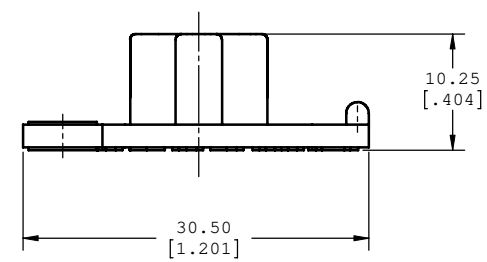
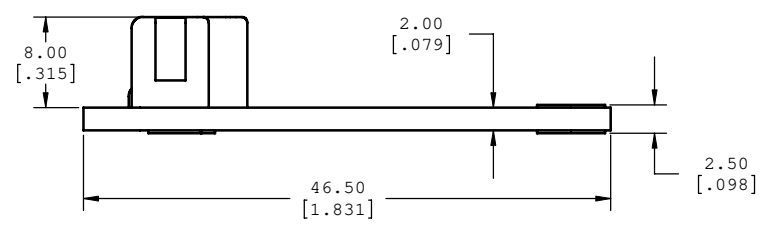


REVISIONS			
REV	ECN, ERN NO.	DATE	APPRD.
A	PRODUCT DRAWING	JUN28/07	K.L.
B	ADD MRJ-2586-20BP (EAR 13215)	FEB07/08	K.L.



AMPHENOL PART NUMBER	COVER COLOR
MRJ-2586-10BP	GREY
MRJ-2586-20BP	BLACK

**NOTES:**

- MATERIAL:
  - DUST COVER - SILICONE RUBBER, COLOR - SEE CHART.
  - BUSHING - BRASS, NICKEL PLATED.
- OPERATING TEMPERATURE: -40°C TO +105°C.
- PART IS ROHS COMPLIANT PER EU DIRECTIVE 2002/95/EC AND AMENDMENTS.
- PART SUPPLIED BULK PACKED.

TYPICAL APPLICATION MRJ CONNECTOR WITH DUST COVER  
SCALE 2:1

DO NOT SCALE DRAWING  
THIS DOCUMENT CONTAINS PROPRIETARY INFORMATION AND SUCH INFORMATION MAY NOT BE DISCLOSED TO OTHERS FOR ANY PURPOSE OR USED FOR MANUFACTURING PURPOSES WITHOUT PERMISSION FROM AMPHENOL CANADA CORP.

PROPRIETARY AND CONFIDENTIAL  
THIS DOCUMENT CONTAINS PROPRIETARY INFORMATION AND SUCH INFORMATION MAY NOT BE DISCLOSED TO OTHERS FOR ANY PURPOSE OR USED FOR MANUFACTURING PURPOSES WITHOUT WRITTEN PERMISSION FROM AMPHENOL CANADA CORP.

UNLESS OTHERWISE SPECIFIED:		DATE	Amphenol Canada Corp.
DIMENSIONS ARE IN MILLIMETERS		DRAWN A. DODDS JUN28/07	
TOLERANCES:		DESIGNED	TITLE
FRACTIONAL ±		CHECKED KLAMBE JUN28/07	
ANGULAR MATCH BEND ±		I.E. APPRD.	MRJ SERIES DUST COVER FOR RECEPTACLE CONNECTOR INTERNAL STYLE, RoHS COMPLIANT
TWO PLACE DECIMAL ±		G.A. APPRD.	
THREE PLACE DECIMAL ±		DWG. APPRD.	SIZE DWG. NO.
INTERPRET GEOMETRIC TOLERANCING PER:		ENG. REL. NO. EAR E13132	REV
MATERIAL		REF.	C P-MRJ-2586-X0BP B
NEXT ASSY	USED ON	DIMENSIONS ARE IN MILLIMETERS	CODED. NO.
APPLICATION	DO NOT SCALE DRAWING	SCALE 3:1	WEIGHT:
			SHEET 1 OF 1