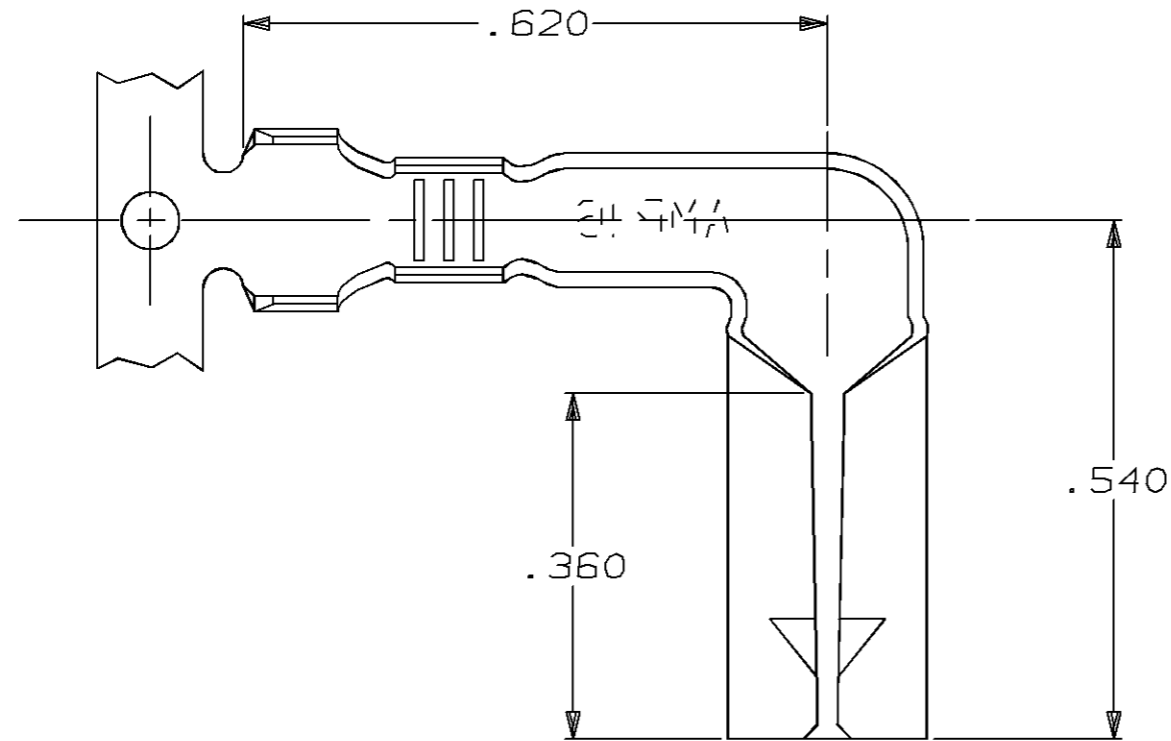
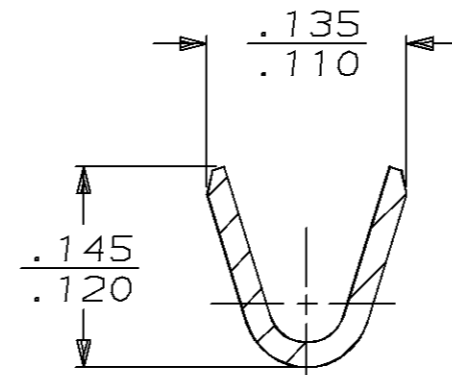
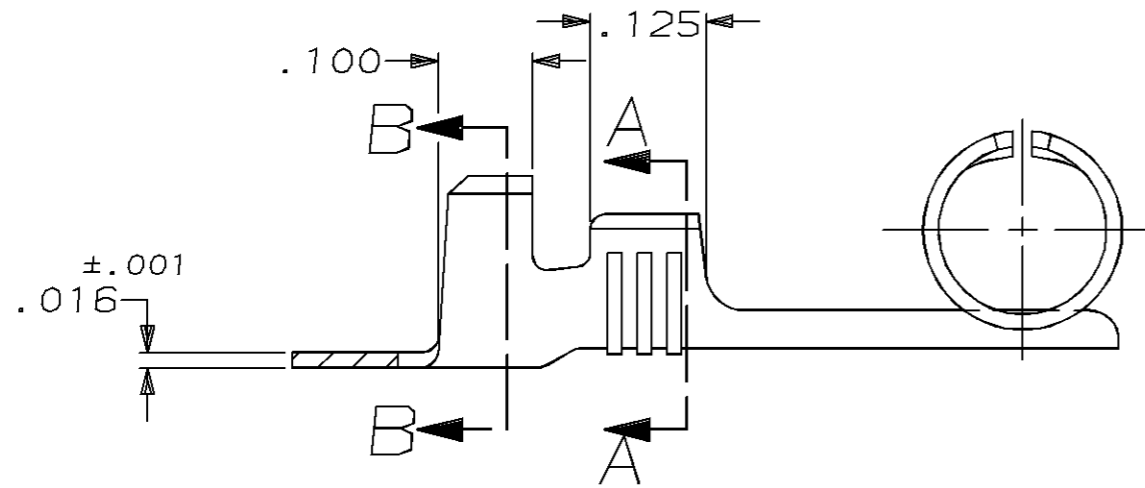


THIS DRAWING IS UNPUBLISHED. RELEASED FOR PUBLICATION, 19  
 © COPYRIGHT 19 BY AMP INCORPORATED. ALL INTERNATIONAL RIGHTS RESERVED.

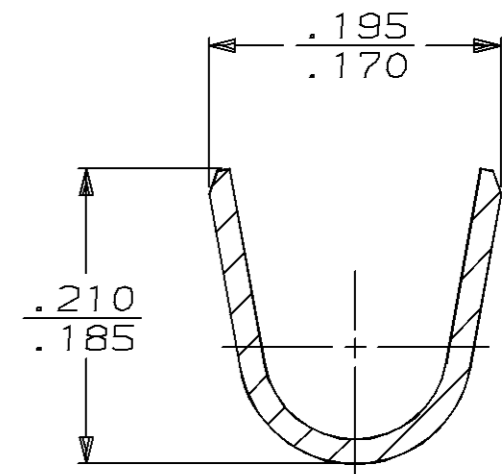
LOC	DIST	P	F	ZONE	LTR	REVISIONS	DATE	APPD
AF	50				F	OBSELETE -4 PER 0L10-0217-96	06/DEC/96	PF/GY



1 CONTINUOUS STRIP ON REELS  
 2 REVERSED REELED



SECTION A-A  
SCALE 8:1



SECTION B-B  
SCALE 8:1

OBSELETE	.100 .140 DIA	20-16 AWG	2	42749-4
	.100-.140 DIA	20-16 AWG		42749-1

TYPE	WIDTH	STRIP LENGTH ±.015	TYPE	WIDTH	±.002 HEIGHT	WIRE
F	.155	.190	F	.090	.065	16
					.057	18
					.053	20
INSUL BARREL CRIMP			WIRE BARREL CRIMP			

DO NOT SCALE PRINT. UNLESS SPECIFIED DIMENSIONS IN INCHES. TOLERANCES ON: 2 PLC DEC ± - 3 PLC DEC ± .015 ANGLES ± -	DR 5/2/90 P FORTNEY
MATERIAL #4 HARD BRASS	CHK 5/2/90 JR RUTH
FINISH	APPD 5/2/90 G YETTER
	APPD 5/2/90 R KUZO
	PRODUCT SPEC
	APPLICATION SPEC
	WEIGHT -

INSULATION RANGE			WIRE RANGE			PART NO		
AMP			AMP Incorporated Harrisburg, PA 17105-3608					
			NAME PIN RECEPTACLE, .180 DIA					
SIZE B	CAGE CODE 00779	DRAWING NO 42749						
SCALE 5:1	SHEET 1 OF 1							