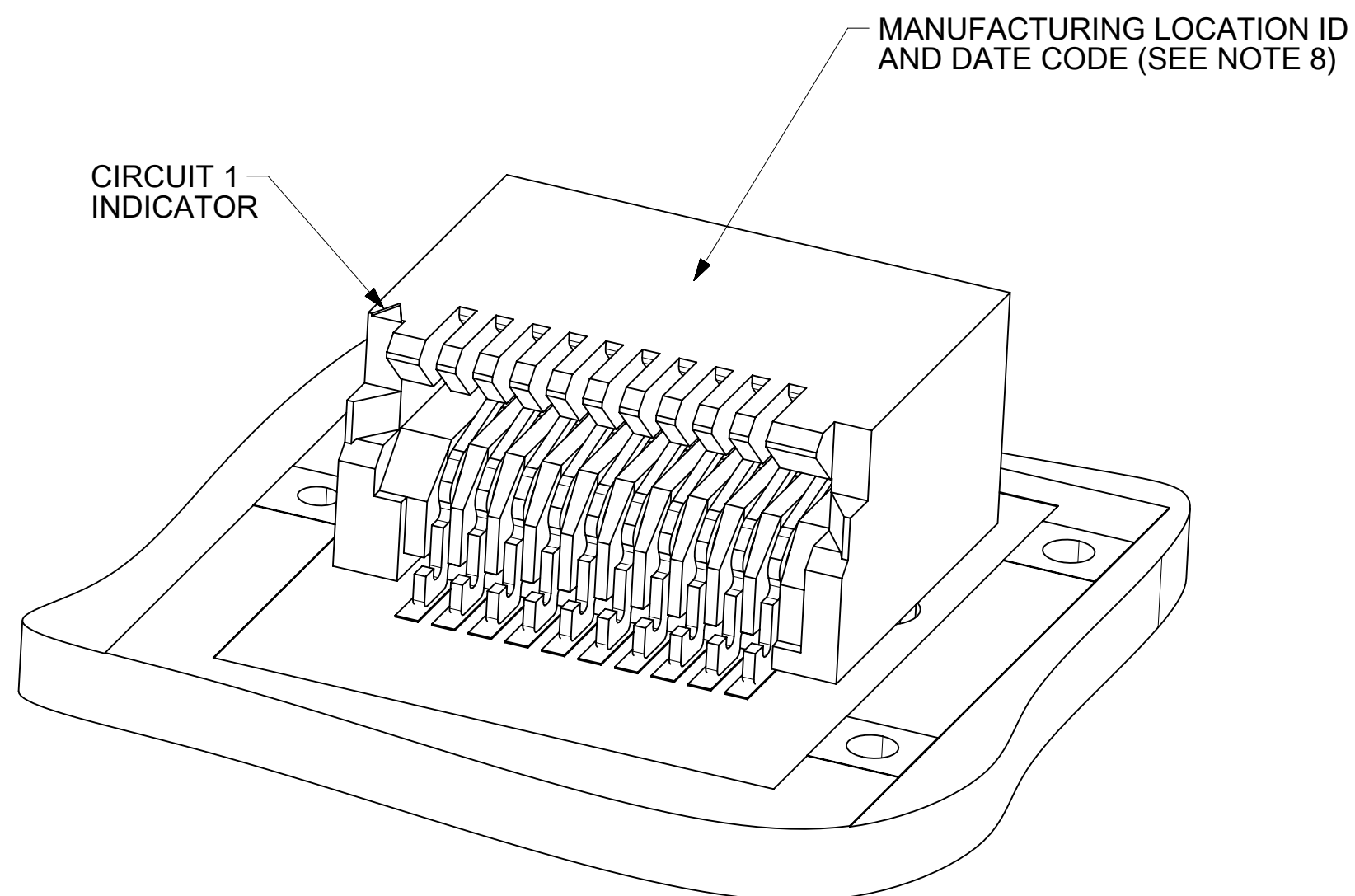


CKT SIZE	PART NUMBER	TOOLED	DESCRIPTION	DIMENSIONS				MULTI-SOURCE AGREEMENT	CIRCUIT BOARD LAYOUT
				"A"	"B"	"C"	"D"		
20	74441-0001	YES	PLATED PER NOTE 2	1.10/.043	11.00/.433	9.40/.370	9.60/.378	SFP	SEE SHEET 3
	74441-0004	NO*	PLATED PER NOTE 2	0.76/.030					
	74441-0010	YES	PLATED PER NOTE 3	1.10/.043					
	74441-0014	NO*	PLATED PER NOTE 3	0.76/.030					
	74441-0041	YES	PLATED PER NOTE 5	1.10/.043					
30	74441-0007	YES	PLATED PER NOTE 2	1.10/.043	15.00/.591	13.40/.528	13.60/.535	XFP	SEE SHEET 4
	74441-0017	YES	PLATED PER NOTE 3	1.10/.043					
70	74441-0003	YES	PLATED PER NOTE 2	1.10/.043	31.00/1.220	29.40/1.517	29.60/1.165	XENPAK XPAK X2	SEE SHEET 5

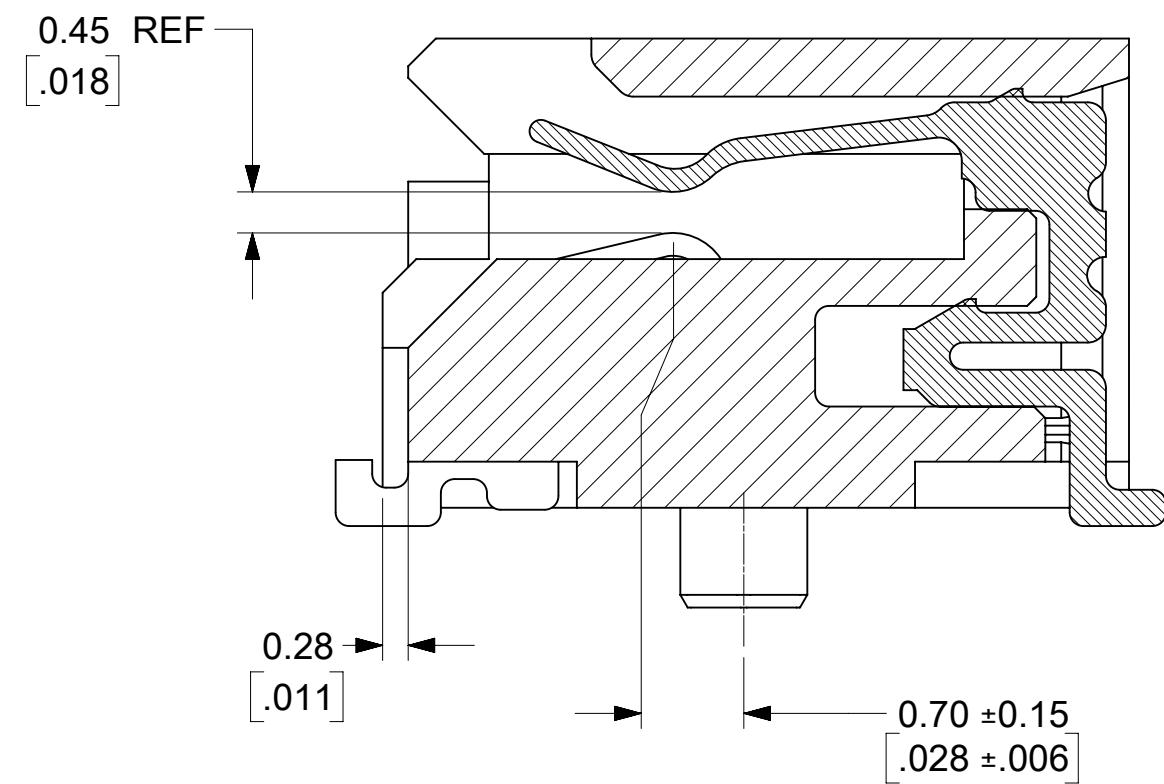
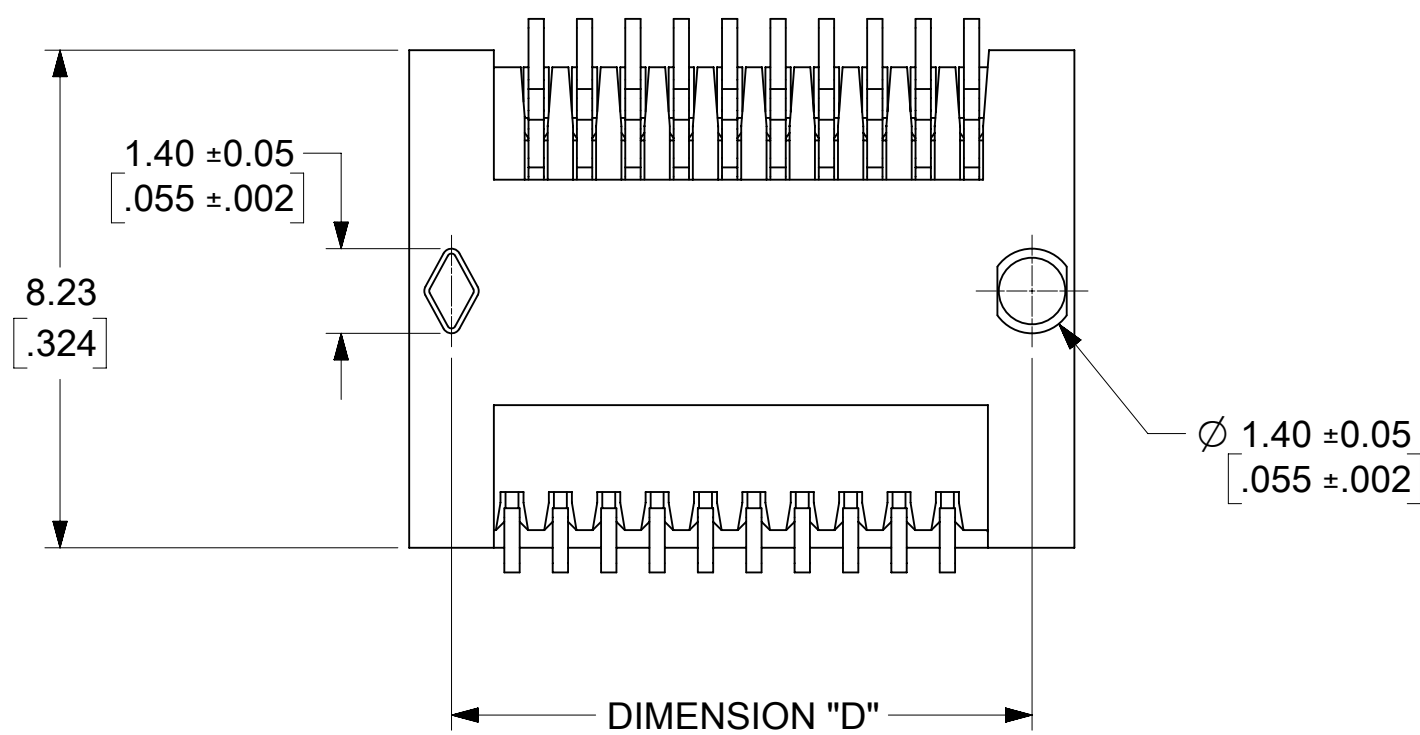
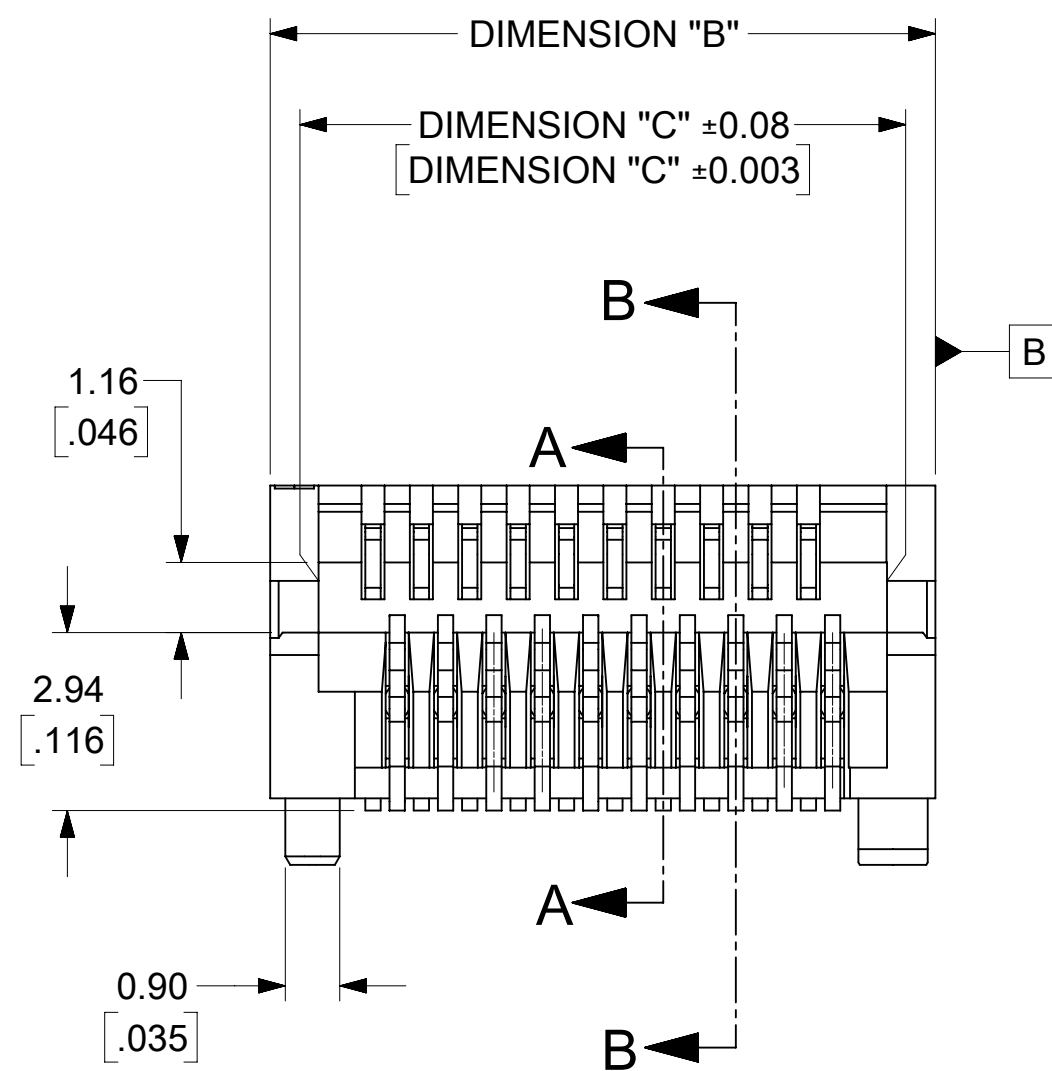
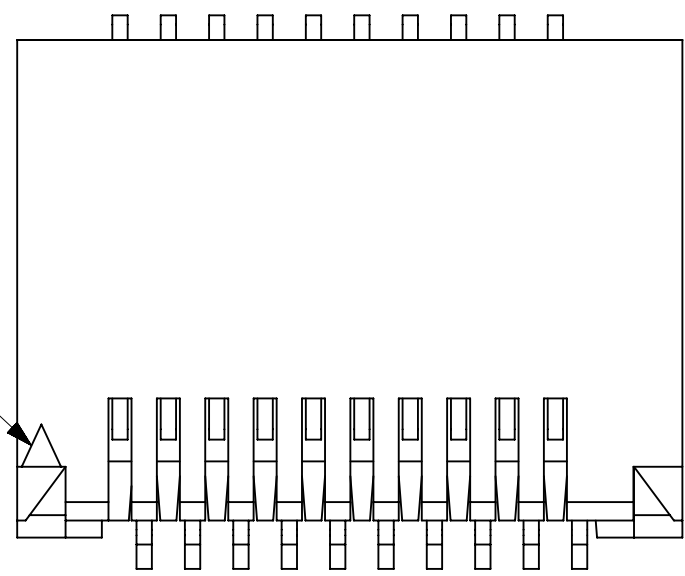
NOTES

- MATERIAL:
HOUSING - HIGH TEMPERATURE THERMOPLASTIC GLASS FILLED, UL 94V-0, BLACK
TERMINALS - COPPER ALLOY
- PLATING (SEE TABLE):
CONTACT AREA - 0.38 MICROMETER MINIMUM GOLD OVER NICKEL
SOLDER FOOT AREA - 2.54 MICROMETER MINIMUM TIN OVER NICKEL
- PLATING (SEE TABLE):
CONTACT AREA - 0.76 MICROMETER MINIMUM GOLD OVER NICKEL
SOLDER AREA - 2.54 MICROMETER MINIMUM TIN OVER NICKEL
- PLATING (SEE TABLE):
CONTACT AREA - 0.76 MICROMETER MINIMUM GOLD OVER 2.54 MICROMETERS MINIMUM NICKEL.
SOLDER AREA: GOLD FLASH OVER NICKEL.
- PLATING (SEE TABLE):
CONTACT AREA - 0.38 MICROMETER MINIMUM GOLD OVER NICKEL;
SOLDER AREA: GOLD FLASH OVER NICKEL.
- SOLDER FEET COPLANAR WITHIN 0.10/.004 FOR 20, 30 AND 40 CIRCUIT CONNECTORS, WITHIN 0.15/.006 FOR 50 AND 70 CIRCUIT CONNECTORS
- * CONTACT PLANT FOR MORE INFORMATION
- DATE CODE: 4 DIGIT (3 DIGIT DAY, 1 DIGIT YEAR)
- THE CIRCUIT 1 INDICATOR MAY VARY IN SIZE AND APPEARANCE.

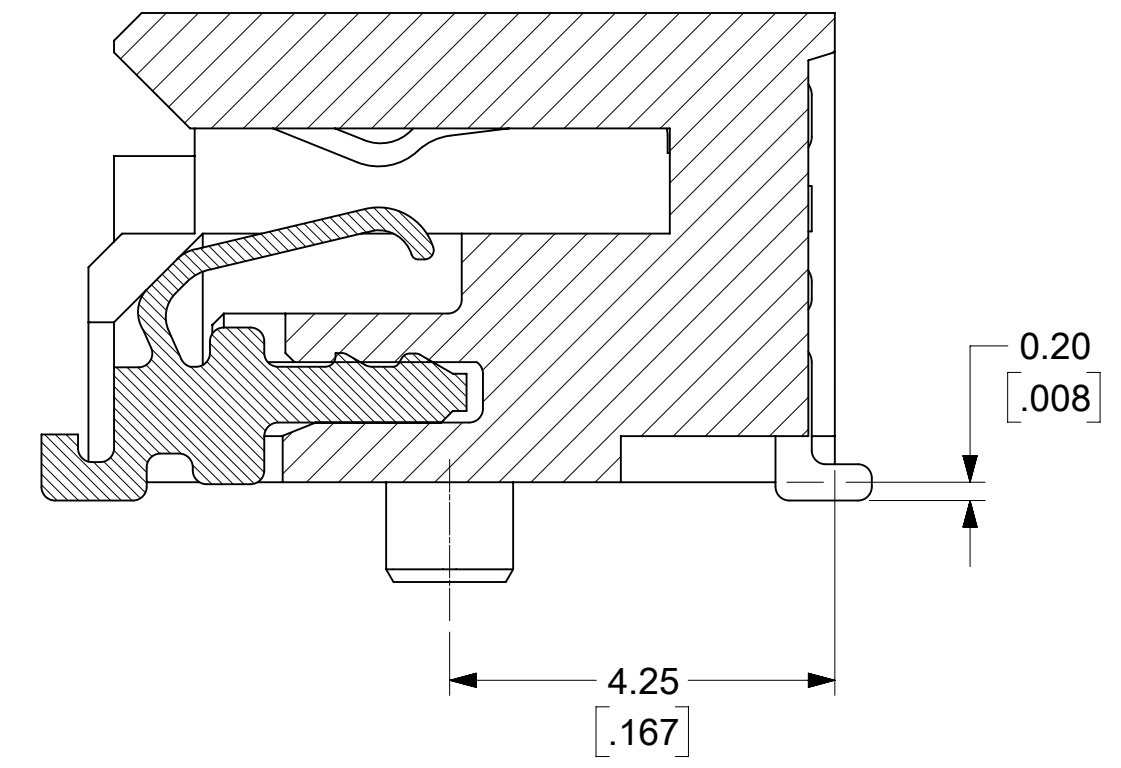
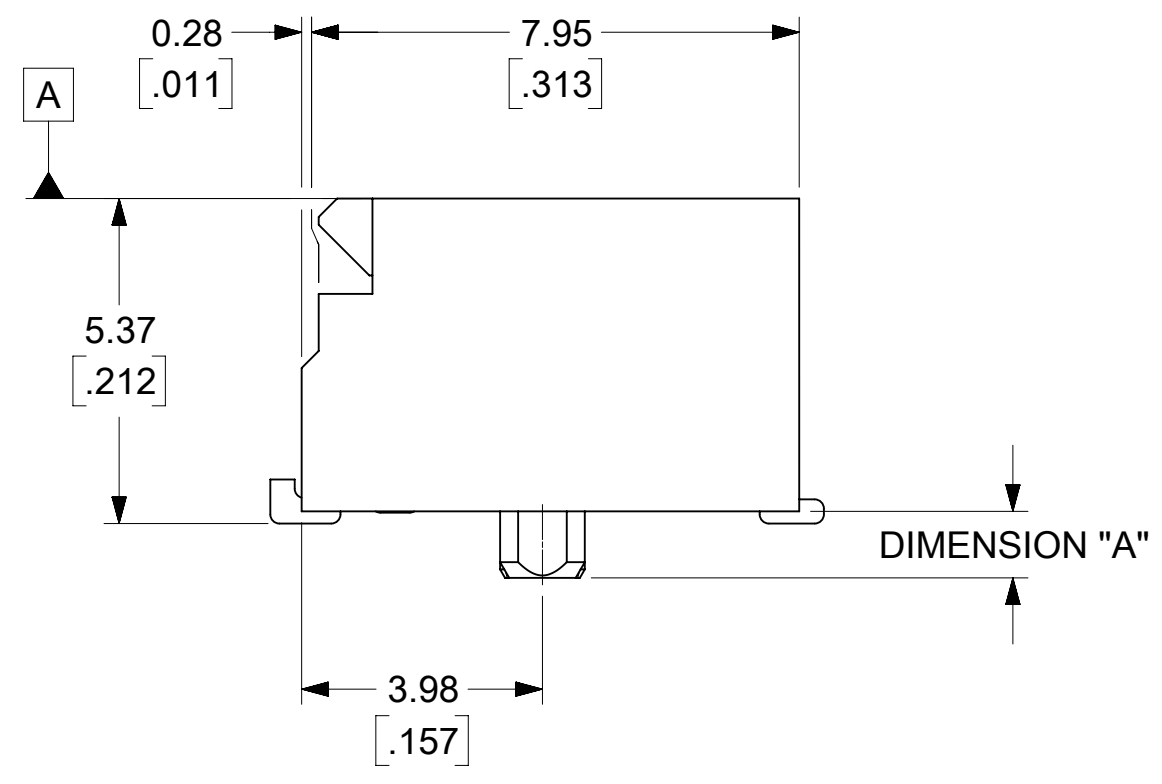


THIS DRAWING CONTAINS INFORMATION THAT IS PROPRIETARY TO MOLEX ELECTRONIC TECHNOLOGIES, LLC AND SHOULD NOT BE USED WITHOUT WRITTEN PERMISSION									
DIMENSION UNITS		SCALE		CURRENT REV DESC: OBSOLETE PART NUMBER AS PER PCN#510313					
MM/IN		8:1		molex SALES ASSEMBLY Z AXIS PLUGGABLE PCB CONNECTOR PRODUCT CUSTOMER DRAWING					
GENERAL TOLERANCES (UNLESS SPECIFIED)									
	MM		INCH	EC NO: 667545 DRWN: ABHISP1 2021/06/03 CHK'D: GGA 2021/07/05 APPR: GGA 2021/07/05 INITIAL REVISION: DRWN: HAVERY 2000/04/06 APPR: MBANAKIS 2000/04/06					
4 PLACES	±		±						
3 PLACES	±		± 0.005						
2 PLACES	±	0.13	± 0.01						
1 PLACE	±	0.25	±						
0 PLACES	±		±	DOCUMENT NUMBER		DOC TYPE		DOC PART REVISION	
ANGULAR TOL ± 0.5 °				SD-74441-001		PSD		001 AC	
DRAFT WHERE APPLICABLE MUST REMAIN WITHIN DIMENSIONS				THIRD ANGLE PROJECTION		DRAWING		SERIES	
				C-SIZE		74441		MATERIAL NUMBER	
				SEE TABLE		CUSTOMER		SHEET NUMBER	
				GENERAL MARKET				1 OF 5	

CIRCUIT 1 INDICATOR

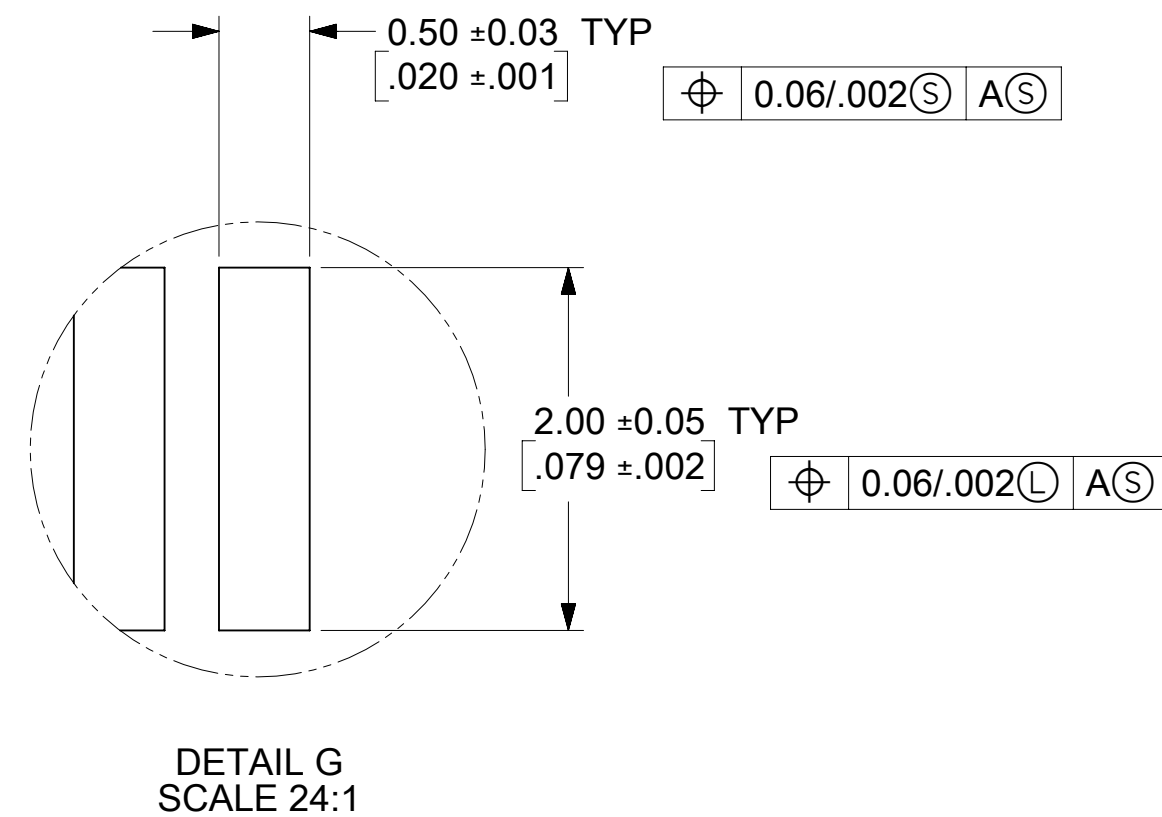
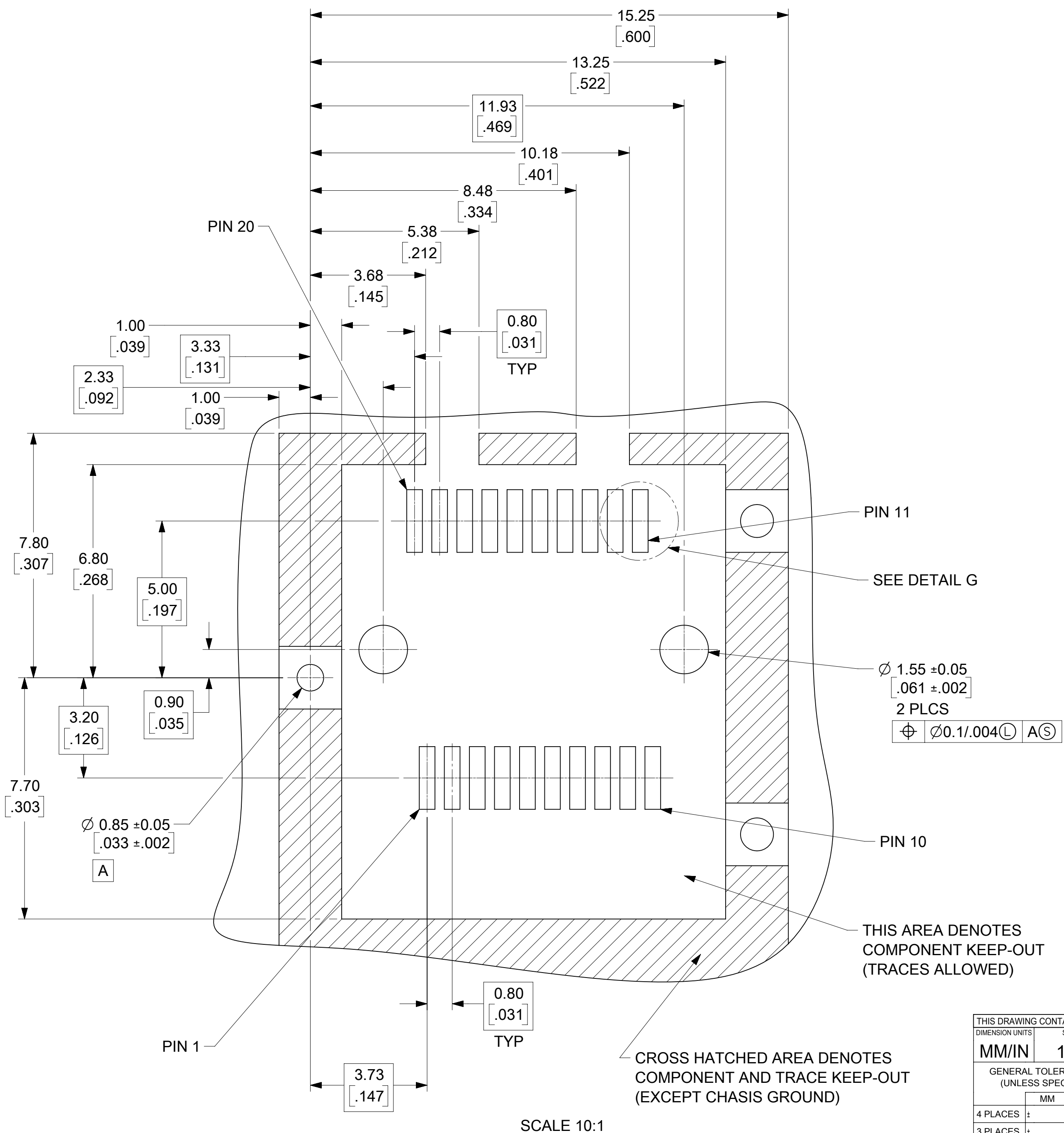


SECTION A-A
SCALE 12:1



SECTION B-B
SCALE 12:1

THIS DRAWING CONTAINS INFORMATION THAT IS PROPRIETARY TO MOLEX ELECTRONIC TECHNOLOGIES, LLC AND SHOULD NOT BE USED WITHOUT WRITTEN PERMISSION									
DIMENSION UNITS MM/IN		SCALE 8:1		CURRENT REV DESC: OBSOLETE PART NUMBER AS PER PCN#510313				molex	
GENERAL TOLERANCES (UNLESS SPECIFIED)				EC NO: 667545					
4 PLACES	±			DRWN: ABHISP1		2021/06/03		SALES ASSEMBLY Z AXIS PLUGGABLE PCB CONNECTOR	
3 PLACES	±		± 0.005	CHK'D: GGA		2021/07/05		PRODUCT CUSTOMER DRAWING	
2 PLACES	±	0.13	± 0.01	APPR: GGA		2021/07/05		DOCUMENT NUMBER	
1 PLACE	±	0.25		INITIAL REVISION:				DOC TYPE DOC PART REVISION	
0 PLACES	±			DRWN: HAVERY		2000/04/06		SD-74441-001	
ANGULAR TOL	±	0.5 °		APPR: MBANAKIS		2000/04/06		PSD 001 AC	
DRAFT WHERE APPLICABLE MUST REMAIN WITHIN DIMENSIONS		THIRD ANGLE PROJECTION		DRAWING		SERIES		MATERIAL NUMBER	
				C-SIZE		74441		SEE TABLE	
				CUSTOMER				GENERAL MARKET	
								SHEET NUMBER	
								2 OF 5	



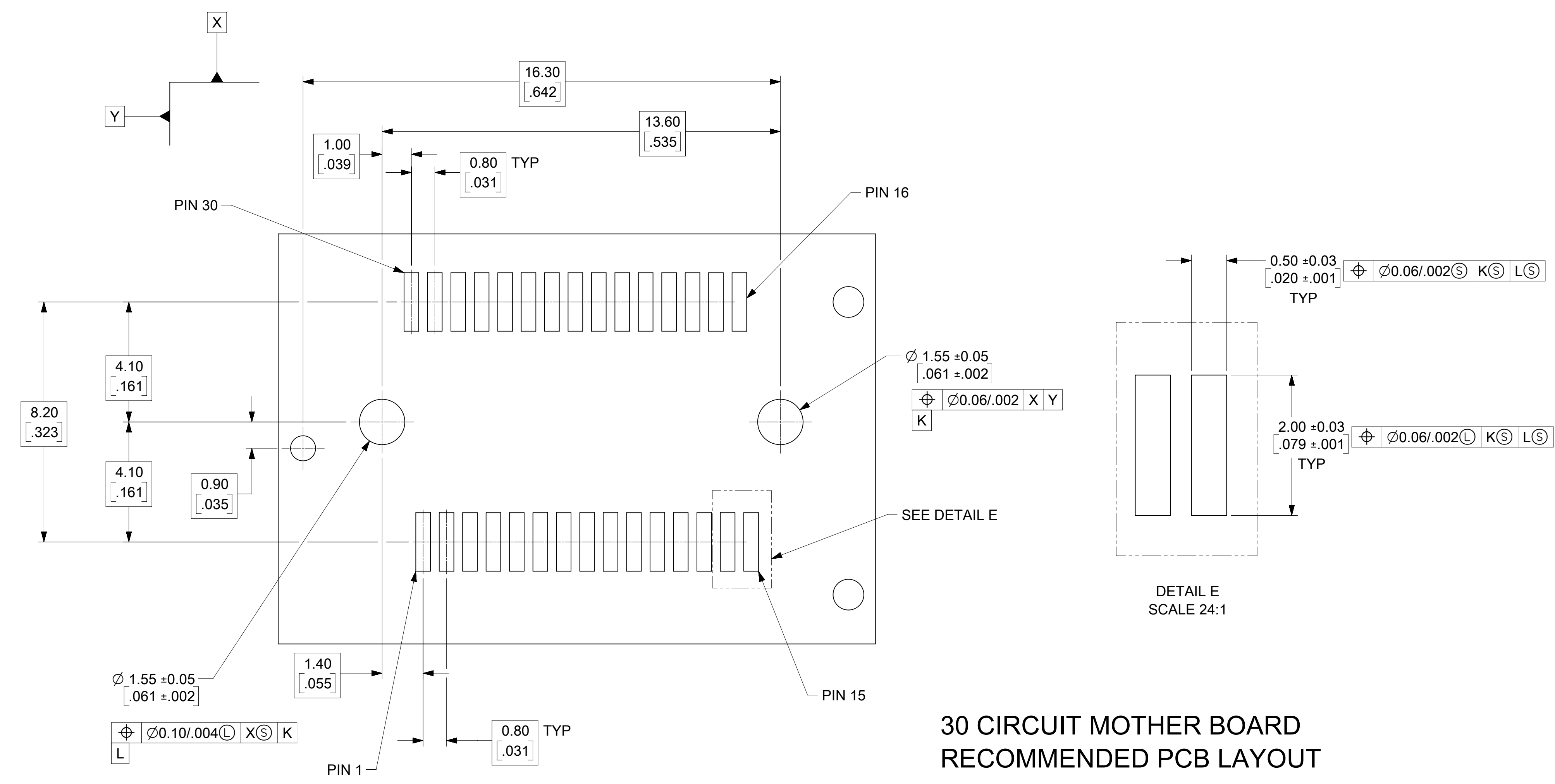
20 CIRCUIT MOTHER BOARD RECOMMENDED PCB LAYOUT

THIS AREA DENOTES
COMPONENT KEEP-OUT
(TRACES ALLOWED)

CROSS HATCHED AREA DENOTES
COMPONENT AND TRACE KEEP-OUT
(EXCEPT CHASIS GROUND)

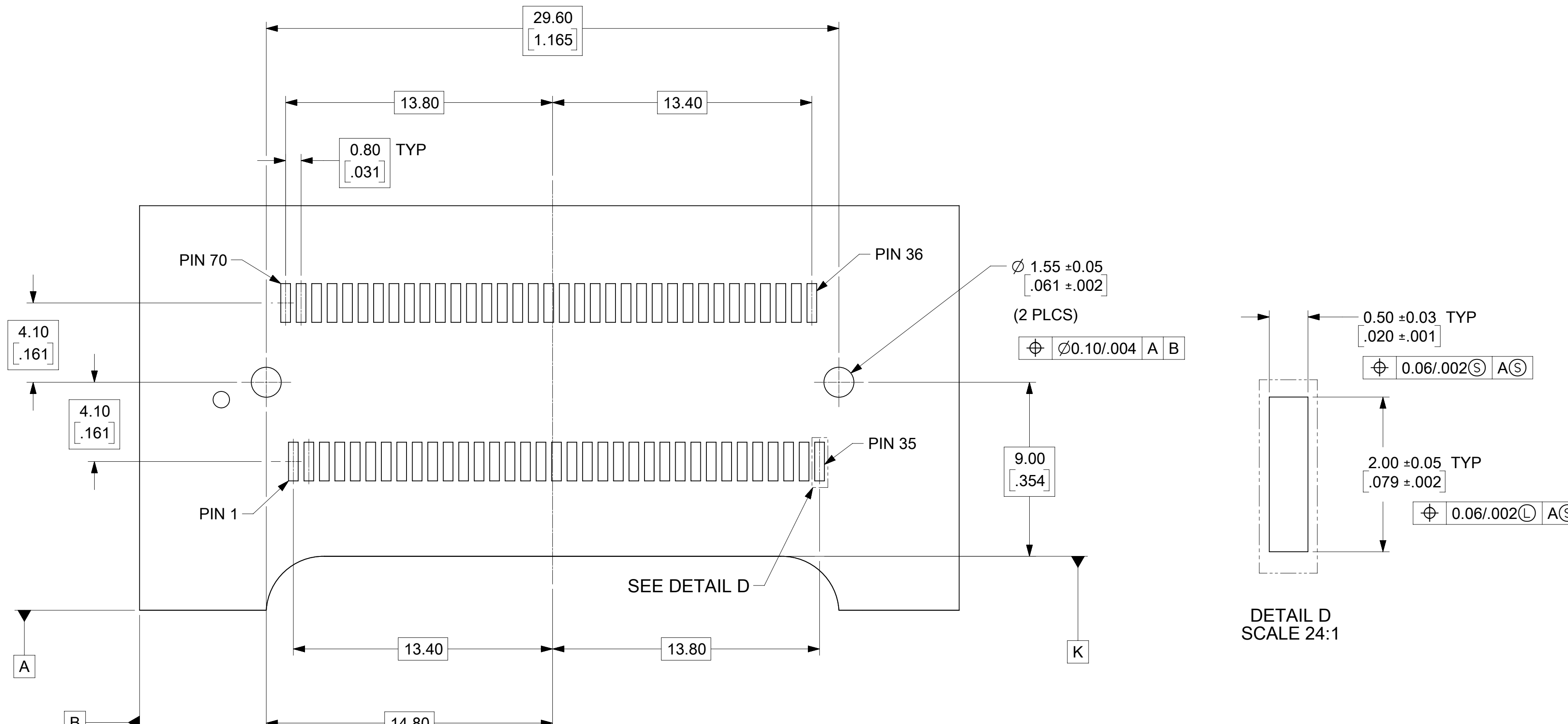
SCALE 10:1

THIS DRAWING CONTAINS INFORMATION THAT IS PROPRIETARY TO MOLEX ELECTRONIC TECHNOLOGIES, LLC AND SHOULD NOT BE USED WITHOUT WRITTEN PERMISSION									
DIMENSION UNITS MM/IN		SCALE 10:1		CURRENT REV DESC: OBSOLETE PART NUMBER AS PER PCN#510313					
GENERAL TOLERANCES (UNLESS SPECIFIED)				EC NO: 667545		2021/06/03		molex	
4 PLACES ±		±		DRWN: ABHISP1		2021/07/05			
3 PLACES ±		± 0.005		CHK'D: GGA		2021/07/05		SALES ASSEMBLY Z AXIS PLUGGABLE PCB CONNECTOR	
2 PLACES ±		0.13 ± 0.01		APPR: GGA		2021/07/05		PRODUCT CUSTOMER DRAWING	
1 PLACE ±		0.25 ±		INITIAL REVISION:				DOCUMENT NUMBER	
0 PLACES ±		±		DRWN: HAVERY		2000/04/06		SD-74441-001	
ANGULAR TOL ± 0.5°				APPR: MBANAKIS		2000/04/06		PSD 001 AC	
DRAFT WHERE APPLICABLE MUST REMAIN WITHIN DIMENSIONS		THIRD ANGLE PROJECTION		DRAWING		SERIES		MATERIAL NUMBER	
		C-SIZE		74441		SEE TABLE		CUSTOMER	
				GENERAL MARKET				SHEET NUMBER	
								3 OF 5	



30 CIRCUIT MOTHER BOARD RECOMMENDED PCB LAYOUT

THIS DRAWING CONTAINS INFORMATION THAT IS PROPRIETARY TO MOLEX ELECTRONIC TECHNOLOGIES, LLC AND SHOULD NOT BE USED WITHOUT WRITTEN PERMISSION									
DIMENSION UNITS MM/IN		SCALE 6:1		CURRENT REV DESC: OBSOLETE PART NUMBER AS PER PCN#510313			molex		
GENERAL TOLERANCES (UNLESS SPECIFIED)				EC NO: 667545					
		MM	INCH	DRWN: ABHISP1 2021/06/03			SALES ASSEMBLY Z AXIS PLUGGABLE PCB CONNECTOR		
4 PLACES ±				CHK'D: GGA 2021/07/05			PRODUCT CUSTOMER DRAWING		
3 PLACES ±			± 0.005	APPR: GGA 2021/07/05			DOCUMENT NUMBER		
2 PLACES ±		0.13	± 0.01	INITIAL REVISION:			SD-74441-001		
1 PLACE ±		0.25	±	DRWN: HAVERY 2000/04/06			DOC TYPE DOC PART REVISION		
0 PLACES ±			±	APPR: MBANAKIS 2000/04/06			PSD 001 AC		
ANGULAR TOL ±		0.5 °		THIRD ANGLE PROJECTION			MATERIAL NUMBER		
DRAFT WHERE APPLICABLE MUST REMAIN WITHIN DIMENSIONS				DRAWING			CUSTOMER		
				C-SIZE			SEE TABLE		
				SERIES			GENERAL MARKET		
				74441			SHEET NUMBER		
							4 OF 5		



70 CIRCUIT MOTHER BOARD RECOMMENDED PCB LAYOUT

THIS DRAWING CONTAINS INFORMATION THAT IS PROPRIETARY TO MOLEX ELECTRONIC TECHNOLOGIES, LLC AND SHOULD NOT BE USED WITHOUT WRITTEN PERMISSION

DIMENSION UNITS	SCALE	CURRENT REV DESC: OBSOLETE PART NUMBER AS PER PCN#510313		<h1 style="margin: 0;">molex</h1>	
MM/IN	6:1				
GENERAL TOLERANCES (UNLESS SPECIFIED)				SALES ASSEMBLY Z AXIS PLUGGABLE PCB CONNECTOR	
4 PLACES	±	MM	INCH	EC NO: 667545	
3 PLACES	±		± 0.005	DRWN: ABHISP1 2021/06/03	
2 PLACES	±	0.13	± 0.01	CHK'D: GGA 2021/07/05	
1 PLACE	±	0.25	±	APPR: GGA 2021/07/05	
0 PLACES	±		±	INITIAL REVISION:	
ANGULAR TOL ± 0.5°				DRWN: HAVERY 2000/04/06	
DRAFT WHERE APPLICABLE MUST REMAIN WITHIN DIMENSIONS		THIRD ANGLE PROJECTION		APPR: MBANAKIS 2000/04/06	
				DRAWING SERIES	
		C-SIZE		74441	
DOCUMENT STATUS		P1		RELEASE DATE	
2021/07/05		08:38:25		SD-74441-001	
DOC TYPE		DOC PART		REVISION	
PSD		001		AC	
MATERIAL NUMBER		CUSTOMER		SHEET NUMBER	
SEE TABLE		GENERAL MARKET		5 OF 5	