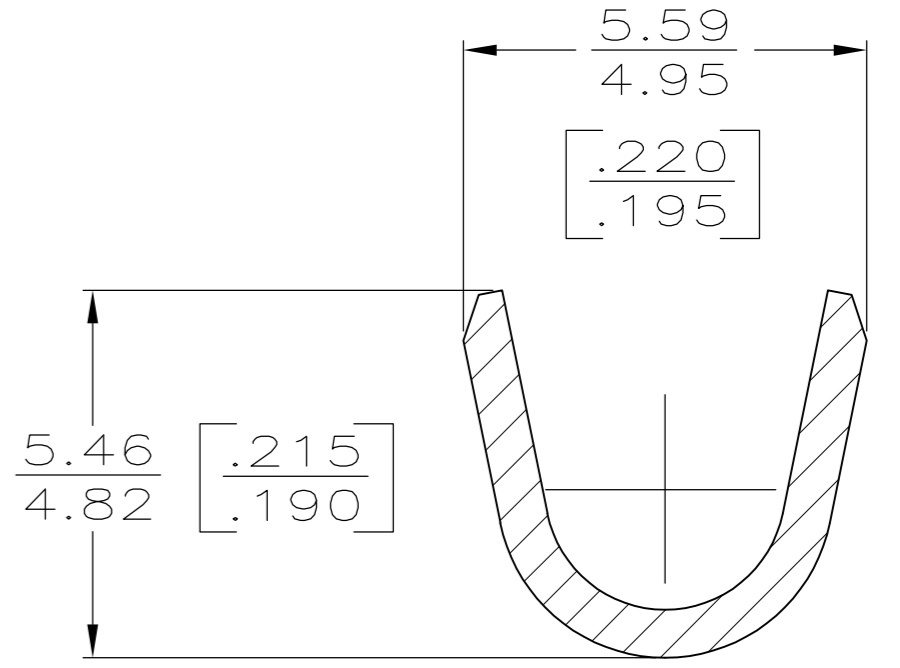
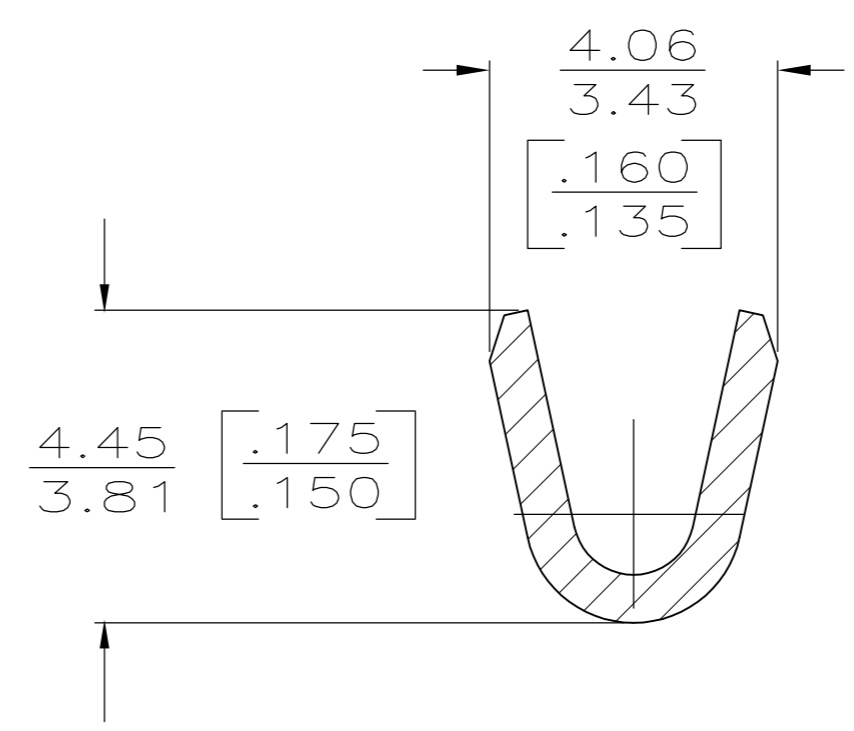
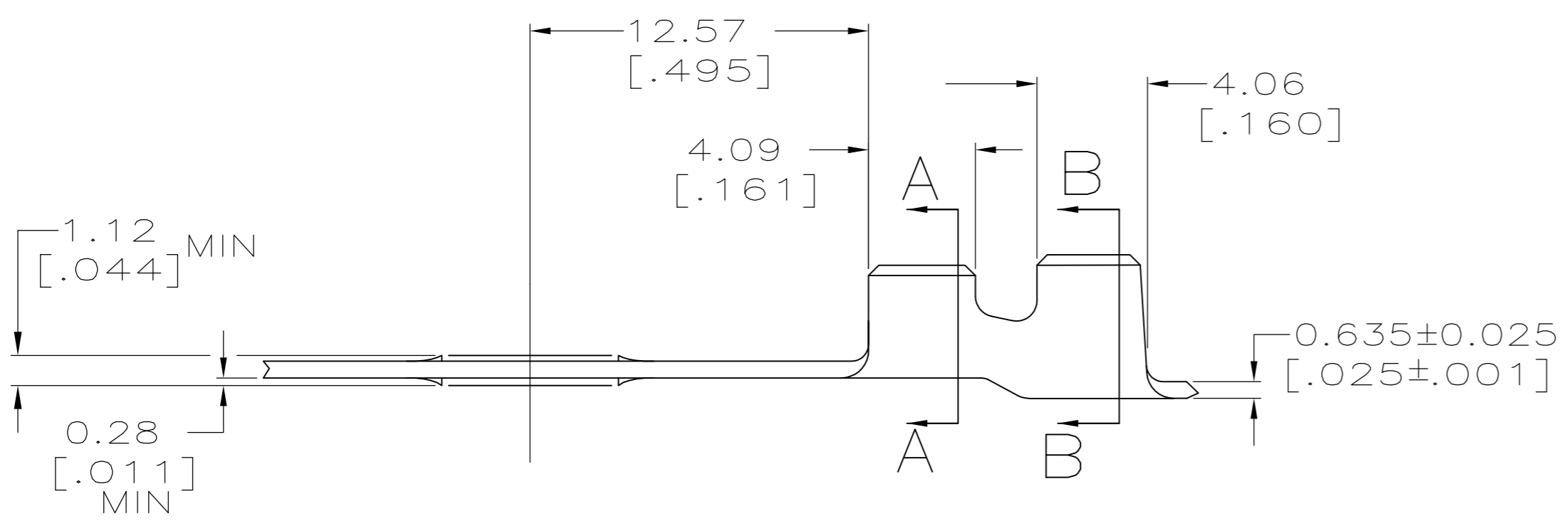
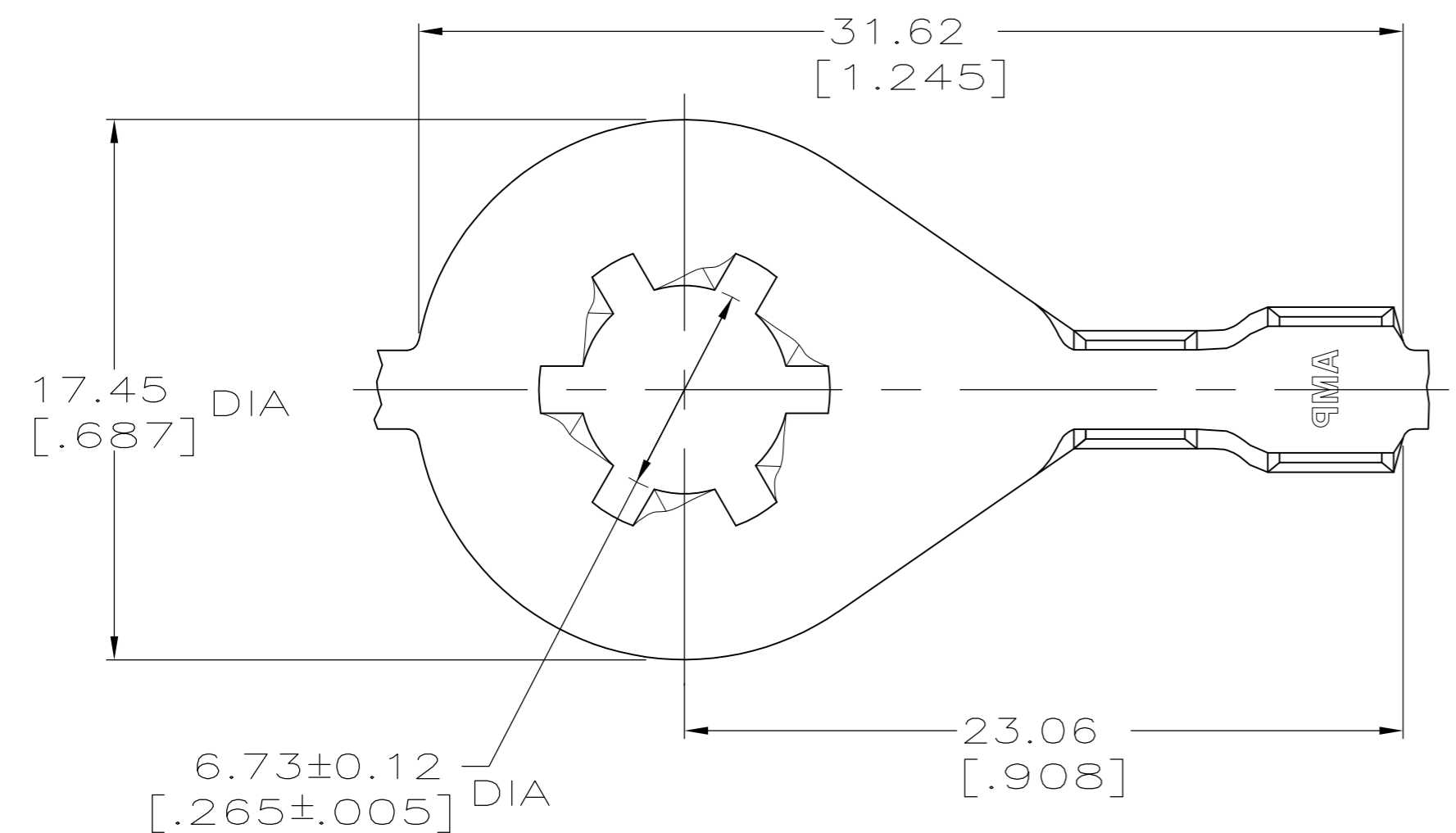


THIS DRAWING IS UNPUBLISHED. RELEASED FOR PUBLICATION
 © COPYRIGHT BY TYCO ELECTRONICS CORPORATION. ALL INTERNATIONAL RIGHTS RESERVED.

LOC	DIST	REVISIONS					
AF	50	P	LTR	DESCRIPTION	DATE	DWN	APVD
		D		REVISED PER ECR-10-006099	09JUL10	HMR	PD

- CONTINUOUS STRIP ON REELS
- WIRE SIZE IS [#18-#14] AWG.
- INSULATION RANGE IS 2.29-3.68 [.090-.145] DIA.



SECTION A-A
SCALE 8:1

SECTION B-B
SCALE 8:1

TIN	H04 BRASS	63602-2
-	ANNEALED SST	63602-1
FINISH	MATERIAL	PART NO

F or O	4.57 [.180]	4.32 [.170]	F	3.05 [.120]	2.31[.091]	2.0mm ² [14]	THIS DRAWING IS A CONTROLLED DOCUMENT. DIMENSIONS: mm [INCHES] TOLERANCES UNLESS OTHERWISE SPECIFIED: 0 PLC ± - 1 PLC ± - 2 PLC ± 0.25 [.010] 3 PLC ± - 4 PLC ± - ANGLES ± -
					2.11[.083]	1.3mm ² [16]	
					1.98[.078]	0.8mm ² [18]	
TYPE	WIDTH	STRIP LENGTH ±0.38 [±.015]	TYPE	WIDTH	±0.051[±.002] HEIGHT	WIRE	
INSUL BARREL CRIMP			WIRE BARREL CRIMP				
						MATERIAL SEE TABLE	FINISH SEE TABLE

DWN	P FORTNEY	1/2/91	Tyco Electronics Corporation Harrisburg, PA 17105-3608			
CHK	MS FEHER	1/2/91				
APVD	G YETTER					
PRODUCT SPEC						
APPLICATION SPEC			RING, LOCKING			
WEIGHT	-		SIZE	CAGE CODE	DRAWING NO	RESTRICTED TO
CUSTOMER DRAWING			A2	00779	C=63602	-
			SCALE	5:1	SHEET	1 OF 1
					REV	D