

MVBS. Vertical toggle clamps

with straight base and safety stop, steel or stainless steel



- 1
- 2
- 3
- 4
- 5
- 6
- 7
- 8
- 9
- 10
- 11
- 12
- 13
- 14
- 15
- 16
- 17
- 18

STANDARD EXECUTIONS

- Open clamping lever and two folded washers:
- **MVBS-BL**: C10 zinc-plated steel, zinc-plated steel rivets.
 - **MVBS-BLX**: AISI 304 stainless steel body and rivets.
- Solid clamping lever and bolt retainer:
- **MVBS-FL**: C10 zinc-plated steel, zinc-plated steel rivets.
 - **MVBS-FLX**: AISI 304 stainless steel body and rivets.

SUPPORT BUSHINGS

Ground and hardened steel.

HANDLE

Polyurethane, red colour.

LEVER ANTI-RELEASE COVERING

Polyvinylchloride (PVC).

SPRING

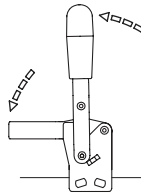
AISI 302 stainless steel.

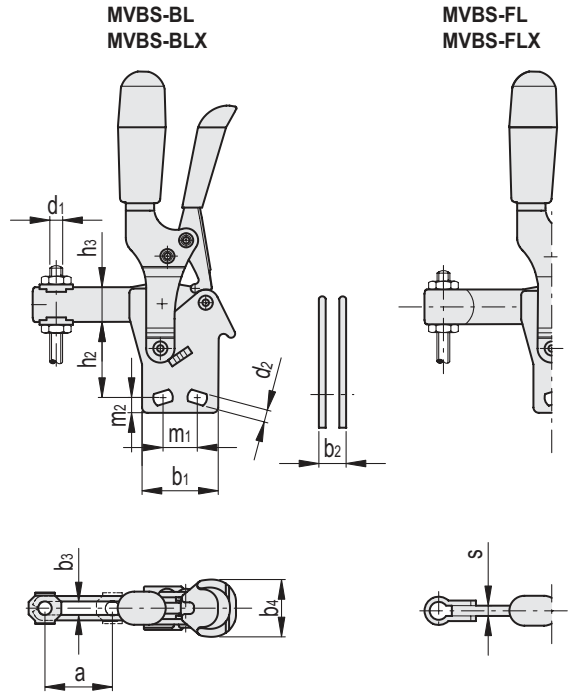
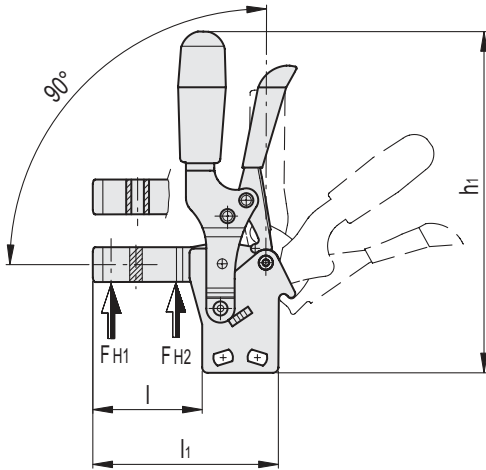
CLAMPING BOLT

To be ordered separately.

FEATURES AND APPLICATIONS

Safety stop to prevent accidental opening or closing in the presence of strong vibrations.
The operator's fingers cannot be hit by the lever while opening.
During clamping, the lever is controlled to prevent impact on functioning due to side thrust.





MVBS-BL

METRIC

Code	Description	a	b1	b2	b3	b4	d1	d2	h1	h2	h3	l	l1	m1	m2	FH1 [N]*	FH2 [N]*	⚖
GG.AA584	MVBS.130/BL	28	35	10	6.2	25.5	M6	5.5	156	35+36	16	50	85	12.5+19	6.5+7.5	1050	1750	275
GG.AA592	MVBS.230/BL	40	43	12	8.5	30	M8	6.5	183	39	18	67.5	110.5	18+21	6.5	2000	3200	380

MVBS-BLX

INOX STAINLESS STEEL METRIC

Code	Description	a	b1	b2	b3	b4	d1	d2	h1	h2	h3	l	l1	m1	m2	FH1 [N]*	FH2 [N]*	⚖
GG.AS202	MVBS.130/BLX	28	35	10	6.2	25.5	M6	5.5	156	35+36	16	50	85	12.5+19	6.5+7.5	1050	1750	275
GG.AS212	MVBS.230/BLX	40	43	12	8.5	30	M8	6.5	183	39	18	67.5	110.5	18+21	6.5	2000	3200	380

MVBS-FL

METRIC

Code	Description	b1	b2	b4	d1	d2	h1	h2	h3	l	l1	m1	m2	s	FH1 [N]*	FH2 [N]*	⚖
GG.AA588	MVBS.130/FL	35	10	25.5	M6	5.5	156	35+36	16	51	86	12.5+19	6.5+7.5	5	1050	1750	280
GG.AA596	MVBS.230/FL	43	12	30	M8	6.5	183	39	18	69	112	18+21	6.5	6	2000	3200	390

MVBS-FLX

INOX STAINLESS STEEL METRIC

Code	Description	b1	b2	b4	d1	d2	h1	h2	h3	l	l1	m1	m2	s	FH1 [N]*	FH2 [N]*	⚖
GG.AS206	MVBS.130/FLX	35	10	25.5	M6	5.5	156	35+36	16	51	86	12.5+19	6.5+7.5	5	1050	1750	280
GG.AS216	MVBS.230/FLX	43	12	30	M8	6.5	183	39	18	69	112	18+21	6.5	6	2000	3200	390

* Holding force.

