



Directional 20 dB SMA Coupler From 6 GHz to 26.6 GHz Rated to 30 Watts

Couplers Technical Data Sheet

PE2CP1120-20

Features

- 6 GHz to 26.6 GHz
- 30 Watts CW Max Power
- 20 dB Coupling Value
- Directional SMA Coupler
- Meets Standards for Humidity, Shock, Vibration, Altitude

Applications

- Communications Systems
- GSM, LTE, 5G
- Amplifier Systems
- Point-to-Point Radio
- Automotive Radar
- Defense Applications
- Wireless Telecommunications

Description

The PE2CP1120-20 is an 20 dB RF coupler with 50 ohm SMA connectors operating from 6 GHz to 26.6 GHz with a maximum input power of 30 Watts CW, and peak power handling of 300 watt. The PE2CP1120-20 has a coupling factor of 20 dB, insertion loss of 1 dB maximum and a maximum VSWR of 1.5:1. The coupler operates over a temperature range of -45 to 85° C and meets environmental standard for humidity, shock, vibration, and altitude. Couplers have many Applications and perform several functions within the RF/Microwave industry such as circuit feedback and signal sampling for measurement or monitoring.

Electrical Specifications

Description	Minimum	Typical	Maximum	Units
Frequency Range	6		26.6	GHz
Impedance		50		Ohms
Coupling		20		dB
Frequency Sensitivity			±1	dB
Insertion Loss			1	dB
Directivity	13			dB
Main Line VSWR			1.5:1	
Secondary Line VSWR			1.5:1	
Input Power (CW)			30	Watts
Input Power (Peak)			300	Watts

Mechanical Specifications

Weight	0.0093 lbs [4.22 g]
Housing Material and Plating	Aluminum

Click the following link (or enter part number in "SEARCH" on website) to obtain additional part information including price, inventory and certifications: [Directional 20 dB SMA Coupler From 6 GHz to 26.6 GHz Rated to 30 Watts PE2CP1120-20](#)



Directional 20 dB SMA Coupler From 6 GHz
to 26.6 GHz Rated to 30 Watts

Couplers Technical Data Sheet

PE2CP1120-20

Configuration

Package Type	Connectorized
Input Connector	SMA Female
Output Connector	SMA Female
Coupled Connectors	SMA Female

Environmental Specifications

Temperature

Operating Range	-45 to +85 deg C
Storage Range	-55 to +125 deg C

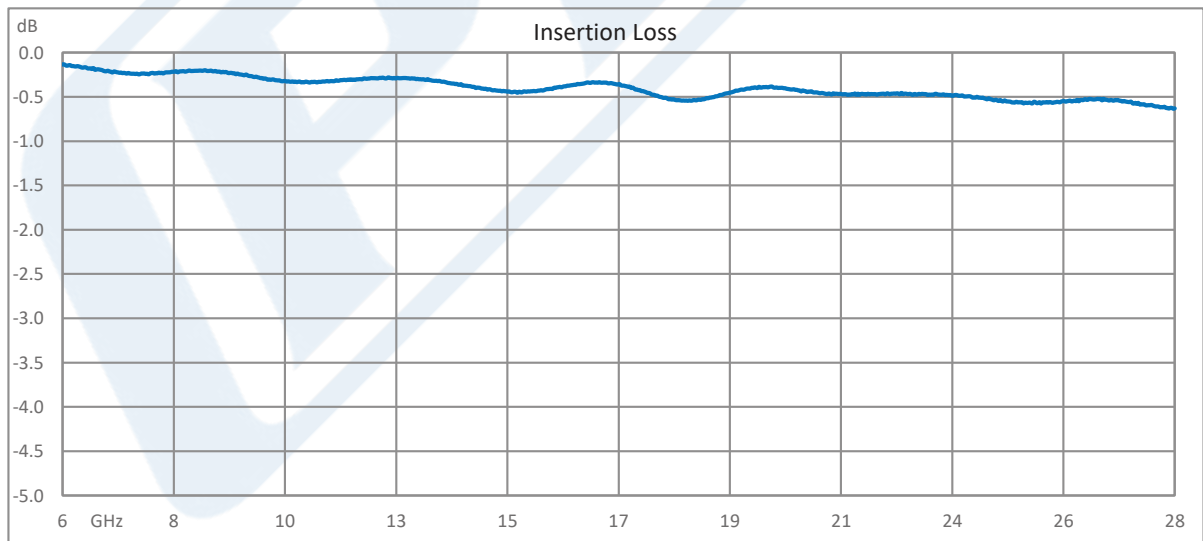
Humidity	100% RH at 35°C, 95% RH at 40°C
Shock	20G for 11msec half sine wave, 3 axis both directions
Vibration	25g RMS (15 degrees 2KHz) endurance, 1 hour per axis
Altitude	30,000 ft. (Epoxy Sealed Controlled environment)

Compliance Certifications (see [product page](#) for current document)

Plotted and Other Data

Notes:

Typical Performance Data



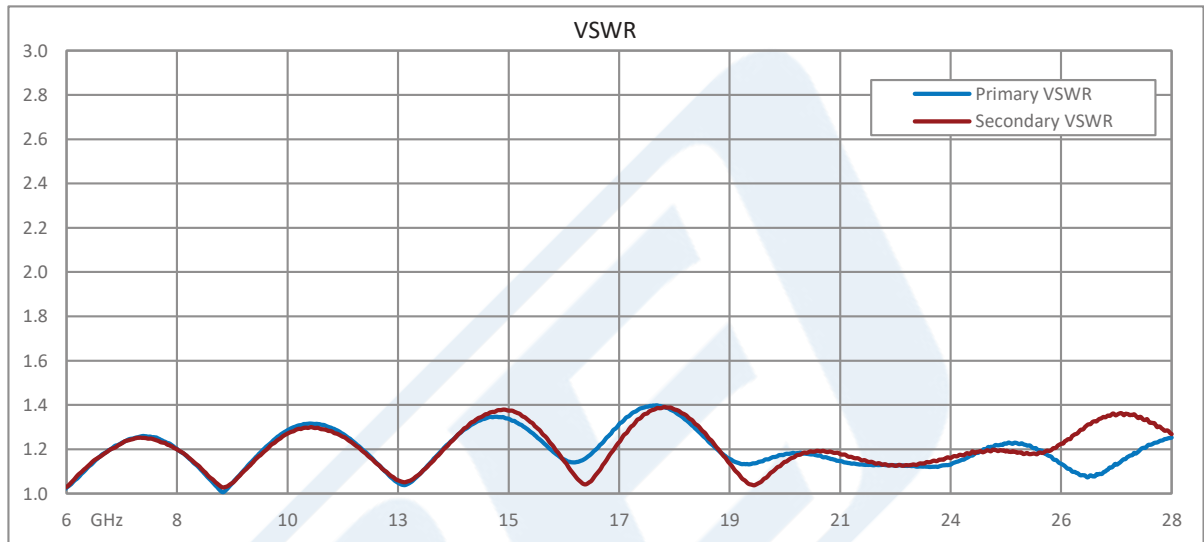
Click the following link (or enter part number in "SEARCH" on website) to obtain additional part information including price, inventory and certifications: [Directional 20 dB SMA Coupler From 6 GHz to 26.6 GHz Rated to 30 Watts PE2CP1120-20](#)



Directional 20 dB SMA Coupler From 6 GHz
to 26.6 GHz Rated to 30 Watts

Couplers Technical Data Sheet

PE2CP1120-20



Directional 20 dB SMA Coupler From 6 GHz to 26.6 GHz Rated to 30 Watts from Pasternack Enterprises has same day shipment for domestic and International orders. Our RF, microwave and millimeter wave products maintain a 99.4% availability and are part of the broadest selection in the industry.

Click the following link (or enter part number in "SEARCH" on website) to obtain additional part information including price, inventory and certifications: [Directional 20 dB SMA Coupler From 6 GHz to 26.6 GHz Rated to 30 Watts PE2CP1120-20](https://www.pasternack.com/directional-20-db-sma-coupler-26.6-ghz-pe2cp1120-20-p.aspx)

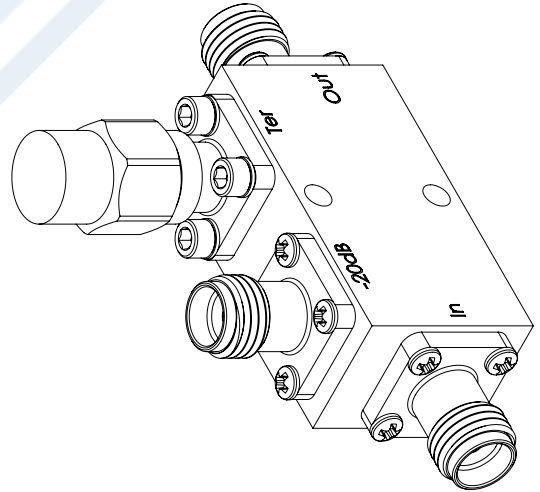
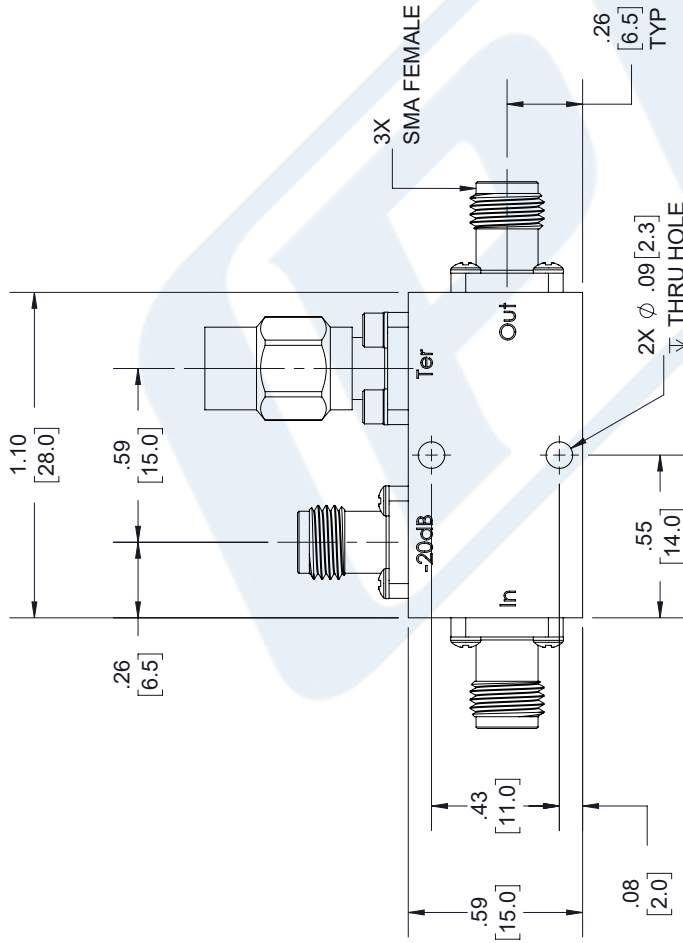
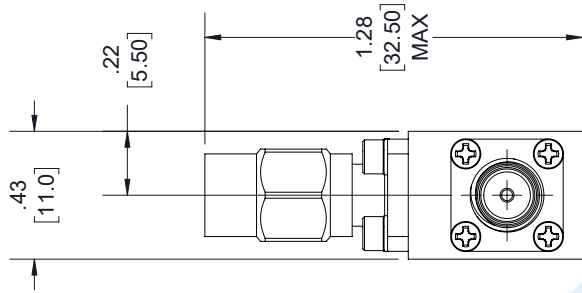
URL: <https://www.pasternack.com/directional-20-db-sma-coupler-26.6-ghz-pe2cp1120-20-p.aspx>

The information contained in this document is accurate to the best of our knowledge and representative of the part described herein. It may be necessary to make modifications to the part and/or the documentation of the part, in order to implement improvements. Pasternack reserves the right to make such changes as required. Unless otherwise stated, all specifications are nominal. Pasternack does not make any representation or warranty regarding the suitability of the part described herein for any particular purpose, and Pasternack does not assume any liability arising out of the use of any part or documentation.

PE2CP1120-20 CAD Drawing

Directional 20 dB SMA Coupler From 6 GHz to 26.6 GHz Rated to 30 Watts

REV.	DESCRIPTION	DATE	APPROVED
B	POR PE2CP1120-X FM2CP1120-X	12/18/2019	S. PONG



LABEL

PASTERNAK
PE2CP1120-20
D/C: YYWW

UNLESS OTHERWISE SPECIFIED
LEADING DIMENSIONS ARE INCHES
DIMENSIONS IN [] ARE MILLIMETERS

TOLERANCES:
 .X = ±.2 [5.08]
 .XX = ±.02 [51]
 .XXX = ±.005 [13]

FRACTIONS
 ± 1/32

ANGLES ± 1°

CABLE LENGTH (L) TOLERANCES:
 L ≤ 12 [305] = ±1 [25] / -0
 12 [305] < L ≤ 60 [1524] = +2 [51] / -0
 60 [1524] < L ≤ 120 [3048] = +4 [102] / -0
 120 [3048] < L ≤ 300 [7620] = +6 [152] / -0
 300 [7620] < L = +5%L / -0

ALL DIMENSIONS SHOWN
ARE FOR REFERENCE ONLY.

<p>THIRD-ANGLE PROJECTION</p> <p>THE INFORMATION AND DESIGN IN THIS DOCUMENT IS THE PROPERTY OF PASTERNAK CORPORATION ALL RIGHTS RESERVED.</p>		SHEET 1 OF 1 SCALE N/A
PASTERNAK® an INFINIT® brand Pasternack Enterprises, Inc. P.O. Box 16759, Irvine, CA 92623. Phone: 1.949.261.1920 1.866.727.8376 Fax: 1.949.261.7451 Website: www.pasternack.com E-mail: sales@pasternack.com	ITEM NO. PE2CP1120-20	REV B
SIZE A	CAGE CODE 53919	DRAWN BY K. DANG