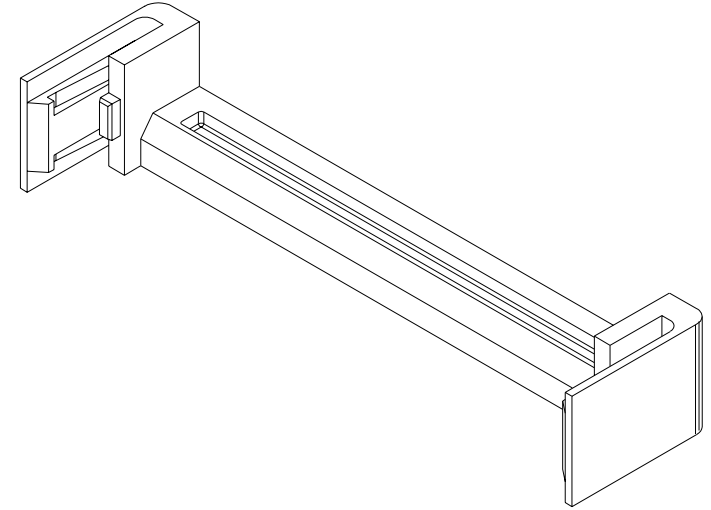
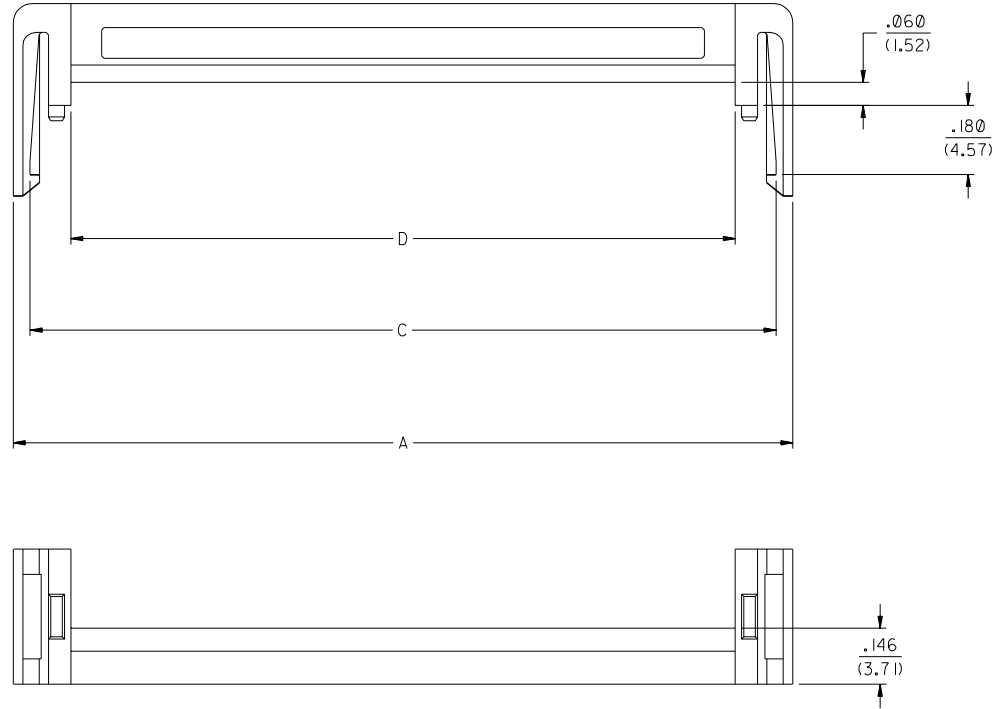


NOTES:

1. MATERIAL: PBT THERMOPLASTIC 30% GLASS FILLED, UL 94 V-O, COLOR: BLACK.
2. FINISH: NONE
3. PACKAGING: REFER TO PK-70873-0812.

ITEM NO.	CKT. SIZE	DIM. A		DIM. C		70499 DIM. D	
		INCH	MM	INCH	MM	INCH	MM
70499-3050	50	1.580	40.13	1.492	37.90	1.280	32.51
70499-3068	68	2.030	51.56	1.942	49.33	1.730	43.94



INITIAL RELEASE EC NO. UDT 1998-0287 DRWN: J. LONG 98/05/22 CHK: J. LONG 98/06/03 APPR: BRINKMAN 98/06/03	DESCRIPTION REV	QUALITY SYMBOLS	GENERAL TOLERANCES: (UNLESS SPECIFIED)	SCALE 4:1	DESIGN UNITS <input type="checkbox"/> mm <input checked="" type="checkbox"/> INCH	DIMENSIONS: <input type="checkbox"/> mm <input type="checkbox"/> INCH <input type="checkbox"/> mm ONLY		SHT	REV	
		MAJOR $\nabla = 0$	4 PLACES $\pm 0.$ $\pm .$	DRAWN BY & DATE J. LONG 98/05/22	THIRD ANGLE PROJECTION		TITLE: SALES - SCSI SINGLE PIECE STRAIN RELIEF FOR .025 R/C PLUG ASSEMBLIES			
		CRITICAL $\nabla C = 0$	3 PLACES $\pm 0.$ $\pm .005$	CHECKED BY & DATE J. LONG 98/06/03	APPROVED BY & DATE BRINKMAN 98/06/03		MATERIAL NO. SEE CHART		DRAWING NO. SD-70499-005	SHEET NO. 1 OF 1
A			2 PLACES ± 0.13 $\pm .$	CAD FILENAME		MATERIAL CHART				
			1 PLACE $\pm 0.$ $\pm .$	ANGULAR: $\pm 1/2^\circ$		MATERIAL NO. SEE CHART				
				DRAFT WHERE APPLICABLE MUST REMAIN WITHIN DIMENSIONS		THIS DRAWING CONTAINS INFORMATION THAT IS PROPRIETARY TO MOLEX INCORPORATED AND SHOULD NOT BE USED WITHOUT WRITTEN PERMISSION.				