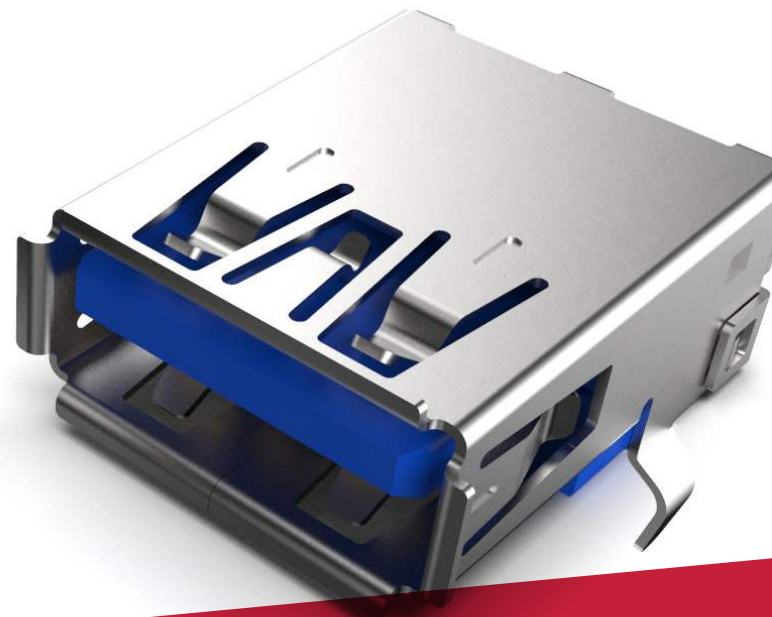




www.gct.co

Performance USB A Connectors That Last



Product Release

USB1130 & USB1135

Vital Stats

GCT has launched two USB A connectors with extended mating cycles and enhanced current rating over standard products. The USB1130 and USB1135 are the latest additions to the USB range and are perfect for fast charging and high traffic applications, rated to 10,000 and 20,000 mating cycles respectively.

USB1130

USB

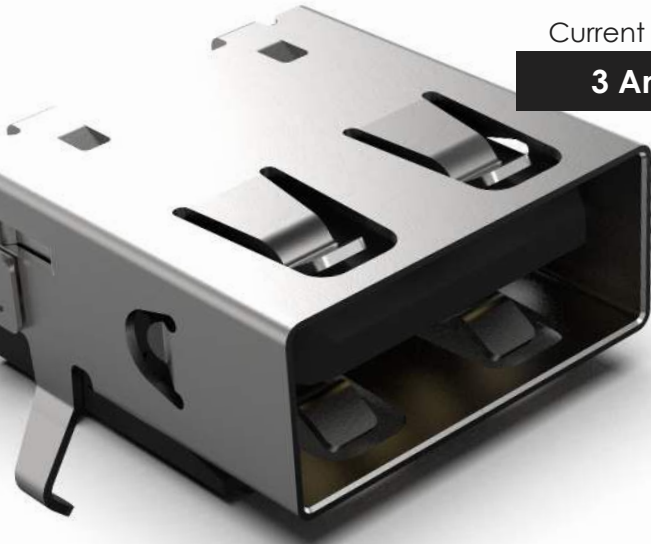
Type A 2.0

Mating Cycles

10,000

Current Rating

3 Amp



USB

Type A 3.0

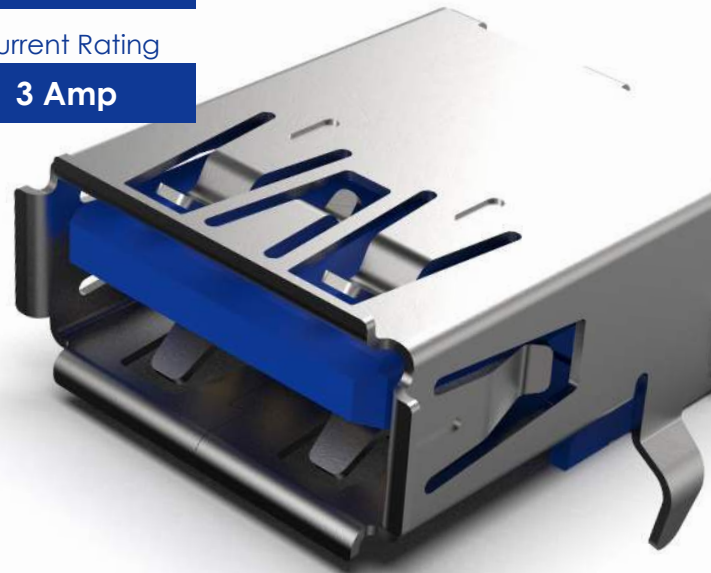
Mating Cycles

20,000

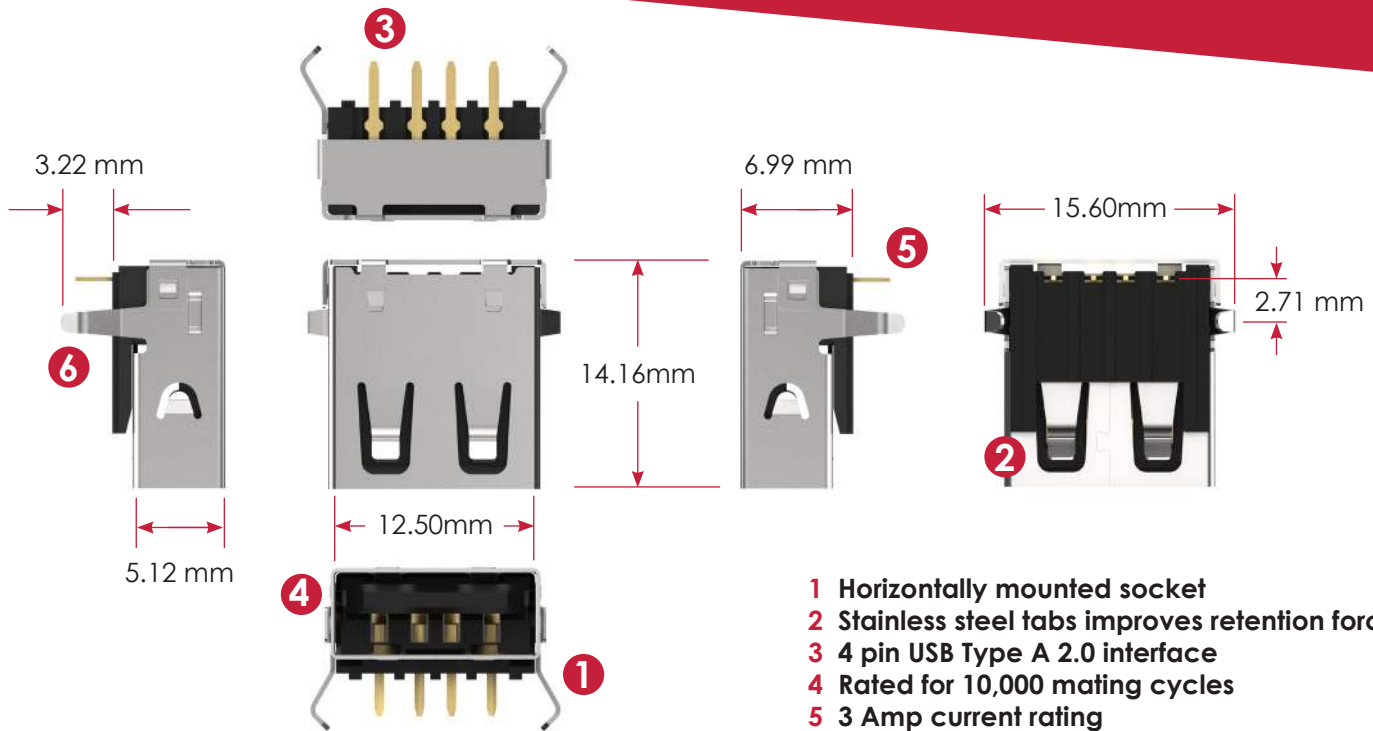
Current Rating

3 Amp

USB1135



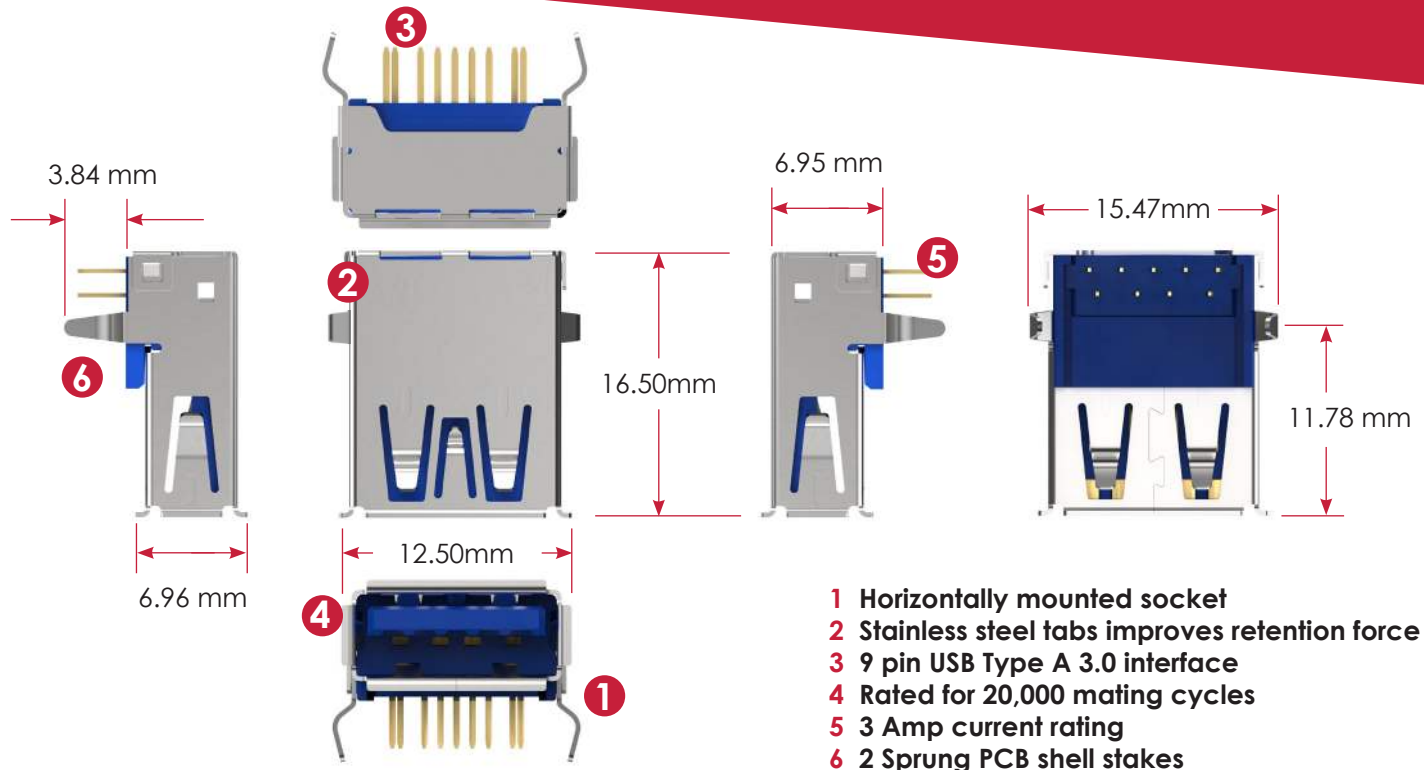
USB1130 Plan View



- 1 Horizontally mounted socket
- 2 Stainless steel tabs improves retention force
- 3 4 pin USB Type A 2.0 interface
- 4 Rated for 10,000 mating cycles
- 5 3 Amp current rating
- 6 2 Sprung PCB shell stakes

gct.co/connector/usb1130

USB1135 Plan View



- 1 Horizontally mounted socket
- 2 Stainless steel tabs improves retention force
- 3 9 pin USB Type A 3.0 interface
- 4 Rated for 20,000 mating cycles
- 5 3 Amp current rating
- 6 2 Sprung PCB shell stakes

gct.co/connector/usb1135

Alternative USB A Products



USB1086

- Vertical top-mount USB A 3.0 socket
- Tested to 20,000 mating cycles
- Blue insulator to denote USB superspeed and reliability
- Perfect for high-traffic docking and charging applications



USB1125

- Horizontal top-mount USB A 2.0 socket
- Short 1mm shell depth for space-restricted designs
- No lead-in mating tabs in for panel-flush finish
- Tested to 5000 mating cycles



USB1115

- Horizontal mid-bottom mount USB A 3.0 socket
- Sculpted, mating tab-less entry face
- Perfect for compact, flush designs
- Tested to 5000 mating cycles

view on [gct.co](https://www.gct.co)

