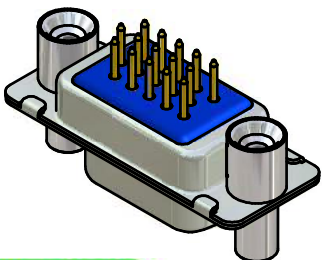
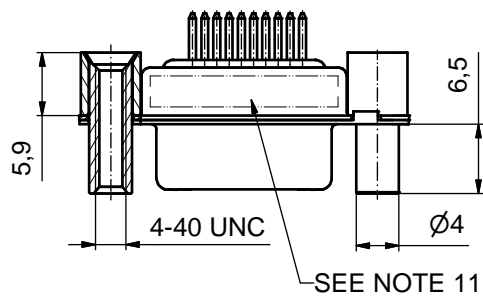
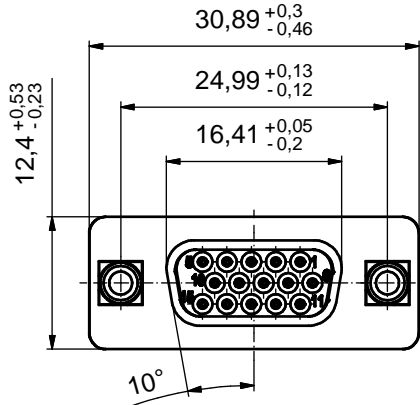
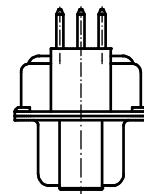
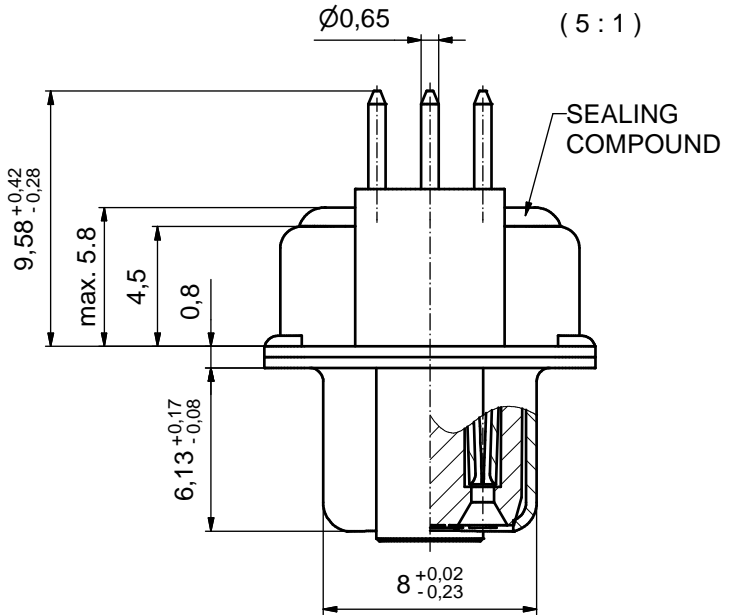


P.C.B. HOLE DRILLINGS



Directive 2002/95/EC  
„RoHS“  
Compliant



NOTES:

1. RoHS COMPLIANT
2. SUITABLE FOR WAVESOLDERING
3. METALSHELLS: STEEL; min. 315µm TIN over 40-80µm NICKEL
4. INSULATORS: HIGH TEMPERATURE PLASTIC UL 94 V-0, BLACK
5. CONTACTS: COPPER ALLOY  
PLATING: 8µm HARD GOLD over min. 50µm NICKEL
6. THREADED REAR SPACER / FRONT THREADED LOCK:  
COPPER ALLOY; min. 200µm TIN over 80µm NICKEL
7. SLEEVE: COPPER ALLOY; min. 200µm TIN over 80µm NICKEL
8. CAPACITANCE: 830pF ± 20%
9. DIELECTRIC WITHSTANDING VOLTAGE: 300 VDC
10. MAXIMUM TORQUE VALUE FOR THREAD: 6 in.LB
11. CONNECTOR IS PART MARKED: 242A18420X CONEC ABC

APPROVAL # FREIGABE # DEBLOCAGE # AUTORIZACION # APPROVAL

CUSTOMER APPROVAL DATE:

NAME: TITLE:

COMPANY NAME:

APPROVAL # FREIGABE # DEBLOCAGE # AUTORIZACION # APPROVAL

THIS DRAWING MAY NOT BE COPIED OR REPRODUCED IN ANY WAY, AND MAY NOT BE PASSED ON TO A THIRD PARTY WITHOUT WRITTEN PERMISSION. OWNERSHIP AND COPYRIGHT OF CONEC GmbH

DO NOT ALTER CAD DRAWING BY HAND

rev.	description	date	name
a	Origin		

tolerance	dim. in mm

date	name
drawn 09.01.2008	Sonnenberg
appd. 09.01.2008	Mickenbecker
norm	
d-old	

**CONEC**

scale:	2:1 (5:1)
material:	SEE NOTES
title:	D-SUB HD FILTER FEMALE 15pos. SOLDER PIN STRAIGHT threaded rear spacer and front threaded lock
dwg no:	Inventor 10
part no:	24K1A1061
	242A18420X

DIN-A3
sh: 1