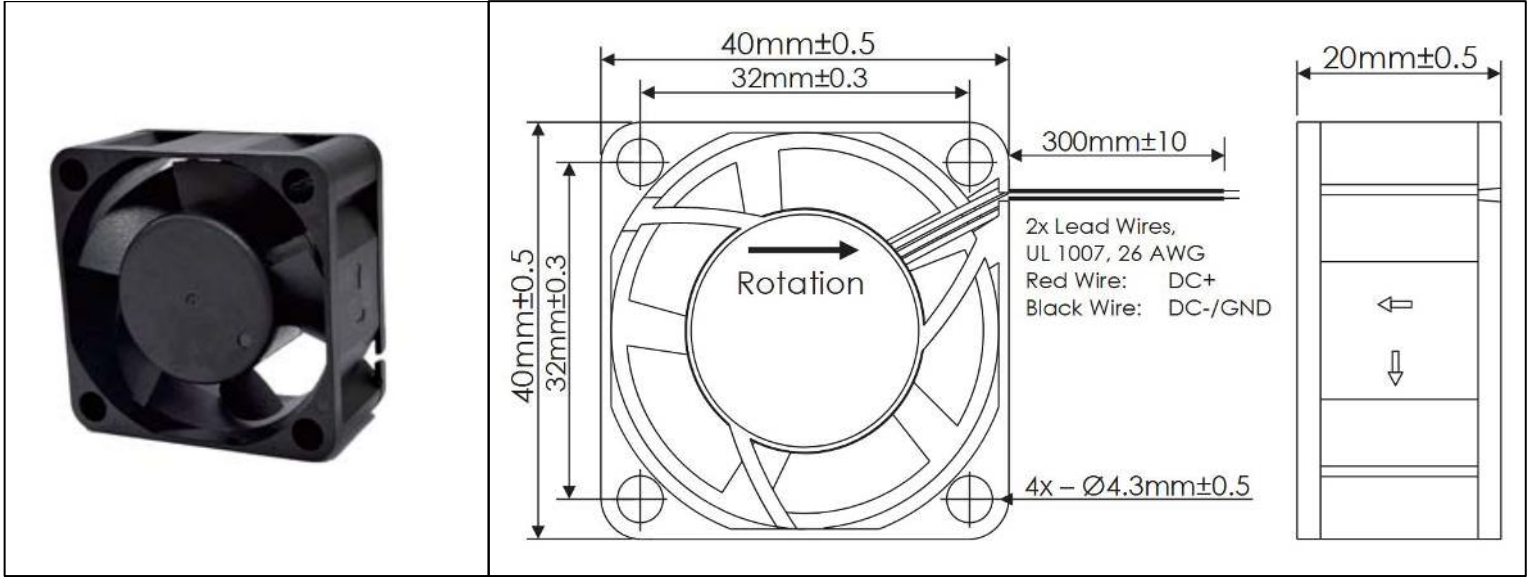


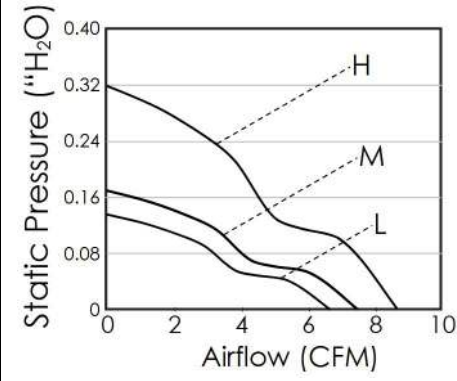
OD4020 Sealed Sleeve Series



DC Fans - 5, 12, 24V
40mm x 20mm (1.58" x 0.79")



Frame	PBT, UL94 V-0 Plastic	Operating Temperature -20°C ~ +65°C
Impeller	PBT, UL94 V-0 Plastic	
Connection	2x Wire Leads, 26 AWG	Storage Temperature -20°C ~ +75°C
Motor	Brushless DC, Auto Cutoff, Auto Restart, Electronically Protected, Polarity Protected	
Bearing System	Sealed Sleeve	Life Expectancy 50,000 Hours (L10 at 45°C)
Dielectric Strength	500VDC/min, <1mA	
Insulation Resistance	≥10MΩ @ 500V DC	Available Options Tachometer Output Alarm Output IP Ratings
		Weight: 0.07 lbs

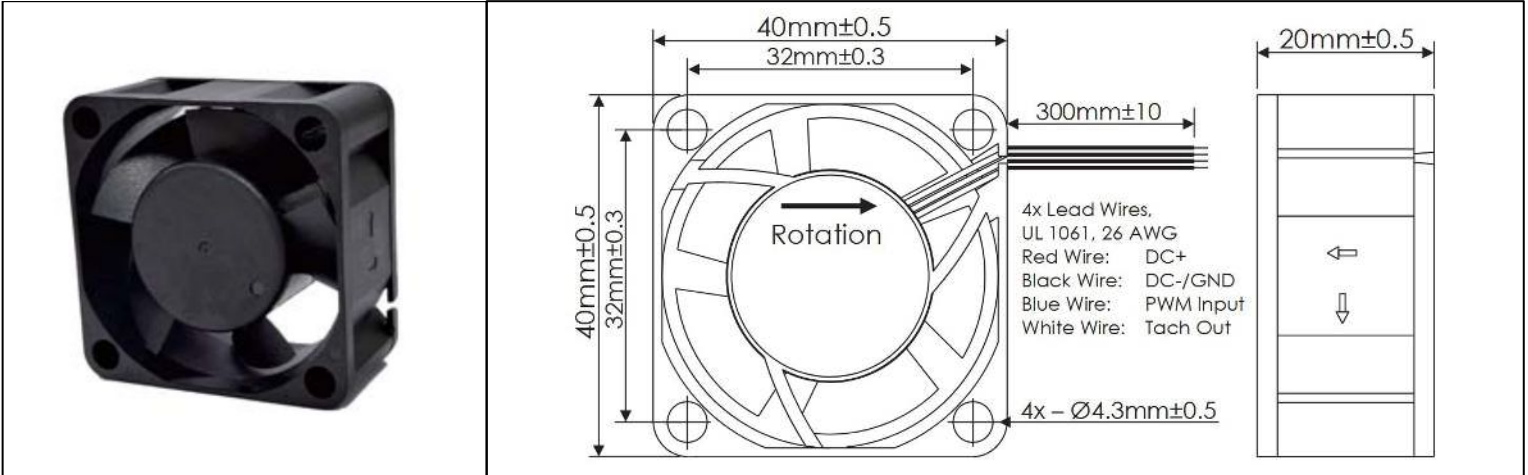


Part Number	Rated Voltage (Volts DC)	Voltage Range (Volts DC)	Input Power (Watts)	Rated Current (Amps)	Rated Speed (RPM)	Max Airflow (CFM)	Noise Level (dBA)	Max Static Pressure (" H2O)
OD4020-05HSS	5	4.5 ~ 5.5	1.60	0.23 ~ 0.32	7780	8.7	32.1	0.32
OD4020-05MSS	5	4.5 ~ 5.5	1.20	0.20 ~ 0.23	6475	7.5	30.3	0.17
OD4020-05LSS	5	4.5 ~ 5.5	0.90	0.16 ~ 0.18	5150	6.5	24.1	0.14
OD4020-12HSS	12	8 ~ 13.8	1.30	0.10 ~ 0.21	8190	8.7	32.1	0.32
OD4020-12MSS	12	8 ~ 13.8	1.20	0.08 ~ 0.10	6475	7.5	30.3	0.17
OD4020-12LSS	12	8 ~ 13.8	0.98	0.06 ~ 0.08	5150	6.5	24.1	0.14
OD4020-24HSS	24	14 ~ 26.4	1.72	0.07 ~ 0.09	8190	8.7	32.1	0.32
OD4020-24MSS	24	14 ~ 26.4	1.70	0.05 ~ 0.07	6475	7.5	30.3	0.17
OD4020-24LSS	24	14 ~ 26.4	1.20	0.04 ~ 0.05	5150	6.5	24.1	0.14

OD4020 Sealed Sleeve Series with PWM and Tach

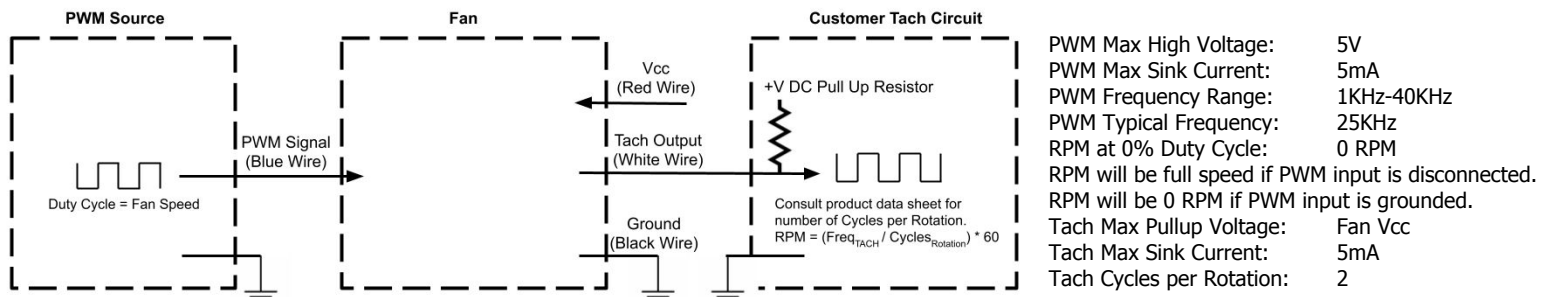


DC Fans - 5, 12, 24V
40mm x 20mm (1.58" x 0.79")



Frame	PBT, UL94 V-0 Plastic	Operating Temperature -20°C ~ +65°C	Static Pressure ("H₂O)
Impeller	PBT, UL94 V-0 Plastic		
Connection	4x Wire Leads, 26 AWG	Storage Temperature -20°C ~ +75°C	
Motor	Brushless DC, Auto Cutoff, Auto Restart, Electronically Protected, Polarity Protected		
Bearing System	Sealed Sleeve	Life Expectancy 50,000 Hours (L10 at 45°C)	Weight: 0.07 lbs
Dielectric Strength	500VDC/min, <1mA		
Insulation Resistance	≥10MΩ @ 500V DC	Installed Options PWM Speed Control Input Open Collector Tach Output	

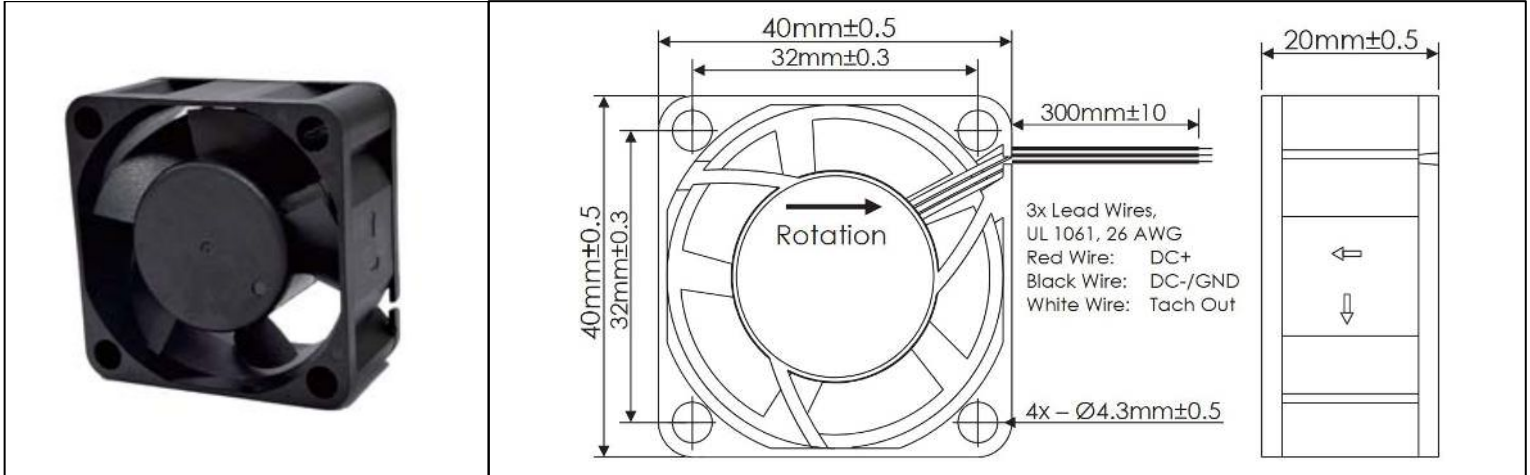
Part Number	Rated Voltage (Volts DC)	Voltage Range (Volts DC)	Input Power (Watts)	Rated Current (Amps)	Rated Speed (RPM)	Max Airflow (CFM)	Noise Level (dBA)	Max Static Pressure ("H ₂ O)
OD4020-05HSS10A	5	4.5 ~ 5.5	1.60	0.23 ~ 0.32	7780	8.7	32.1	0.32
OD4020-05MSS10A	5	4.5 ~ 5.5	1.20	0.20 ~ 0.23	6475	7.5	30.3	0.17
OD4020-05LSS10A	5	4.5 ~ 5.5	0.90	0.16 ~ 0.18	5150	6.5	24.1	0.14
OD4020-12HSS10A	12	8 ~ 13.8	1.30	0.10 ~ 0.21	8190	8.7	32.1	0.32
OD4020-12MSS10A	12	8 ~ 13.8	1.20	0.08 ~ 0.10	6475	7.5	30.3	0.17
OD4020-12LSS10A	12	8 ~ 13.8	0.98	0.06 ~ 0.08	5150	6.5	24.1	0.14
OD4020-24HSS10A	24	14 ~ 26.4	1.72	0.07 ~ 0.09	8190	8.7	32.1	0.32
OD4020-24MSS10A	24	14 ~ 26.4	1.70	0.05 ~ 0.07	6475	7.5	30.3	0.17
OD4020-24LSS10A	24	14 ~ 26.4	1.20	0.04 ~ 0.05	5150	6.5	24.1	0.14



OD4020 Sealed Sleeve Series with Tach

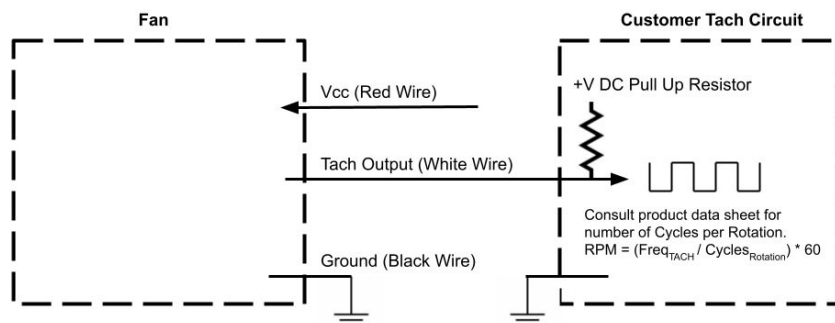


DC Fans - 5, 12, 24V
40mm x 20mm (1.58" x 0.79")



Frame	PBT, UL94 V-0 Plastic	Operating Temperature -20°C ~ +65°C
Impeller	PBT, UL94 V-0 Plastic	
Connection	3x Wire Leads, 26 AWG	Storage Temperature -20°C ~ +75°C
Motor	Brushless DC, Auto Cutoff, Auto Restart, Electronically Protected, Polarity Protected	
Bearing System	Sealed Sleeve	Life Expectancy 50,000 Hours (L10 at 45°C)
Dielectric Strength	500VDC/min, <1mA	
Insulation Resistance	≥10MΩ @ 500V DC	Installed Options Open Collector Tach Output
		Weight: 0.07 lbs

Part Number	Rated Voltage (Volts DC)	Voltage Range (Volts DC)	Input Power (Watts)	Rated Current (Amps)	Rated Speed (RPM)	Max Airflow (CFM)	Noise Level (dBA)	Max Static Pressure ("H ₂ O)
OD4020-05HSS01A	5	4.5 ~ 5.5	1.60	0.23 ~ 0.32	7780	8.7	32.1	0.32
OD4020-05MSS01A	5	4.5 ~ 5.5	1.20	0.20 ~ 0.23	6475	7.5	30.3	0.17
OD4020-05LSS01A	5	4.5 ~ 5.5	0.90	0.16 ~ 0.18	5150	6.5	24.1	0.14
OD4020-12HSS01A	12	8 ~ 13.8	1.30	0.10 ~ 0.21	8190	8.7	32.1	0.32
OD4020-12MSS01A	12	8 ~ 13.8	1.20	0.08 ~ 0.10	6475	7.5	30.3	0.17
OD4020-12LSS01A	12	8 ~ 13.8	0.98	0.06 ~ 0.08	5150	6.5	24.1	0.14
OD4020-24HSS01A	24	14 ~ 26.4	1.72	0.07 ~ 0.09	8190	8.7	32.1	0.32
OD4020-24MSS01A	24	14 ~ 26.4	1.70	0.05 ~ 0.07	6475	7.5	30.3	0.17
OD4020-24LSS01A	24	14 ~ 26.4	1.20	0.04 ~ 0.05	5150	6.5	24.1	0.14



Tach Max Pullup Voltage: Fan Vcc
Tach Max Sink Current: 5mA
Tach Cycles per Rotation: 2