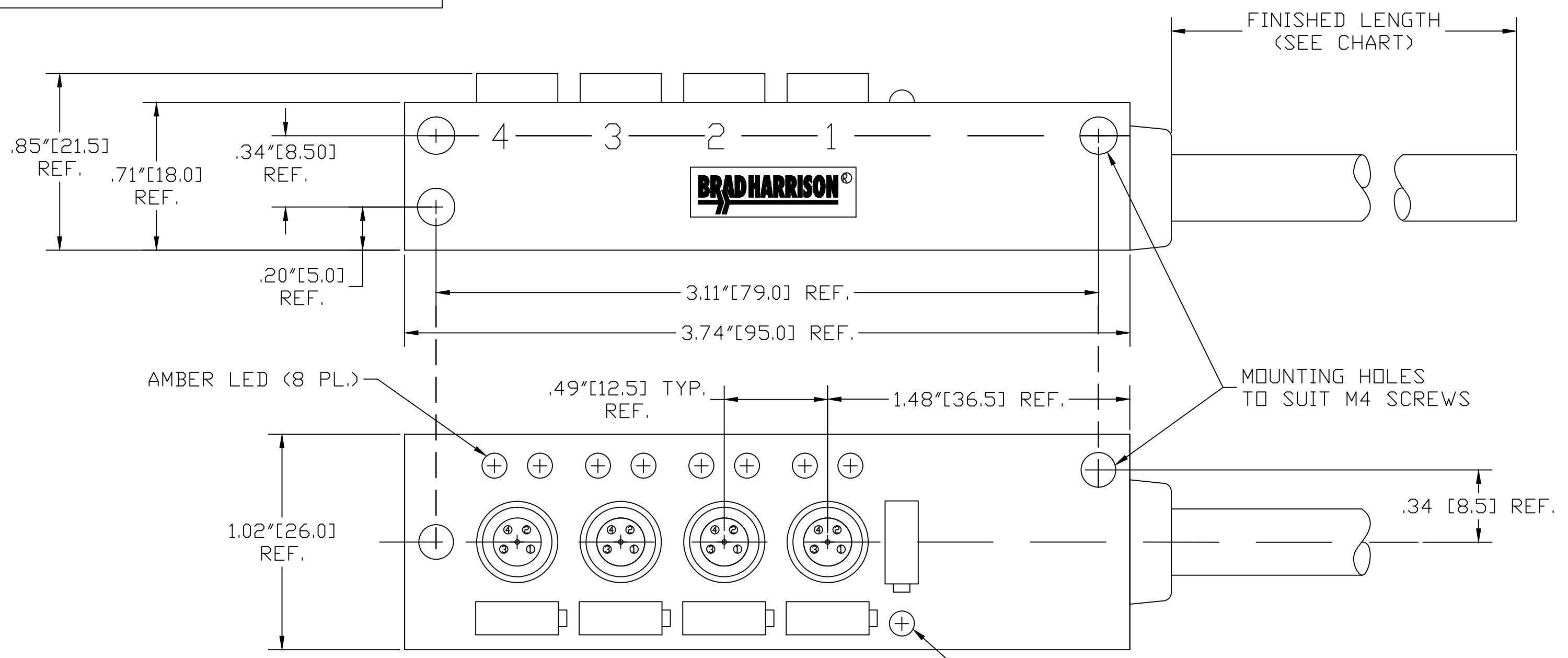


13	12	11	10	9	8	7	6	5	4	3	2	1
MATERIAL NUMBER		OLD PART NUMBER		FINISHED LENGTH								
120054-0034		BEY403P-FBP-05		16.40' +6.50" -0 [5.0M +165.1mm -0]								

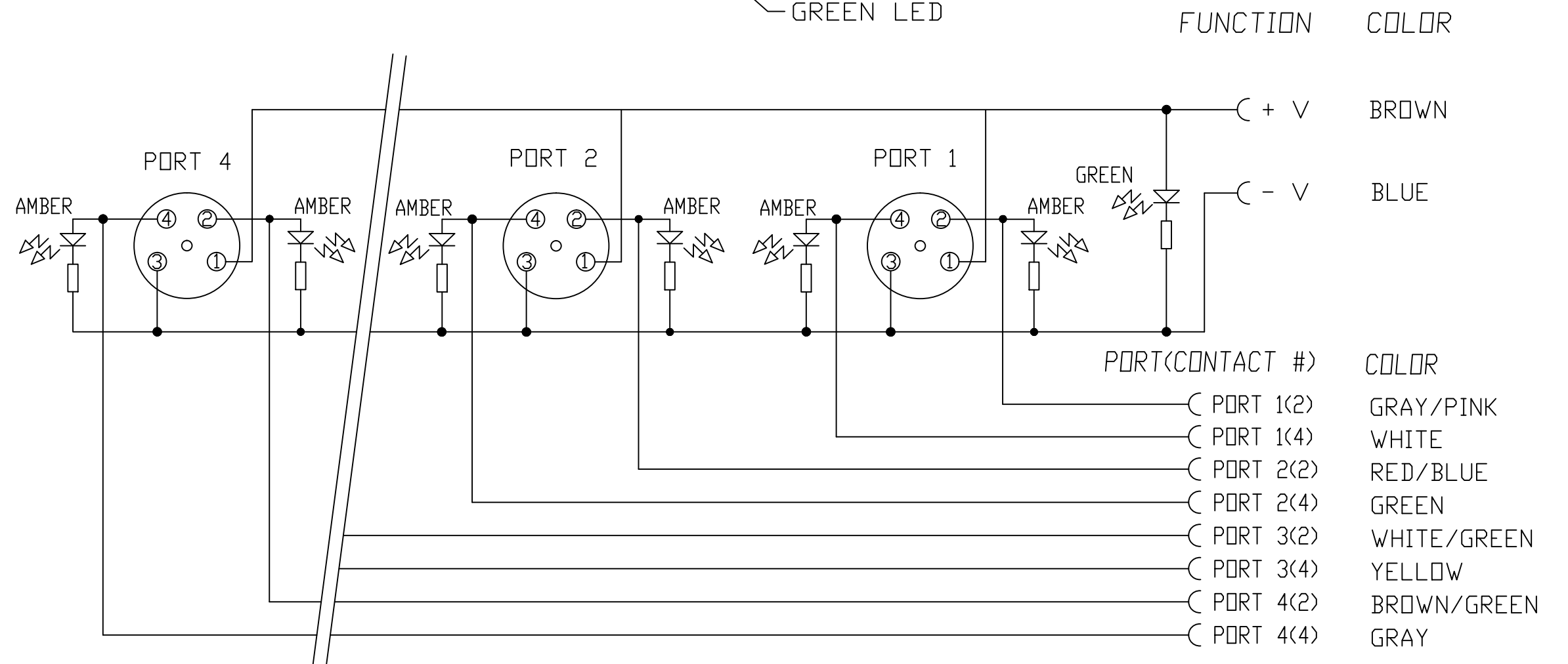


BEY403P-FBP-05

Wire type
2x.75mm + 8x.34mm
Black PUR

cable length
05----2 Meter
100----10 Meter

CONTACT:	GOLD/NICKEL OVER COPPER ALLOY
INSERT:	PUR, BLACK
HOUSING:	TPU, YELLOW
VOLTAGE RATING:	10 VAC/30 VDC
AMPERAGE RATING:	6 AMPS
PROTECTION:	IP67
OPERATING TEMPERATURE:	-5°C TO 90°C



INITIAL RELEASE EC NO.: IPG2014-0063 DRWN: EBRACKEN 2013/07/08 CHKD: RSTONE APPR: BWOODMAN2013/08/16	QUALITY SYMBOL	GENERAL TOLERANCES (UNLESS SPECIFIED)	DIMENSION STYLE	SCALE	DESIGN UNITS	THIRD ANGLE PROJECTION	
	$\nabla=0$ $\nabla C=0$	mm INCH 4 PLACES ±--- ±--- 3 PLACES ±--- ±.005 2 PLACES ±0.13 ±.010 1 PLACE ±0.25 ±.020	IN/MM	---	INCH		
		ANGULAR ±.5°	DRAWN BY DATE	TITLE	M8-MPIS 4 POLE-4 PORT-5M CABLE BLACK PUR MOLEX INCORPORATED		
		DRAFT WHERE APPLICABLE MUST REMAIN WITHIN DIMENSIONS	EBRACKEN 2013/06/18				
		APPROVED BY DATE	DOCUMENT NO.	SHEET NO. 1 OF 1			
		BWOODMAN 2013/08/16	SD-120054-001				
		MATERIAL NO.	THIS DRAWING CONTAINS INFORMATION THAT IS PROPRIETARY TO MOLEX INCORPORATED AND SHOULD NOT BE USED WITHOUT WRITTEN PERMISSION				
		SEE CHART					