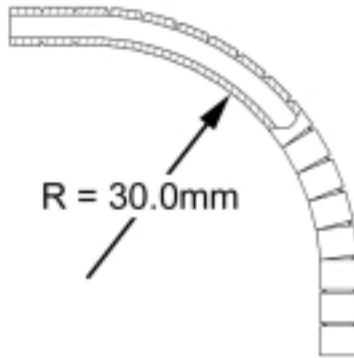


BEND LIMITING TUBING AND ACCESSORIES

OFBLT

Optical Fiber Bend Limiting Tubing



Miniflex technology manufactured by Richco – Patented

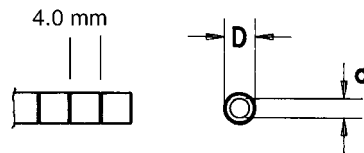
Description

The routing of fiber, cable and patch cords in racks and cable nodes is generally a difficult exercise. The resulting “spaghetti” is prone to transient losses and transmission failures, seriously risking fiber life and efficiency.

Miniflex Optical Fiber Bend Limiting Tubing (OFBLT) gives the highest available protection to these problems by resisting crushing and kinking and limiting fiber bends to an acceptable radius. A range of fittings and adapters are available for use with the Optical Fiber Bend Limiting Tubing. This allows fiber routing management, patching, reconfiguration and rough handling to occur repeatedly without fiber breaks or unintentional transmission loss.

Features

- Smooth bore
- Bend limitation at a controlled radius of 30mm
- Can be cut to length with fiber inside
- Suitable for fiber or patch cords up to .12 (3.1mm) OD
- Crush protection
- Improved fiber management
- Bend-limiting modulus: > 8 (see graph)
- Crush resistance is measured over 100mm; distortion < .5mm

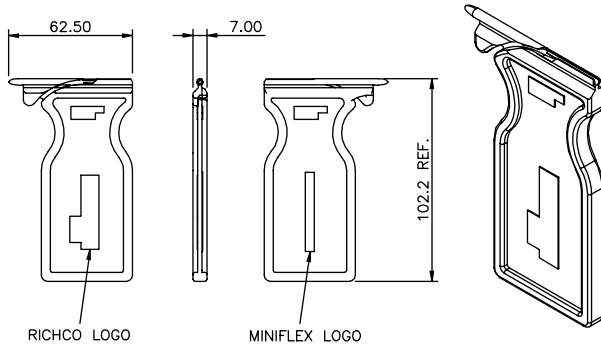


Part No.		Standard Pack: 100 meters / reel		
Material: Polypropylene Color: White	Material: P.B.T. UL94 V-0 Rated Color: Black	D	d	Crush Resistance
STANDARD VERSION				
OFBLT-2.6-05-PP	—	.20 (5.0mm)	.10 (2.6mm)	>1.0kN
OFBLT-3.1-05-PP	OFBLT-3.1-05-PBT V0	.20 (5.0mm)	.12 (3.1mm)	>0.5kN
OFBLT-4.2-635-PP	OFBLT-4.2-635-PBT V0	.25 (6.35mm)	.17 (4.2mm)	>0.5kN
PULL-CORD VERSION				
OFBLT-P-2.6-05-PP	—	.20 (5.0mm)	.10 (2.6mm)	>1.0kN
OFBLT-P-3.1-05-PP	OFBLT-P-3.1-05-PBT V0	.20 (5.0mm)	.12 (3.1mm)	>0.5kN
OFBLT-P-4.2-635-PP	OFBLT-P-4.2-635-PBT V0	.25 (6.35mm)	.17 (4.2mm)	>0.5kN
SLIT VERSION				
OFBLTS-2.6-05-PP	—	.20 (5.0mm)	.10 (2.6mm)	N/A
OFBLTS-3.1-05-PP	OFBLTS-3.1-05-PBT V0	.20 (5.0mm)	.12 (3.1mm)	N/A
OFBLTS-4.2-635-PP	OFBLTS-4.2-635-PBT V0	.25 (6.35mm)	.17 (4.2mm)	N/A

Parts available in PVDF (plenum rated) material by special order. To order, replace -PP or -PBT V0 with -PVDF • Color: Clear

BEND LIMITING TUBING AND ACCESSORIES

OFZT-2-14-RED OFBLT Zip Tool - 2mm (For Fiber Bundles up to 2mm Diameter)



Features

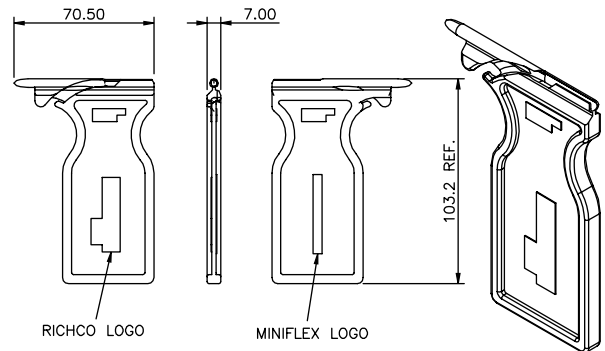
- To be used with OFBLTS-2.6-05 tubing

Material: Acetal, RMS-14 • Color: Red
Standard Pack: 1

Dimensioned in millimeters



OFZT-3-14-BLK OFBLT Zip Tool - 3mm (For Fiber Bundles up to 3mm Diameter)

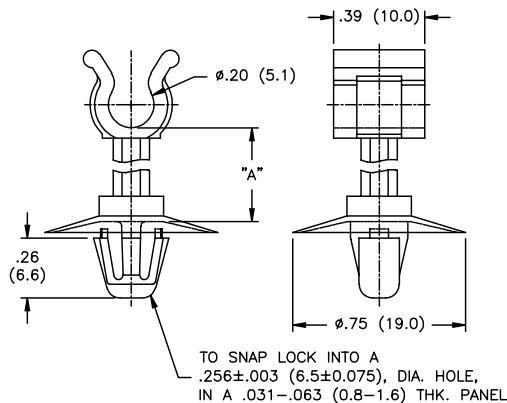


Features

- To be used with OFBLTS-3.1-05 or OFBLTS-4.2-635 tubing

Material: Acetal, RMS-14 • Color: Red
Standard Pack: 1

Dimensioned in millimeters



TPCE-5-5.1 Tube & Pipe Clip



Color: Natural		
Material: Nylon 6/ 6, RMS-01 Part No	Material: Flame Retardant Nylon, RMS-19 Part No.	Standard Pack: 1000 "A"
TPCE-5-5.1-4M-01	TPCE-5-5.1-4M-19	.16 (4.0)
TPCE-5-5.1-6M-01	TPCE-5-5.1-6M-19	.24 (6.0)
TPCE-5-5.1-8M-01	TPCE-5-5.1-8M-19	.32 (8.0)
TPCE-5-5.1-10M-01	TPCE-5-5.1-10M-19	.39 (10.0)

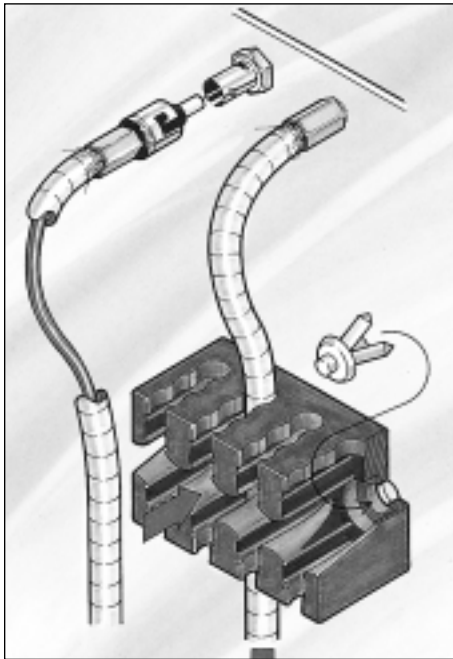
Features

- Holds 5mm OD Optical Fiber Bend Limiting Tubing (OFBLT) for routing through any design.
- Excellent for above board routing requirements.

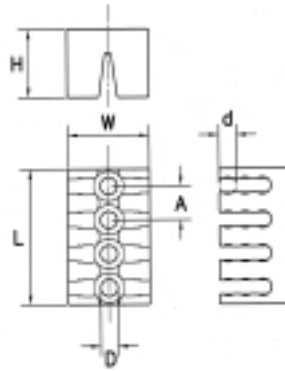
BEND LIMITING TUBING AND ACCESSORIES

OFSMB

Optical Fiber Slotted Multi Bracket



Miniflex technology manufactured by Richco – Patented



Description

Miniflex Optical Fiber Slotted Multi Brackets (OFSMB/OFSSMB) are for use at distribution points where orderly fiber management, protection and strain relief is required.

Slotted Multi Brackets can be adapted to individual needs with the use of Miniflex Optical Fiber Bend Limiting Tubing (OFBLT). From the initial fiber entry point, superior fiber protection against bending, crushing and kinking is secured. Assembly of tubes is made easy by a simple “lay-through” design, no threaded is required. Mounting of either bracket is easy, using screws or push rivets as shown.

An additional security feature allows fitting of a cable tie around SSMB's which prevents removal of any retained tubes.

Features

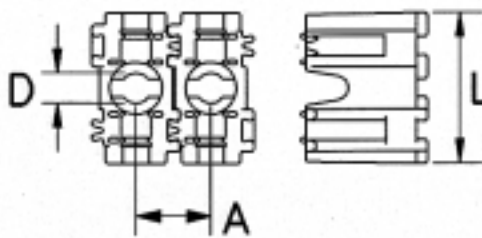
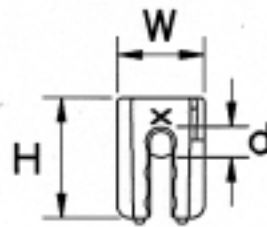
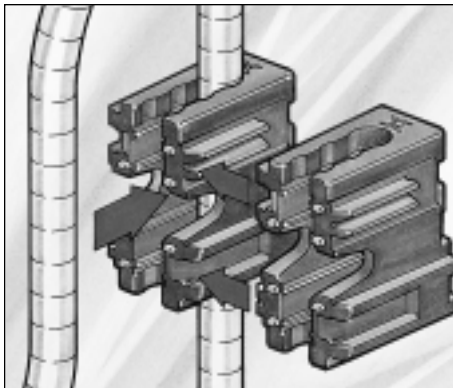
- OFBLT retention: >70N (22 lbs.)
- Holds a maximum of 12 tubes

Material: Glass Filled Flame Retardant Nylon, RMS-104 (UL 94VO) • Color: Black

Part No.	Standard Pack: 10/ bag					
	D Ø	A	d Ø	H	L	W
OFSMB-4-05-GFBLK	.20 (5.0 mm)	.39 (10.0 mm)	.20 (5.0 mm)	.78 (20.0 mm)	1.57 (40.0 mm)	.98 (25.0 mm)

OFSSMB

Optical Fiber Single Slotted Multi Bracket



Features

- OFBLT retention: >70N (22lb.)
- Holds a maximum of 3 tubes
- Ability to latch to other SSMB's

Miniflex technology manufactured by Richco – Patented

Material: Glass Filled Flame Retardant Nylon, RMS-104 (UL 94VO) • Color: Black

Part No.	Standard Pack: 10/ bag					
	D Ø	A	d Ø	H	L	W
OFSSMB-1-05-GFBLK	.20 (5.0mm)	.49 (12.5 mm)	.20 (5.0 mm)	.78 (20.0 mm)	.98 (25.0 mm)	.57 (14.5 mm)

BEND LIMITING TUBING AND ACCESSORIES

Description

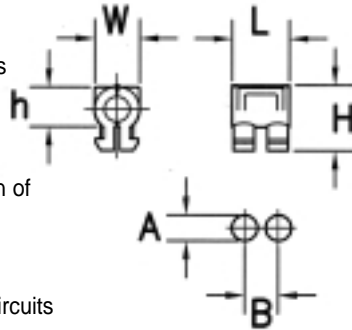
The Miniflex Optical Fiber Tube Gripper Saddle (OFTGS) enables Optical Fiber Bend Limiting Tube (OFBLT) to be anchored to a chassis or splice tray by the simple provision of 2 holes.

The saddle is placed over the OFBLT and closed down to engage on the external grooves of the tube, no threading is required. Secure attachment is completed by pressing the retaining feet through location holes

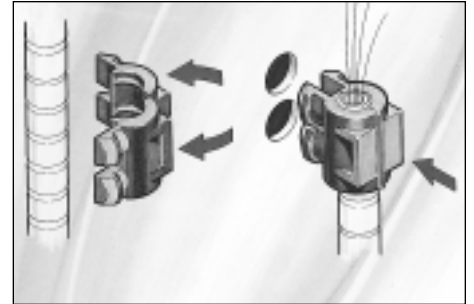


Features

- Mid point or end termination of OFBLT
- Easy to locate and use
- Provides secure fixing
- Controlled routing of fiber circuits
- Maximum panel thickness: 1.75mm (.068")



OFTGS Optical Fiber Tube Gripper Saddle

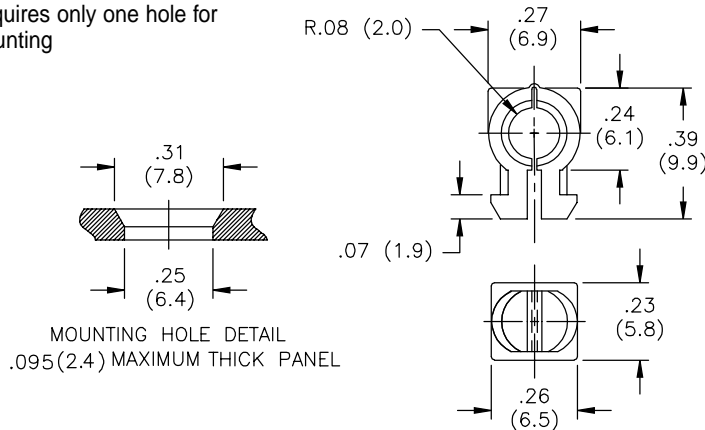


Miniflex technology manufactured by Richco – Patented

Part No.	Material	Color	Standard Pack:	h	A	B	H	L	W
OFTGS-1-05-E901	Elastomer, RMS-98	Black	100/bag	.24	.20	.275	.39	.39	.26
OFTGSP-2-05-19	Flame Retardant Nylon 6/6, RMS-19	Natural		(6.1mm)	(5.0mm)	(7.0mm)	(10.0mm)	(10.0mm)	(6.5mm)

Features

- Requires only one hole for mounting



OFTGSP-1-05-19 Optical Fiber Tube Gripper Saddle



Miniflex technology manufactured by Richco – Patented

Material: Nylon 6/ 6 Flame Retardant, RMS-19 • Color: Natural
Standard Pack: 100 per bag

Description

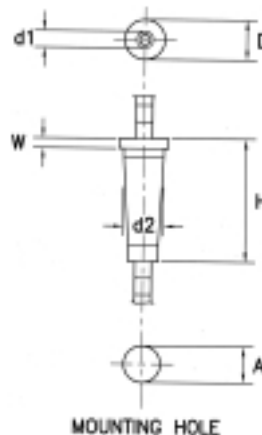
The Miniflex Optical Fiber Strain Relief Gland (OFSRG) enables ruggedized patch cords, or fiber bundles, protected in Optical Fiber Bend Limiting Tube (OFBLT) to be anchored to a chassis, or distribution trunking system, by the simple provision of a single hole.

The OFBLT is passed through the gland and is secured by the integral Tube Gripper Clip. This ensures a pull out resistance of over 100N (22 lbs.) while still ensuring a 30mm radius bend control and crush protection.

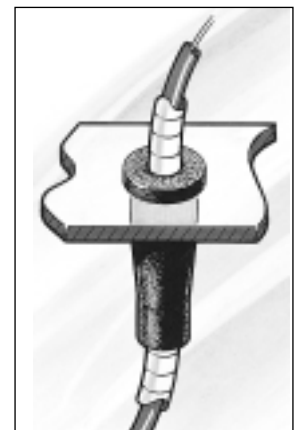


Features

- OFBLT retention: >100N (22 lbs.)
- Mid point or end termination of OFBLT
- Provides secure fixing



OFSRG Optical Fiber Strain Relief Gland

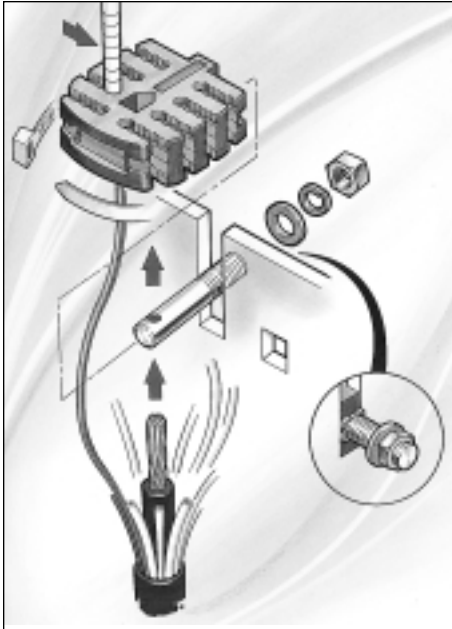


Miniflex technology manufactured by Richco – Patented

Part No.	Standard Pack: 10/ bag					
	D Ø	d1 Ø	d2 Ø	A Ø	H	W
OFSRG-05-BLK	.59 (15.0mm)	.20 (5.0mm)	.47 (12.0mm)	.43 (11.0 mm)	1.46 (37.0 mm)	0.12 (3.0mm)
OFSRG-05-BLK also available without Tube Gripper Clip to provide bending relief only						

BEND LIMITING TUBING AND ACCESSORIES

OFCBU/OFCBUGB Optical Fiber Cable Breakout Unit



Miniflex technology manufactured by Richco – Patented

OFCBUGB - “Gland Box”



Description

At distribution points, multi-fiber cables need to have the individual fibers or cable elements separated and protected by a management system.

The cable strength member has to be terminated and anchored to prevent damage to the fibers from cable movement or pull out.

The Miniflex Optical Fiber Cable Breakout Unit (OFCBU) affords quick, easy and positive arrangements of the fibers or cable elements, which are sheathed in Miniflex Optical Fiber Bend Limiting Tubing (OFBLT) to give permanent protection. Assembly of tubes is made easy by a simple “lay through” design, no threading is required.

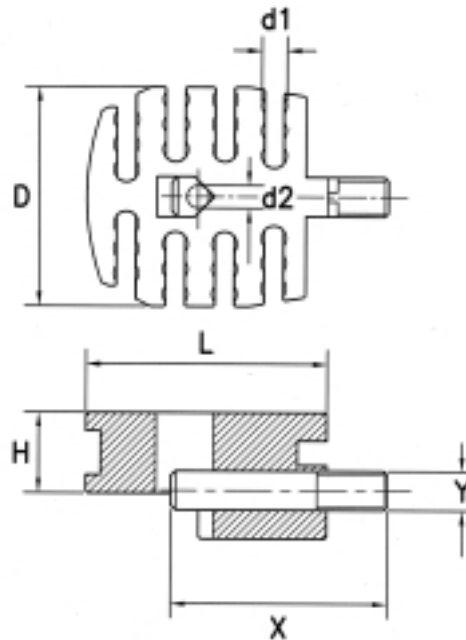
The strength member retainer is simply inserted over the terminated cable as shown and clamps both the cable and the breakout unit to the jointing chassis.

A secure fiber management system that minimizes installation time and maximizes fiber integrity and security. Once installed, it can be left with total peace of mind.

For further protection, a GRP Gland box is available. Please contact the factory for details.

Features

- Cable retention: >1.5kN (337 lbs.)
- OFBLT retention: >100N (22 lbs.)
- Maximum of 24 cable elements or 24 fiber bundles



Part Number	Cable Diameter
OFCBUGB-00	4.0 - 8.5
OFCBUGB-0	7.5 - 20.0
OFCBUGB-1	9.5 - 13.0
OFCBUGB-2	13.0 - 18.0
OFCBUGB-3	17.5 - 25.0

Dimensioned in millimeters

Material: Flame Retardant Nylon, RMS-19 (UL 94V0); Bolt: Stainless Steel • Color: Black							
Part No.	Standard Pack: 10/ bag						
	d1	d2	D	H	L	X	Y
OFCBU-24-05-19BLK	.20 (5.0 mm)	.19 (4.7mm)	1.73 (44.0 mm)	.63 (16.0 mm)	1.93 (49.0 mm)	1.73 (44.0 mm)	.31 (8.0 mm)

BEND LIMITING TUBING AND ACCESSORIES

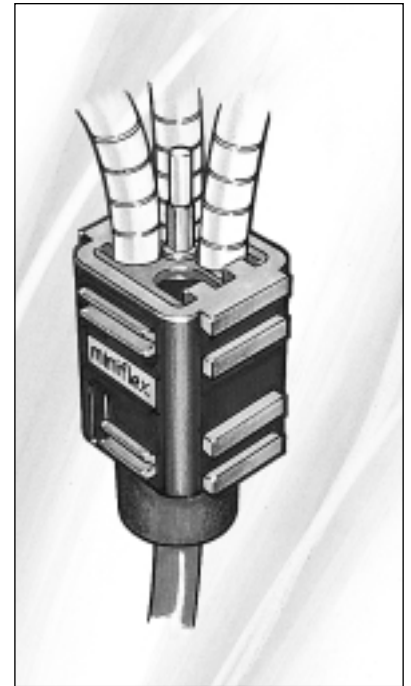
Description

The Miniflex, 1 into 4, Optical Fiber Manifold (OFM) enables small multiple fiber cables with aramid and similar strength reinforcement or central GRP strength member to be mechanically and securely terminated. Optical Fiber Bend Limiting Tubing (OFBLT) at the output ports gives full radius control and crush protection while still allowing an easy to route fiber "lay-through" design. OFBLT can also be used at the input port

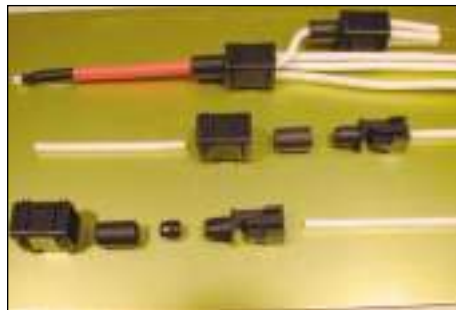
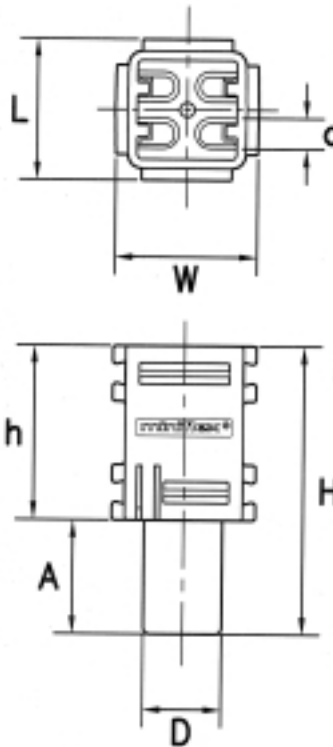
Features

- Fiber Bend Control: 30mm (1.18") radii minimum
- Ability to stack
- Tube retention: >100N (22 lbs.)
- For OFM Crimp Rings (For terminating GRP strength members) order: OFM-CR
- For a Development Kit containing all adaptors, order: OFM-4-05-19BLK

OFM Optical Fiber Manifold



Miniflex technology manufactured by Richco – Patented



OFM-04-PG16BLK - "Gland Box"



Part No.	D	h	A	d	H	L	W
OFM series	.51 (13.0 mm)	1.14 (29.0 mm)	.73 (18.5 mm)	.20 (5.0 mm)	1.87 (47.5 mm)	0.91 (23.0 mm)	0.91 (23.0 mm)

Material: Flame Retardant Nylon, RMS-19 (UL 94V0) • Color Black

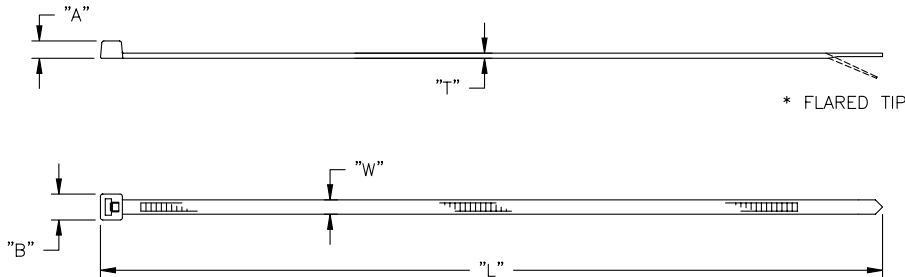
Part No.	Standard Pack: 10/ bag	
	Incoming Cable Size Diameter	Adaptor Color
OFM-C-1-05-19BLK	.098 - .138 (2.5 - 3.5mm)	Black
OFM-C-2-05-19BLK	.118 - .157 (3.0 - 4.0mm)	Blue
OFM-C-3-05-19BLK	.161 - .197 (4.1 - 5.0mm)	Brown
OFM-C-4-05-19BLK	.201 - .236 (5.1 - 6.0mm)	Green
OFM-C-5-05-19BLK	.240 - .276 (6.1 - 7.0mm)	Red
OFM-C-6-05-19BLK	.280 - .335 (7.1 - 8.5mm)	Black Rubber
OFM-C-7-05-19BLK	.335 - .425 (8.5 - 10.8mm)	Black Rubber
OFM-T-05-19BLK	.197 (5.0mm) OFBLT	Split Black
OFM-T-635-19BLK	.197 - .250 (5.0 - 6.35mm) OFBLT	Split Blue

BEND LIMITING TUBING AND ACCESSORIES

Features

- Serviceable to 185°F (85°C)
- UL recognized #E71558
- HS Series serviceable to 221°F (105°C) Material UL #E41988 UL 94-V2
- ST Series for extreme temperatures down to -40°F (-40°C); Material UL #41938
- UVB Series for outdoor applications

WIT Wrap-It Tie



WIT SERIES

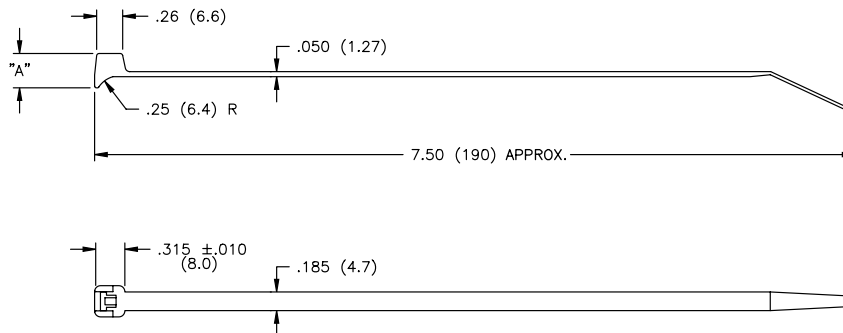
Part No.	Min. Loop Tensile (lbs.)	Length "L" Approx.	Max. Bundle Dia.	Width "W" Ref.	Thickness "T" Ref.	"A"	"B"	Std Pack		Material
								-C	-M	UL-V0
RMS #: -01										-75 A
Mtrl: Nylon 6/ 6										Nylon 6/ 6
Color: Natural										Color: White
Suffix								-C	-M	-V0
WIT-18R*	18	4.52 (114.8)	.75 (19.1)	.10 (2.5)	.04 (1.0)	.15 (3.8)	.19 (4.8)	100	1,000	Standard
WIT-30R	30	5.75 (146.1)	1.25 (31.8)	.14 (3.6)	.05 (1.3)	.17 (4.3)	.25 (6.4)			
WIT-50R	50	8.00 (203.2)	2.00 (50.8)	.19 (4.8)	.05 (1.3)	.21 (5.3)	.31 (7.9)			
WIT-60R	60	10.75 (273.1)	2.75 (69.9)	.18 (4.6)	.05 (1.3)	.20 (5.1)	.32 (8.1)			

*Flared tip

WITCH-50R Contour Head Wrap-It-Tie

Features

- Contour head allows 360° contact around bundle, tube or hose

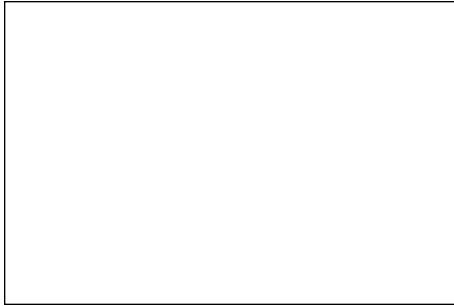


Material: Nylon 6/ 6, RMS-01 • Color: Natural							
Part No.	Maximum Bundle Dia.	Minimum Bundle Dia.	Minimum Loop Tensile (lbs)	"A"	Standard Pack		UVB Stabilized Nylon 6/ 6, RMS 46 Color: Black
Suffix					-C	-M	-UVB
WITCH-50R	1.875 (47.6)	.25 (6.4)	50	.340 (8.6)	100 per bag	1000 per bag	Standard

BEND LIMITING TUBING AND ACCESSORIES

WIT-RT

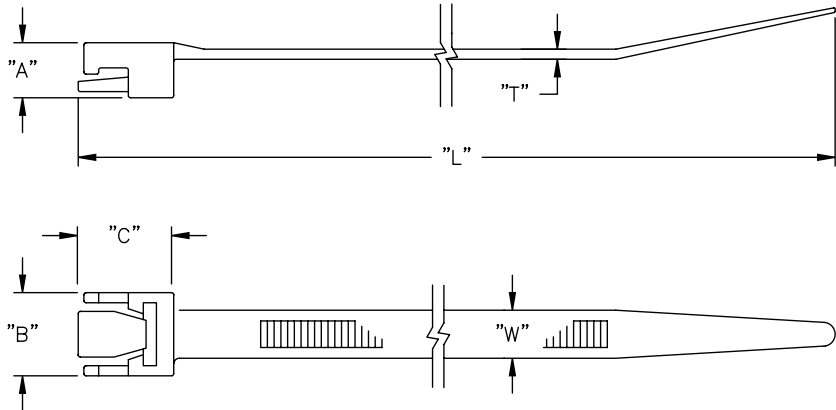
Release Tab Wrap-It-Tie



Patent #4236280

Features

- Easily releasable with the use of the large release tab design



Material: Nylon 6/ 6, RMS-01 • Color: Natural								
Part No.	Standard Pack: 100 (-C) 1000 (-M)							
	Min. Loop Tensile (lbs.)	Approx. Length "L"	Max. Bundle Dia.	Width "W" Ref.	Thickness "T"	"A"	"B"	"C"
WIT-RT-0550	40	5.50 (139.7)	1.25 (31.8)	21 (5.3)	.05 (1.3)	.24 (6.1)	.36 (9.1)	.45 (11.4)
WIT-RT-1550		15.50 (393.7)	4.25 (108.0)		.04 (1.0)	.23 (5.8)		.40 (10.2)

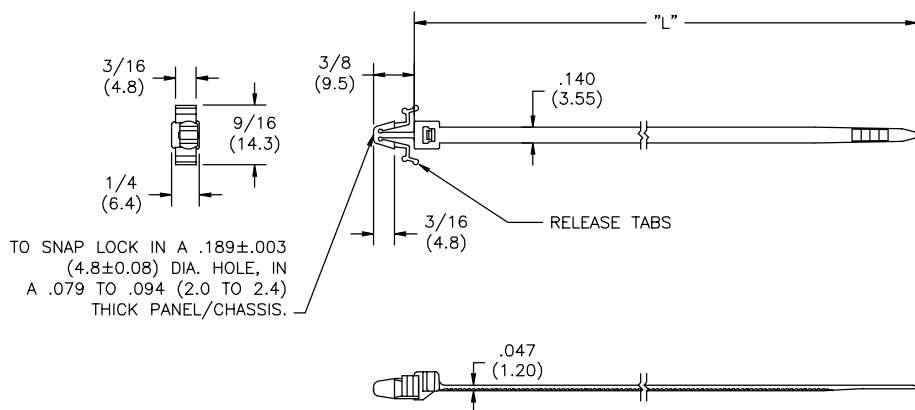
WIT-30XAR

Releasable Arrowhead Tie



Features

- Allows user to remove tie from board

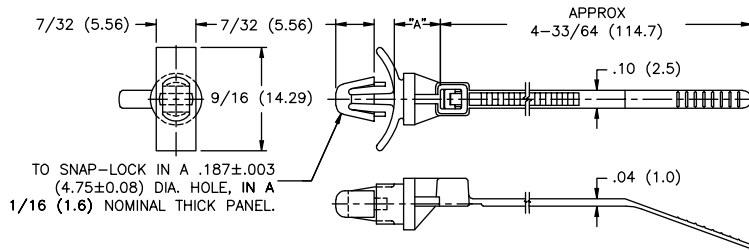


Material: Nylon 6/ 6 (RMS-01) • Color: Natural			
Part No.	Standard Pack: 1000 pieces		
	"L" Length Approx.	Max. Bundle Dia.	Min. Loop Tensile (lbs.)
WIT-30RAR1-2	4.75 (120.7)	1.00 (25.4)	30
WIT-30LAR1-2	5.75 (146.0)	1.50 (38.1)	

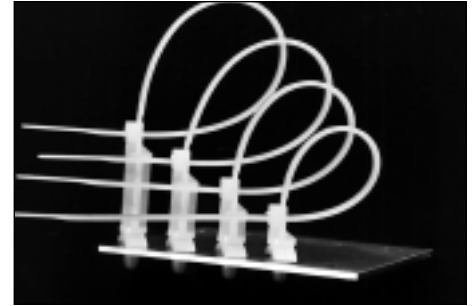
BEND LIMITING TUBING AND ACCESSORIES

WIT-18RA/R1A/R2A

Self Mount Wrap-It-Tie

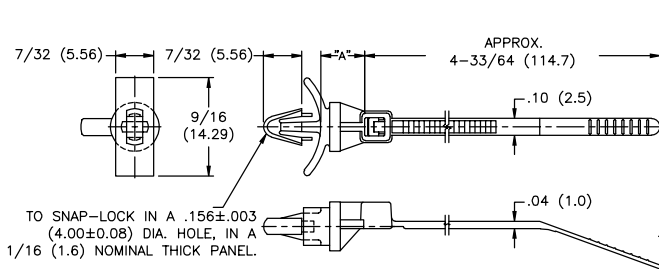


WIT-18RA

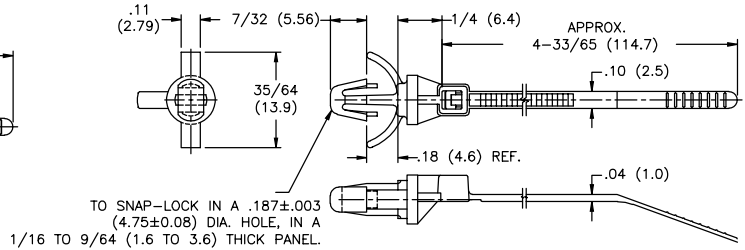


Features

- Spaces bundle or harness above board
- Replaces two piece part application



WIT-18R1A

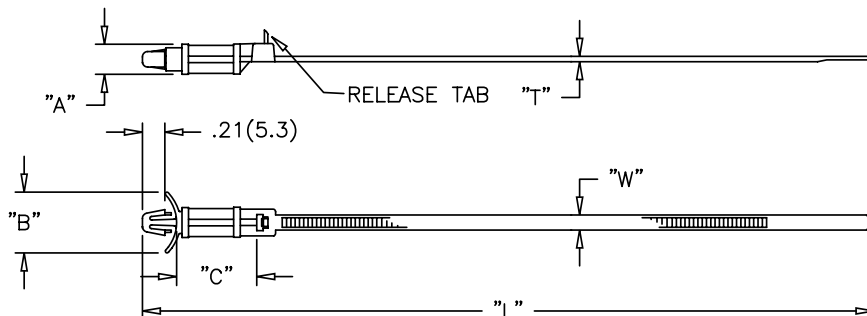


WIT-18R2A

Material: Nylon 6/ 6, RMS-01 • Color: Natural								
Part No.	Standard Pack: 1000 per bag							
	Min. Loop Tensile (lbs.)	Approx. Length "L"	Max. Bundle Dia.	Width "W" Ref.	Thickness "T"	"A"	Hole Dia.	Panel Thickness Range
WIT-18RA-4-01	18	4.516 (114.7)	.750 (19.1)	.10 (2.5)	.04 (1.0)	.250 (6.4)	.187 ± .003 (6.75 ± 0.08)	.031 (.79) - .078 (2.0)
WIT-18R1A-6-01						.375 (9.5)	.156 ± .003 (4.0 ± 0.08)	
WIT-18R2A-8-01						.500 (12.7)	.178 ± .003 (4.75 ± 0.08)	

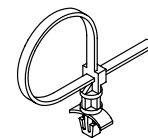
WIT-30RR

Self Mount Ties



Features

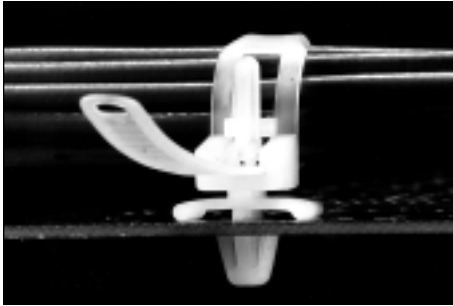
- Allows above-board mounting of bundled cable and is releasable using designed-in release tab



Material: Nylon 6/ 6, RMS-01 • Color: Natural										
Part No.	Standard Pack: 1000 per bag									
	Min. Loop Tensile (lbs.)	Approx. Length "L"	Max. Bundle Dia.	Width "W" Ref.	Thickness "T"	"A"	"B" Ref.	"C" Ref.	Hole Dia.	Panel Thickness Range
WIT-30RRA-4	30	6.312 (160.3)	1.250 (31.8)	.14 (3.6)	.05 (1.3)	.28 (7.1)	.562 (14.3)	.281 (7.1)	.187 (4.8)	.031 (0.8) - .078 (2.0)
WIT-30RRA-16		7.062 (179.4)						1.00 (25.4)		

BEND LIMITING TUBING AND ACCESSORIES

TOAH-18-01 Tie On Arrowhead



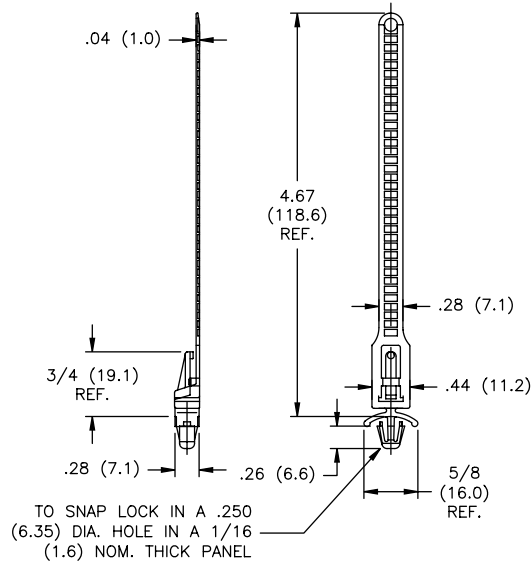
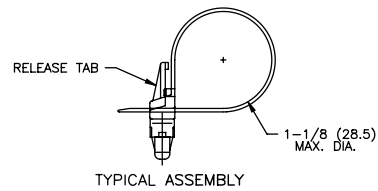
Features

- Release mechanism allows for easy removal or additions to bundles

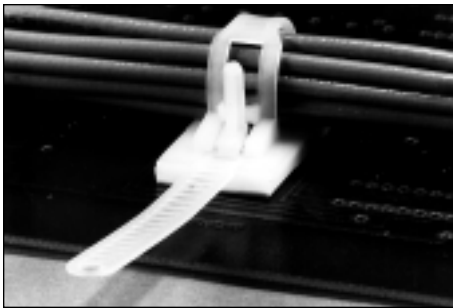
Material: Nylon 6/ 6, RMS-01 • Color: Natural, Black available by Special Order

Standard Pack: 1000 per bag

Min. Loop Tensile (lbs.) 40



TOBS-18-01A-RT Tie On Base, Screw



Features

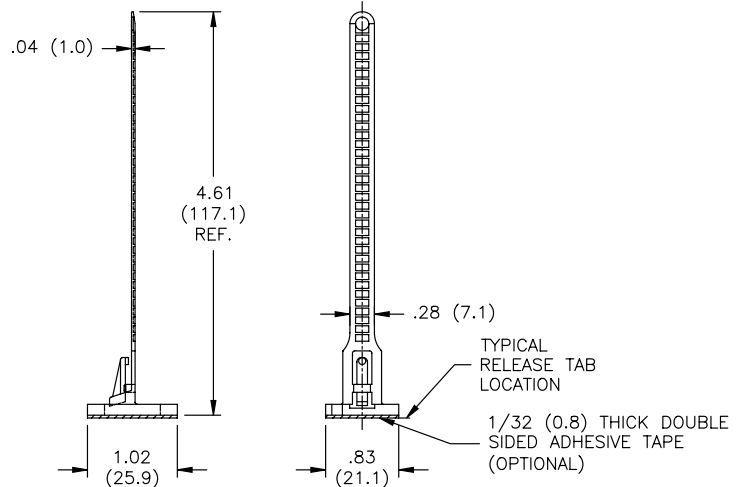
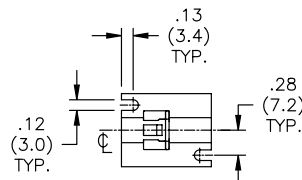
- Releasable
- Two mounting slots on base to accommodate #4 screws allow secure "screw-down" installation
- Base has slot to guide strap under the locking mechanism

Material: Nylon 6/ 6, RMS-01 • Color: Black

Standard Pack: 1000 per bag

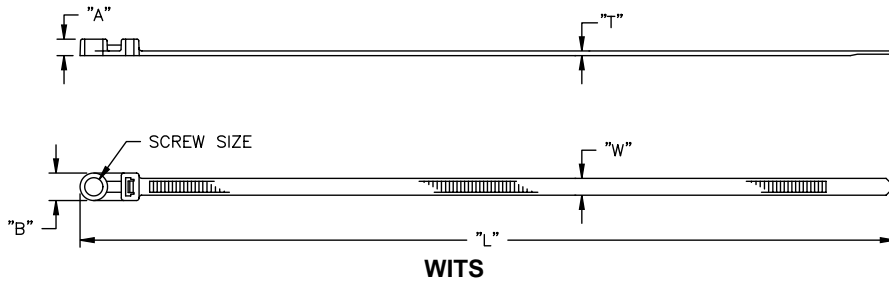
Min. Loop Tensile (lbs.) 18

Maximum Bundle Diameter = 1-1/ 8"



BEND LIMITING TUBING AND ACCESSORIES

WITS Wrap-It-Tie/Screw Mount

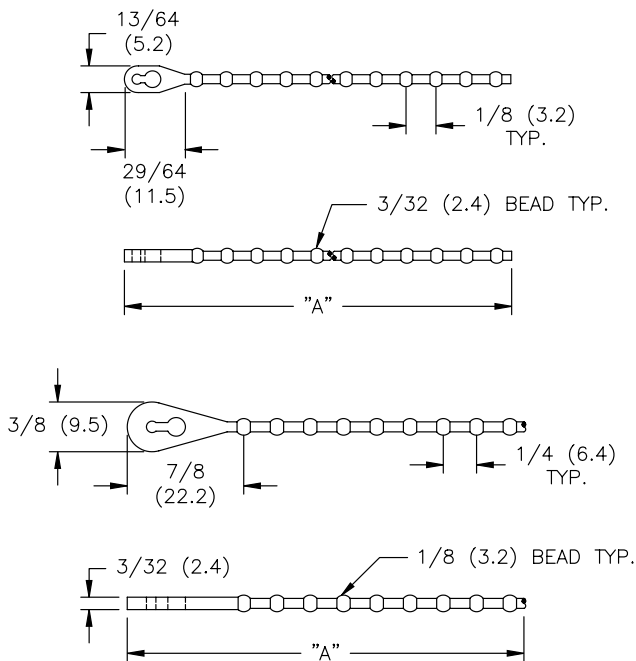


Features

- Screw mount ties eliminate the need for a mounting device

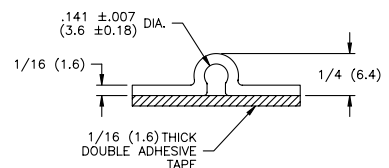
Material: Nylon 6/ 6, RMS-01 • Color: Natural											
Part No.	Min. Loop Tensilee (lbs.)	"L" Length Approx.	Max. Bundle Dia.	"W" Width Ref.	"T" Thickness Ref.	"A"	"B"	Screw Size	Standard Package		
									-C	-D	-M
WITS-4-18MR	18	5 (127.0)	3/4 (19.1)	.10 (2.5)	.04 (1.0)	.12 (3.0)	.23 (5.8)	#4	100	-	1000
WITS-8-50MS		6-3/4 (171.5)	1-1/2 (38.1)	.19 (4.8)	.05 (1.3)	.37 (9.4)	.37 (9.4)				
WITS-10-50MRL	50	8-11/16 (220.7)	2 (50.8)	.30 (7.6)	.07 (1.8)	.29 (7.4)	.50 (12.7)	#10		500	-
WITS-14-120ML	120	21-7/8 (555.6)	.30 (7.6)	.30 (7.6)	.07 (1.8)	.29 (7.4)	.50 (12.7)	1/4			

BT Beaded Tie



Features

- Excellent for temporary or releasable applications
- Beaded design keeps wires from shifting and slipping



THA-RT

NOTE:

To mount, use Richco Part No. THA-RT Tie Holder,

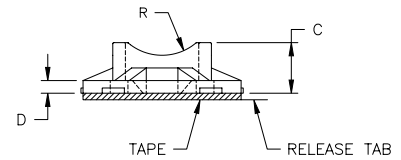
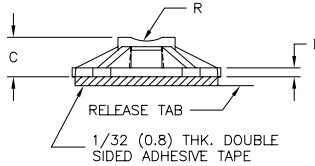
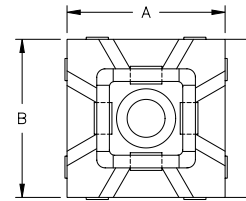
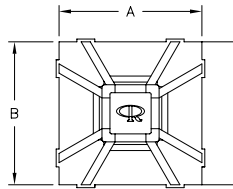
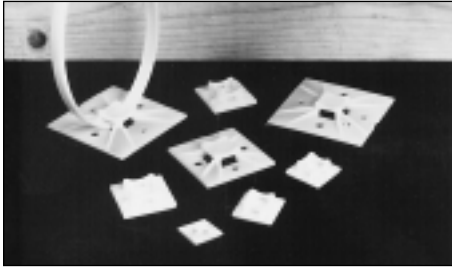
Part No.	Standard Pack: 1000 per bag						
	Length "A" Approx.	Figure No.	Color - Red Material: Polypropylene, RMS-10 -10-RD	Color - Yellow Material: Polypropylene, RMS-10 -10-YL	Color - Blue Material: Polypropylene, RMS-10 -10-BL	Color - Black Material: Polypropylene, RMS-10 -10-BK	Color - Natural Material: Nylon 6/ 6, RMS-01 -01-NT
BT-2	2.50 (63.5)	1	Standard	Standard	Standard	Special	Special
BT-4	4.00 (101.6)					Standard	
BT-5	5.00 (127.0)						
BT-6	6.00 (152.4)						
BT-8	8.75 (222.3)	2	Standard	Standard	Standard	Special	Standard
BT-10	10.75 (273.1)						
BT-12	12.75 (323.9)						

BEND LIMITING TUBING AND ACCESSORIES

FTH/MFTH Flat Tie Holder



• UL #E71558



MFTH-2-01A-RT

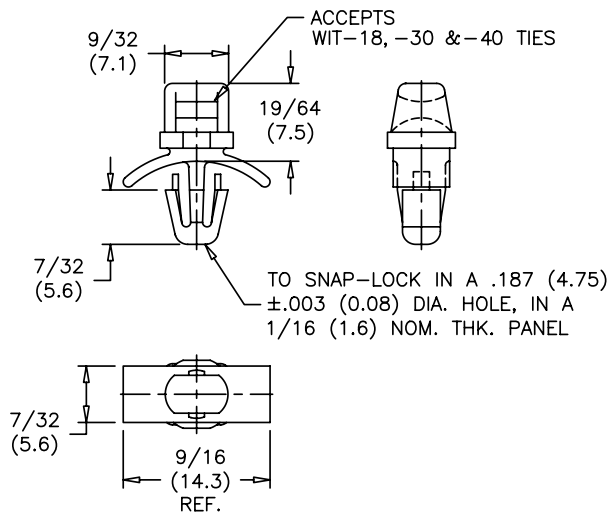
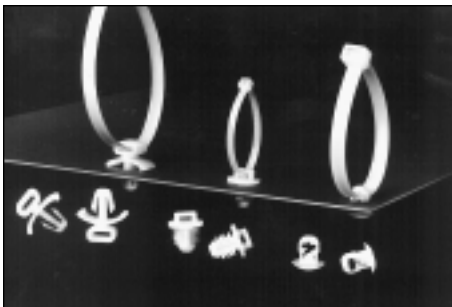
FTH-7A-RT

Material: Nylon 6/ 6, RMS-01 • Color: Natural										
Part No.	Can be used with Ties	"A"	"B"	"C"	"D"	"R"	Recommended Mounting Screw	Standard Pack: 100 (-C) or 1000 (-M)		Adhesive
MFTH-2-01A-RT	18	.50 (12.7)	.50 (12.7)	.14 (3.5)	.031 (0.8)	1/8 (3.2)	N/A	100	1000	Acrylic-Based
FTH-7A-RT	50 & 60	.100 (25.4)	1.00 (25.4)	.28 (7.1)	.08 (2.0)	3/8 (9.5)	#8			
Double-backed acrylic adhesive A-RT, RMS-15										
Flame Retardant Nylon, RMS-19 available by special order. To order, replace -01 with -19										

FTH-3-01 Flat Tie Holder



• UL #E71558



Features

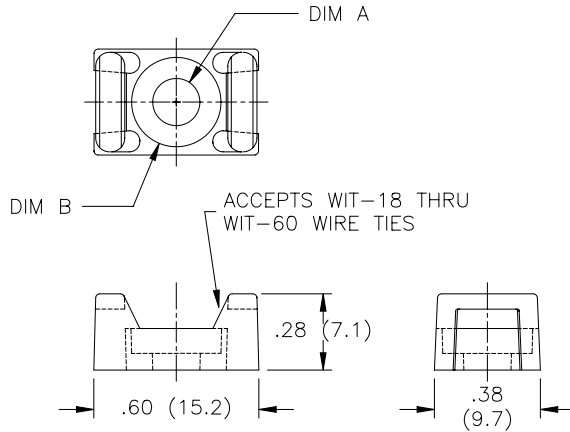
- Holds down cables for specific routing designs

<p>Material: Nylon 6/ 6, RMS 01 • Color: Natural</p> <p>Standard Pack: 100 (-C) or 1000 (-M) per bag.</p> <p>Specify suffix when ordering.</p>
--

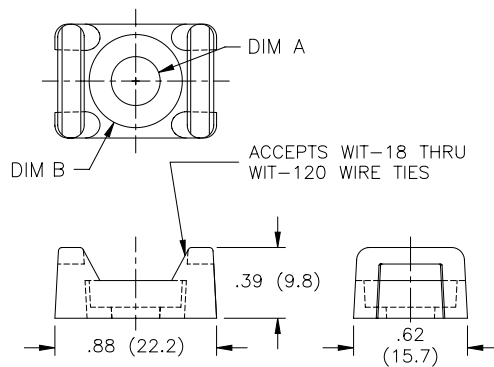
BEND LIMITING TUBING AND ACCESSORIES



• UL #E71558



FTH-13R-01



FTH-14R-01

Material: Nylon 6/ 6, RMS-01 • Color: Natural				
Part No.	Standard Pack: 100 (-C) or 1000 (-M)			
	Can be used with Ties	"A" Dia.	"B" Dia.	Recommended Mounting
FTH-13R-01	WIT-18 to WIT-60	.17 (4.3)	.32 (8.1) C'bore	River Mount See Table 1
FTH-14R-01	WIT-18 to WIT-120	.21 (5.2)	.38 (9.5) C'bore	River Mount See Table 2

UV stabilized material available by special order. To order add -UVB to end of part number

FTH Flat Tie Holder



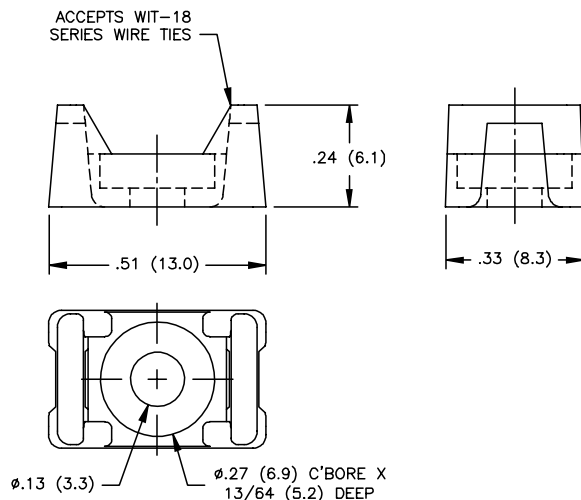
Features

- Screw or rivet mounted
- Designed for 18 pound up to 120 pound tensile strength ties

Rivet No.	Hole Dia.	Panel Thickness Range
SR-4050	.161 (4.1)	.018 - .058 (0.5 - 1.5)
SR-4060		.058 - .097 (1.5 - 2.5)
SR-4070		.097 - .137 (2.5 - 3.5)
SR-4080		.137 - .176 (3.5 - 4.5)
SR-4100		.215 - .255 (5.5 - 6.5)

Rivet No.	Hole Dia.	Panel Thickness Range
SR-5055	.201 (5.1)	.020 - .048 (0.5 - 1.2)
SR-5065		.048 - .087 (1.2 - 2.2)
SR-5075		.087 - .127 (2.2 - 3.2)
SR-5085		.127 - .166 (3.2 - 4.2)
SR-5095		.166 - .205 (4.2 - 5.2)

FTH-28RS-01 Flat Tie Holder



Features

- Tie holder to accept either a 30XX series rivet or a #4 (M3) screw

Material: Nylon 6/ 6, RMS 01 • Color: Natural
Standard Pack: 1000 per bag.