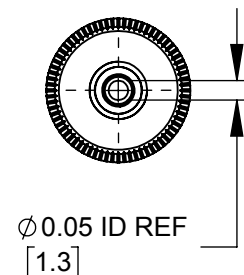
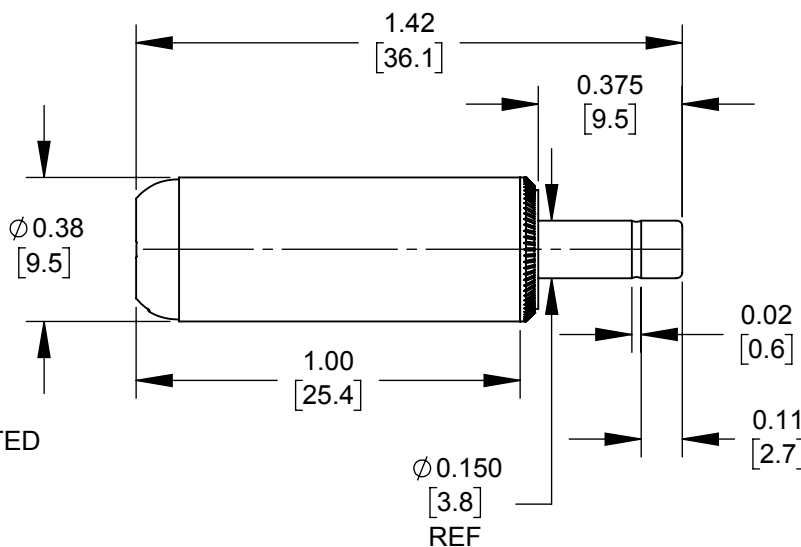
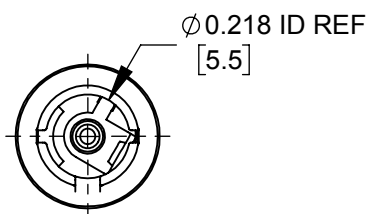


PART NUMBER	HANDLE COLOR
860Z	BLACK
865Z	RED



NOTES:

- MATERIALS:
 CONDUCTORS - COPPER ALLOY, NICKEL PLATED
 TERMINALS - COPPER ALLOY, TIN PLATED
 INSULATORS & HANDLE - THERMOPLASTIC
- THIS PRODUCT IS RoHS COMPLIANT.

CUSTOMER DRAWING

					THIS DRAWING DESCRIBES A DESIGN CONSIDERED PROPRIETARY IN NATURE, DEVELOPED AND MANUFACTURED BY SWITCHCRAFT INC. AND IS RELEASED ON A CONFIDENTIAL BASIS FOR IDENTIFICATION PURPOSES ONLY.					
UNLESS OTHERWISE SPECIFIED 1. ALL DIMENSIONS IN INCHES [mm] - TWO PLACE DECIMALS ±0.02 [0.5] - THREE PLACE DECIMALS ±0.005 [0.13]					SIZE	WIDTH	MULT	LBS/M	TEMPER	
					FINISH		MATERIAL		SPEC No.	
					FIRST USED ON		SCALE		Switecraft®	
0A	FIRST DRAWN	11/05/19	AM	*	DATE DRAWN	BY	CHKD	APVD	SHEET 1 OF 1	
REV	ECO NUMBER	DATE	BY	APVD	11/05/19	AM	*	*		
REVISIONS					NAME Ø0.050 [1.3]mm X 0.374 LONG IMPROVED POWER PLUG, RoHS					
DO NOT SCALE DRAWING					PART No. 860Z-865Z					
					REV 0A					

