

## Connector set - DC-B 6-SET-3D-M20-M-7X4-UT - 1602290

Please be informed that the data shown in this PDF Document is generated from our Online Catalog. Please find the complete data in the user's documentation. Our General Terms of Use for Downloads are valid (<http://phoenixcontact.com/download>)



Duplicon, aluminum distributor set with a basic housing (enclosed bottom), with three stackable housings with M20 cable screw connection threads (without cable screw connections), with three contact inserts 6 x 4 mm<sup>2</sup> + PE, 400/690 V, 25 A, screw connection and a housing cover, type B6, IP67 protection



### Key Commercial Data

Packing unit	1 pc
Weight per Piece (excluding packing)	851.1 g
Custom tariff number	85366990
Country of origin	Germany

### Technical data

#### Dimensions

Height	151 mm
--------	--------

#### Ambient conditions

Degree of protection	IP65/IP66/IP67
Ambient temperature (operation)	-40 °C ... 100 °C

#### Electrical characteristics

Rated voltage (III/3)	400 V (L-PE)
	690 V (L-L)
Rated surge voltage	6 kV
Rated current	25 A (with 4 mm <sup>2</sup> conductor cross section)
Maximum load current	32 A (L1/L2/L3)
Overvoltage category	III
Pollution degree	3

# Connector set - DC-B 6-SET-3D-M20-M-7X4-UT - 1602290

## Technical data

### Material data

Contact material	Cu
Contact surface material	Ag
Contact carrier material	PA
Housing material	Aluminum die-cast
Housing surface material	EMC-conductive
Seal material	NBR
Locking latch material	Stainless steel
Material grip body interlock	PA

### General

Type	DC-B6
Color	pearl gray
Insertion/withdrawal cycles	≥ 100
Number of positions	6
Stripping length of the individual wire	10 mm
Conductor cross section	0.2 mm <sup>2</sup> ... 4 mm <sup>2</sup> (6 mm <sup>2</sup> without ferrule)
Connection cross section AWG	24 ... 12 (AWG 10 without ferrule)
Tightening torque	0.5 Nm ... 0.6 Nm
Pg screw connection	none
Type of the screw connection	with M20 thread
Cable exit	Lateral

### Standards and Regulations

Connection in acc. with standard	CUL
Flammability rating according to UL 94	V0

## Classifications

### eCl@ss

eCl@ss 4.0	27140816
eCl@ss 4.1	27140816
eCl@ss 5.0	27143424
eCl@ss 5.1	27143424
eCl@ss 6.0	27143424
eCl@ss 7.0	27440209
eCl@ss 8.0	27440202
eCl@ss 9.0	27440202

# Connector set - DC-B 6-SET-3D-M20-M-7X4-UT - 1602290

## Classifications

### ETIM

ETIM 2.0	EC001121
ETIM 3.0	EC000437
ETIM 4.0	EC000437
ETIM 5.0	EC000437

### UNSPSC

UNSPSC 6.01	30211923
UNSPSC 7.0901	39121522
UNSPSC 11	39121522
UNSPSC 12.01	39121522
UNSPSC 13.2	39121522

## Approvals

### Approvals

---

#### Approvals

UL Recognized / VDE Gutachten mit Fertigungsüberwachung / cUL Recognized / EAC / cULus Recognized

---


#### Ex Approvals

---

#### Approvals submitted

---

## Approval details

UL Recognized 	
mm <sup>2</sup> /AWG/kcmil	12
Nominal current I <sub>N</sub>	25 A
Nominal voltage U <sub>N</sub>	600 V

# Connector set - DC-B 6-SET-3D-M20-M-7X4-UT - 1602290

## Approvals

VDE Gutachten mit Fertigungsüberwachung

Nominal current I <sub>N</sub>	25 A
Nominal voltage U <sub>N</sub>	690 V

cUL Recognized

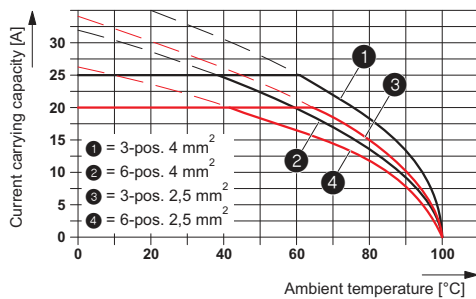
mm <sup>2</sup> /AWG/kcmil	12
Nominal current I <sub>N</sub>	25 A
Nominal voltage U <sub>N</sub>	600 V

EAC

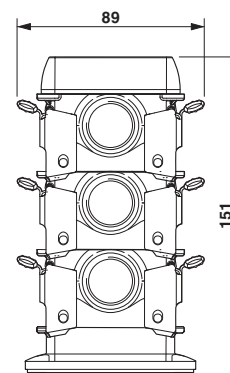
cULus Recognized

## Drawings

Diagram



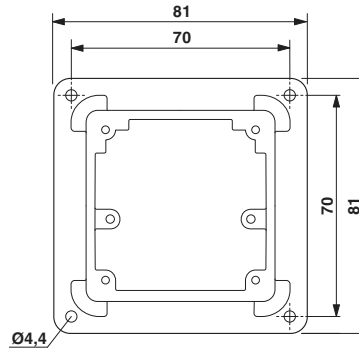
Dimensional drawing



Dimensional drawing

## Connector set - DC-B 6-SET-3D-M20-M-7X4-UT - 1602290

Dimensional drawing



Dimensional drawing