

TABLE 1

番号 No.	部品 PART	材質 MATERIAL	
①	ハウジング HOUSING	ナイロン, UL94-V0, 色 : 自然色(ベージュ) / 黒 NYLON (PA), UL94-V0, COLOR : NATURAL(BEIGE) / BLACK	
②	ターミナル TERMINAL	材料 MATERIAL	黄銅 BRASS
		下地めっき UNDER PLATING	ニッケルめっき 1.27マイクロメートル以上 NICKEL PLATING 1.27micro-meter MIN
		接点部、テール CONTACT AND TAIL	無光沢錫めっき 2.54マイクロメートル以上 MATTE TIN PLATING 2.54 micro-meter MIN

注記

NOTE

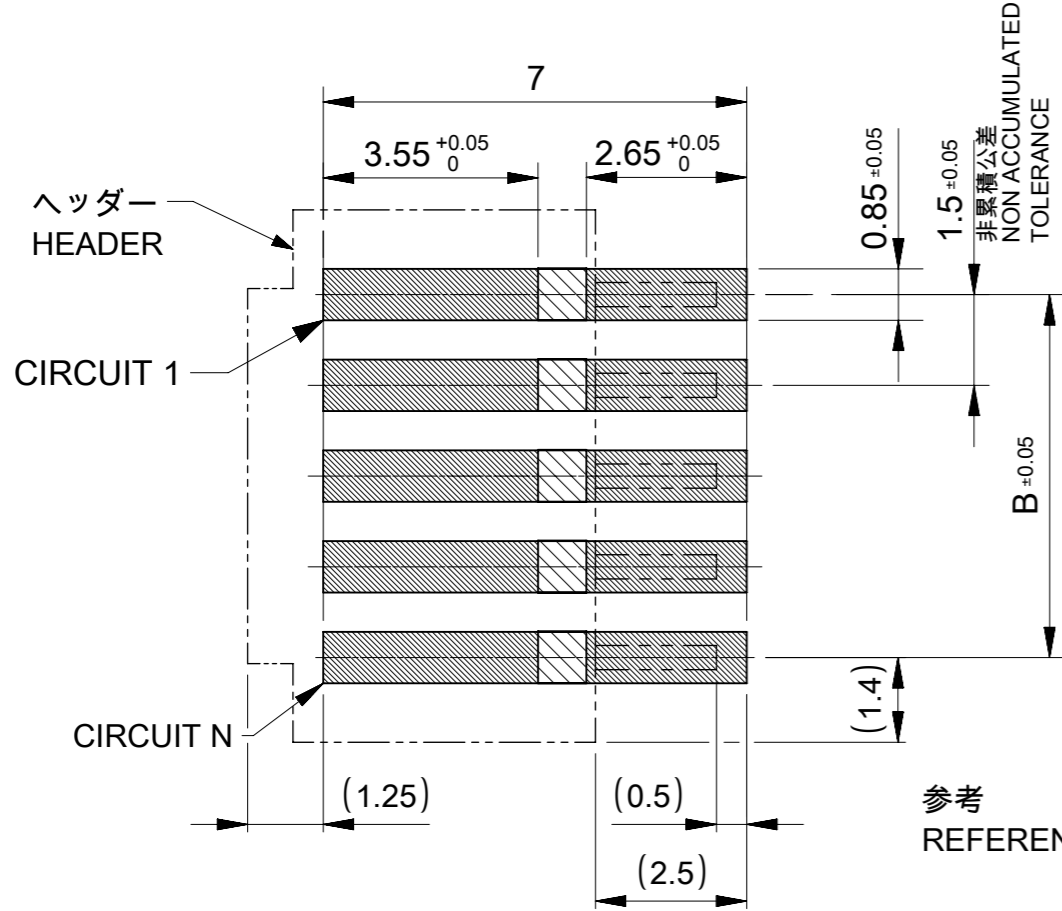
- ①. 材質および仕上げ(めっき仕様) : TABLE 1 参照
MATERIAL AND FINISH: SEE TABLE 1
- ②. 製品仕様書 : PS-87437-001
PRODUCT SPECIFICATION : PS-87437-001
- ③. 製品取扱説明書 : 874370000-AS
APPLICATION SPECIFICATION : 874370000-AS
- ④. テール平坦度 : 0.1以下
TAIL COPLANARITY TO BE 0.1 MAX.
- ⑤. 嵌合相手 : 87439シリーズ (リセプタクルハウジング), 87421シリーズ (圧着端子)
MATE WITH 87439 SERIES (RECEPTACLE HOUSING)
AND 87421 SERIES (CRIMP TERMINAL).
- ⑥. 本製品は錫めっき品である。金めっき品は202706シリーズを参照。
THIS PRODUCT IS TIN PLATING.
FOR GOLD PLATING, REFER TO 202706 SERIES.

21.2	22.8	21.0	23.8	87438-15*1	15
19.7	21.3	19.5	22.3	87438-14*1	14
18.2	19.8	18.0	20.8	87438-13*1	13
16.7	18.3	16.5	19.3	87438-12*1	12
15.2	16.8	15.0	17.8	87438-11*1	11
13.7	15.3	13.5	16.3	87438-10*1	10
12.2	13.8	12.0	14.8	87438-09*1	9
10.7	12.3	10.5	13.3	87438-08*1	8
9.2	10.8	9.0	11.8	87438-07*1	7
7.7	9.3	7.5	10.3	87438-06*1	6
6.2	7.8	6.0	8.8	87438-05*1	5
4.7	6.3	4.5	7.3	87438-04*1	4
3.2	4.8	3.0	5.8	87438-03*1	3
1.7	3.3	1.5	4.3	87438-02*1	2
D	C	B	A	ヘッダー番号 HEADER NO.	極数 CIRCUIT SIZE

THIS DRAWING CONTAINS INFORMATION THAT IS PROPRIETARY TO MOLEX ELECTRONIC TECHNOLOGIES, LLC AND SHOULD NOT BE USED WITHOUT WRITTEN PERMISSION

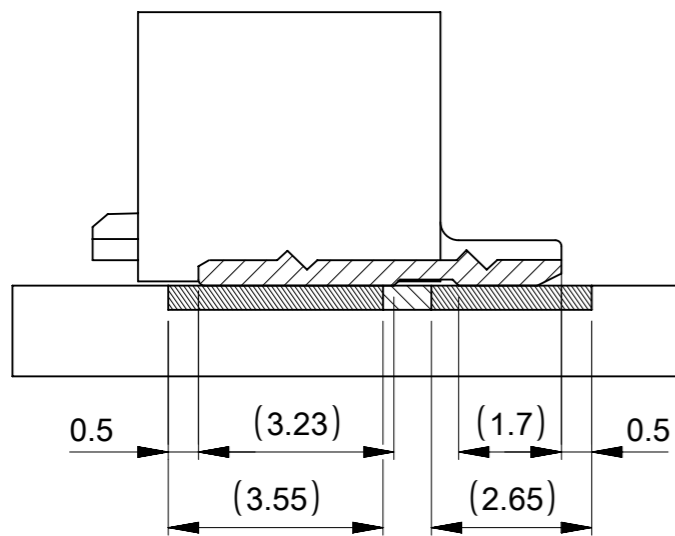
DIMENSION UNITS mm	SCALE NTS	CURRENT REV DESC: REVISED		molex	
GENERAL TOLERANCES (UNLESS SPECIFIED)		EC NO: 699885			
ANGULAR TOL	± 3.0°	DRWN: RTANAKA02 2022/03/14		PRODUCT CUSTOMER DRAWING	
4 PLACES	± 0.2	CHK'D: SAKIYAMA 2022/09/30		DOCUMENT NUMBER	
3 PLACES	± 0.2	APPR: AIDA 2022/09/30		874380231-SD	
2 PLACES	± 0.2	INITIAL REVISION:		DOC TYPE	DOC PART
1 PLACE	± 0.2	DRWN: RTANAKA02 2018/12/06		PSD	000
0 PLACES	± 0.2	APPR: SAKIYAMA 2019/04/26		REVISION	C
DRAFT WHERE APPLICABLE MUST REMAIN WITHIN DIMENSIONS	THIRD ANGLE PROJECTION	DRAWING	SERIES	MATERIAL NUMBER	CUSTOMER
		A3-SIZE	87438	SEE SHEET 3	GENERAL
					SHEET NUMBER
					1 OF 3

推奨基板レイアウト RECOMMENDED PCB LAYOUT



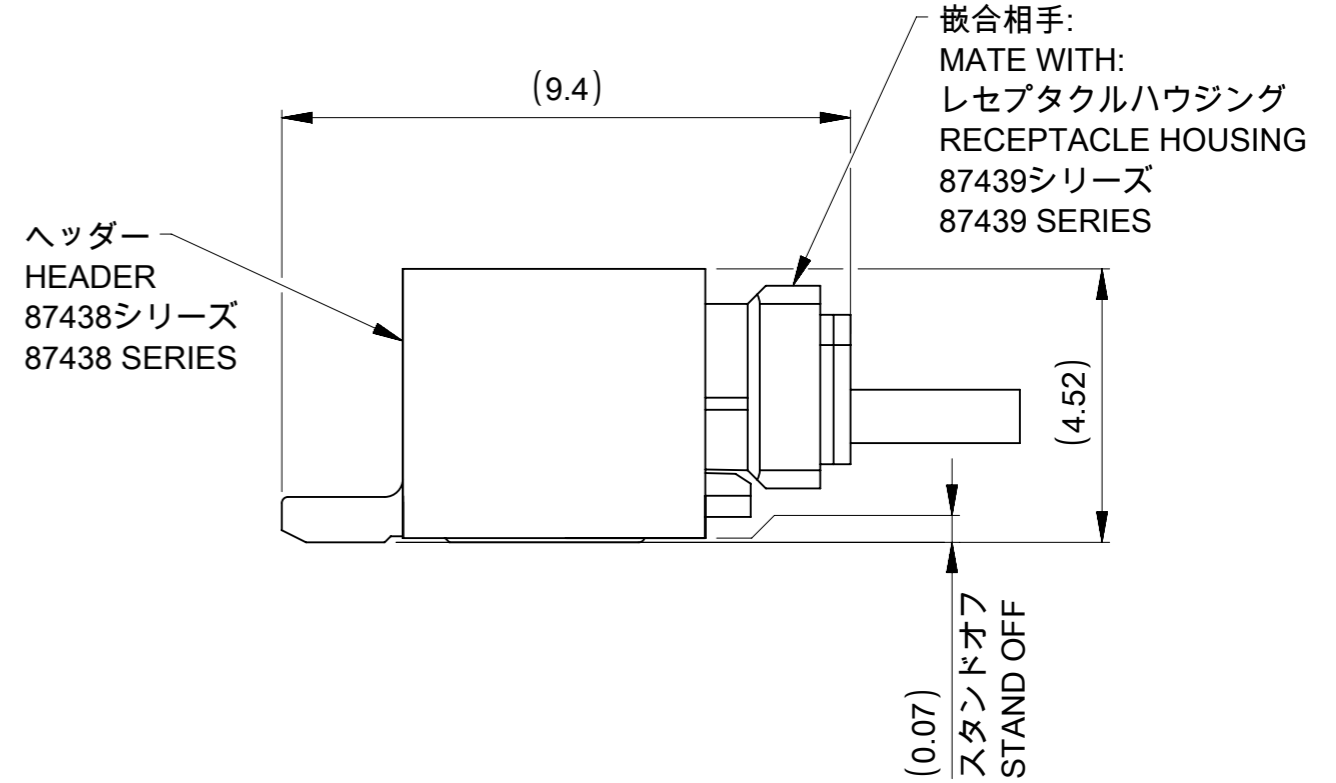
参考 : 基板厚 1.0mm
 REFERENCE : PCB THICKNESS 1.0mm
 メタルマスク厚 0.12mm
 STENCIL THICKNESS 0.12mm
 マスク開口率100%
 APERTURE RATIO 100%.

- : 半田エリア (パターンエリア)
SOLDER AREA (COPPER ZONE)
- : 半田禁止エリア (パターン禁止エリア)
SOLDER KEEP OUT AREA (NO-COPPER ZONE)
半田上がりを防ぐため。
TO PREVENT SOLDER LIFTING.
レジストによって分離する場合は、パターン面よりも盛り上がらないこと。
IF APPLY RESIST IN THIS AREA, LEVEL AS PATTERN AREA FACE.



SECTION Z-Z

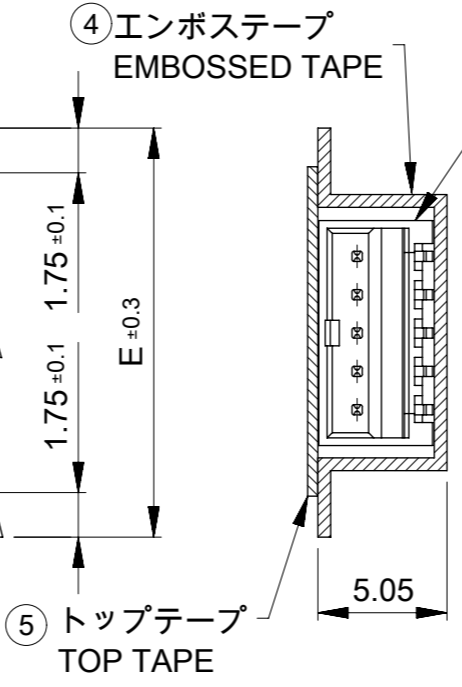
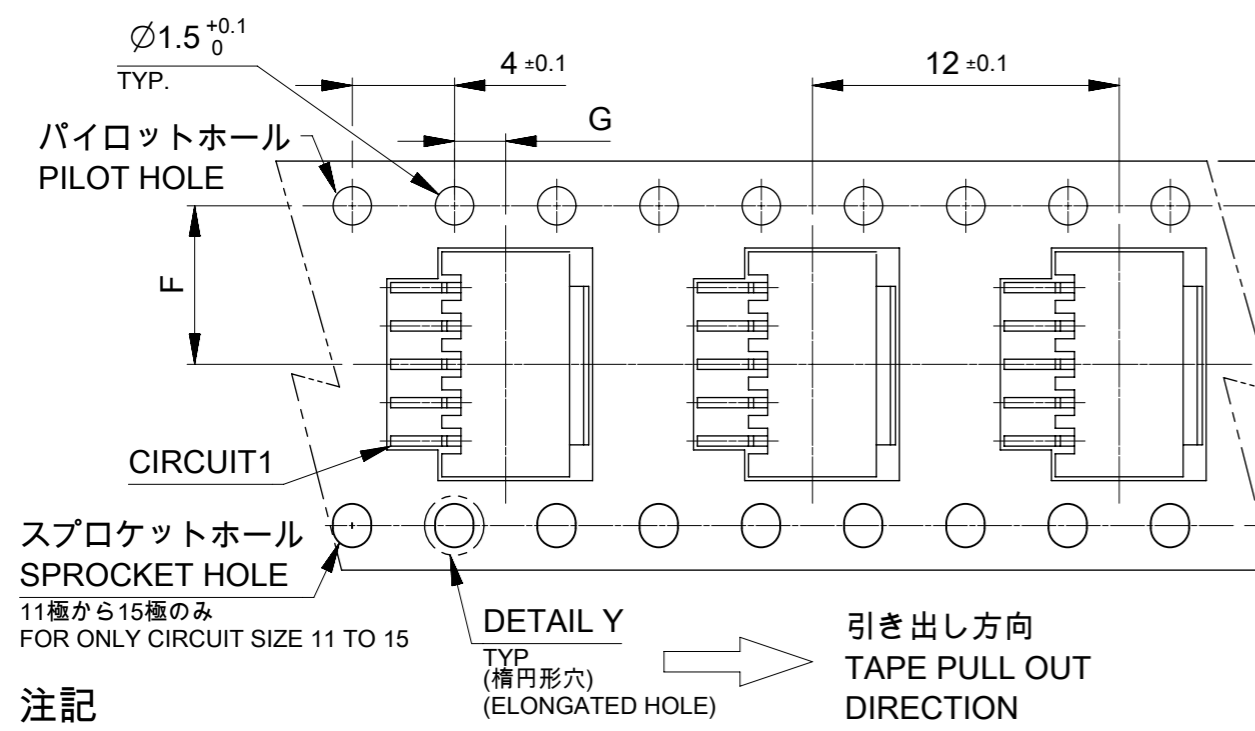
5 嵌合図 MATED CONNECTORS



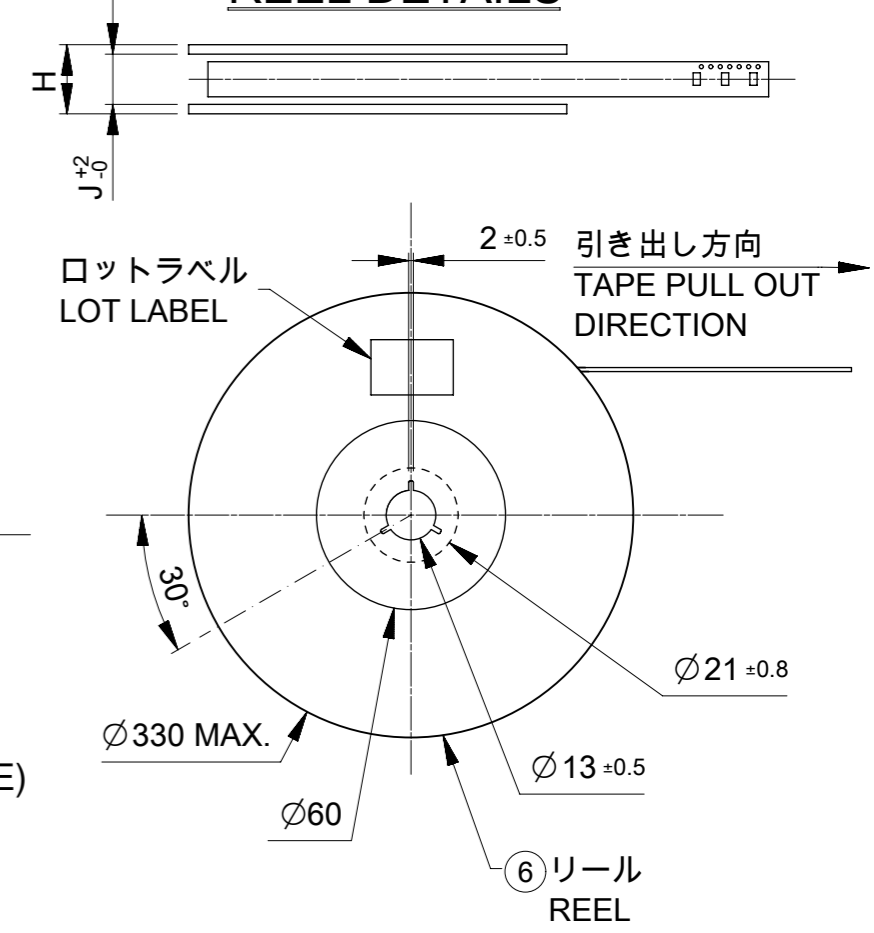
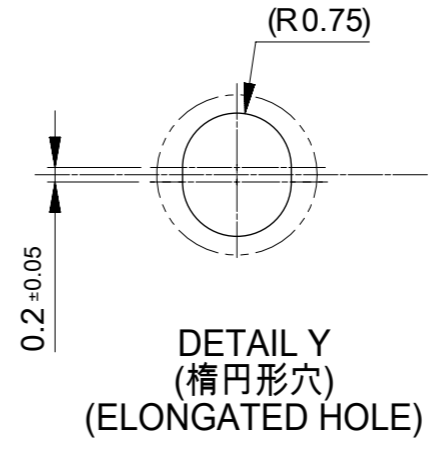
THIS DRAWING CONTAINS INFORMATION THAT IS PROPRIETARY TO MOLEX ELECTRONIC TECHNOLOGIES, LLC AND SHOULD NOT BE USED WITHOUT WRITTEN PERMISSION									
DIMENSION UNITS		SCALE		CURRENT REV DESC: REVISED				molex	
mm		NTS							
GENERAL TOLERANCES (UNLESS SPECIFIED)									
ANGULAR TOL ± 3.0°									
4 PLACES ± 0.2									
3 PLACES ± 0.2									
2 PLACES ± 0.2									
1 PLACE ± 0.2									
0 PLACES ± 0.2									
DRAFT WHERE APPLICABLE MUST REMAIN WITHIN DIMENSIONS		THIRD ANGLE PROJECTION		DRAWING		SERIES		MATERIAL NUMBER	
				A3-SIZE		87438		SEE SHEET 3	
EC NO: 699885				DRWN: RTANAKA02		2022/03/14		PICO-SPOX 1.5 W/B CONN R/A HEADER ASSY (SMT TIN PLATING VERSION)	
CHK'D: SAKIYAMA				APPR: AIDA		2022/09/30			
INITIAL REVISION:				DRWN: RTANAKA02		2018/12/06		DOCUMENT NUMBER	
APPR: SAKIYAMA				APPR: SAKIYAMA		2019/04/26		874380231-SD	
PRODUCT CUSTOMER DRAWING				DOC TYPE		DOC PART		REVISION	
				PSD		000		C	
DOCUMENT STATUS		P1		RELEASE DATE		2022/09/30		03:36:30	
FORMAT: master-b-prod-A3		REVISION: 11		DATE: 2021/05/01					

エンボス梱包 詳細 EMBOSSED CARRIER TAPE PACKING DETAILS

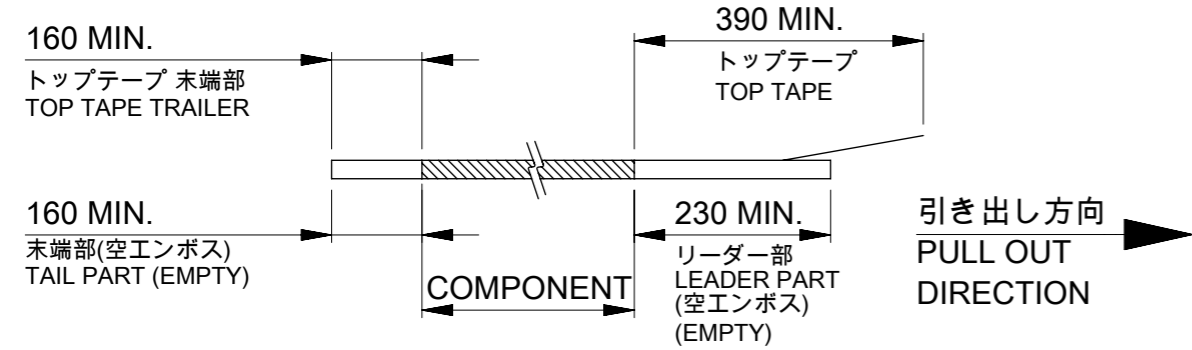
リール 詳細 REEL DETAILS



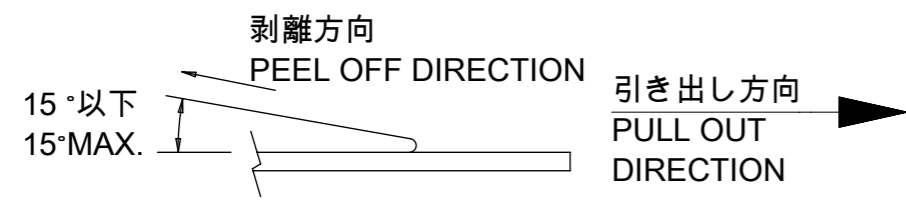
ヘッダー番号
HEADER NO.
87438-**41 (BEIGE)
87438-**61 (BLACK)



注記
NOTE
7. リーダー部および末端部テープ長さ
LEADER AND TRAILER TAPE LENGTH



8. トップテープの剥離強度：IEC60286-3に準拠。
PEELING OFF FORCE OF THE TOP TAPE: DEFINED IEC60286-3.
(剥離方向は下図を参照)
(PEELING DIRECTION AS SHOWN IN FOLLOWING FIGURE)



9. EIA-481に準拠する。
PACKAGING STANDARD IS AS PER EIA-481.
10. 梱包数量=1000個/リール
TAPE & REEL QUANTITY=1000PCS/REEL
11. 本製品は乾燥剤入りハイバリア梱包での納品となる。
THIS PRODUCT IS DELIVERED IN A HIGH BARRIER PACKAGE WITH DESICCANT.
12. 梱包仕様書：SPK-87438-001
PACKING INFORMATION：SPK-87438-001

発注番号
ORDER NUMBER
87438- * * * 3

極数 CIRCUIT SIZE	ハウジングカラー HOUSING COLOR
02 から 15 02 TO 15	4: ベージュ BEIGE
	6: 黒 BLACK

44.4	50.4	2±0.15	20.2±0.15	44	15
					14
					13
					12
					11
					10
					9
					8
					7
					6
					5
					4
					3
					2
J	H MAX	G	F	E	極数 CIRCUIT SIZE

番号 NO.	部品 PART	材質 MATERIAL	THIS DRAWING CONTAINS INFORMATION THAT IS PROPRIETARY TO MOLEX ELECTRONIC TECHNOLOGIES, LLC AND SHOULD NOT BE USED WITHOUT WRITTEN PERMISSION	
			DIMENSION UNITS mm	SCALE NTS
GENERAL TOLERANCES (UNLESS SPECIFIED)			CURRENT REV DESC: REVISED	
ANGULAR TOL ± 3.0°			EC NO: 699885	
4 PLACES ± 0.2			DRWN: RTANAKA02 2022/03/14	
3 PLACES ± 0.2			CHK'D: SAKIYAMA 2022/09/30	
2 PLACES ± 0.2			APPR: AIDA 2022/09/30	
1 PLACE ± 0.2			INITIAL REVISION:	
0 PLACES ± 0.2			DRWN: RTANAKA02 2018/12/06	
DRAFT WHERE APPLICABLE MUST REMAIN WITHIN DIMENSIONS			APPR: SAKIYAMA 2019/04/26	
THIRD ANGLE PROJECTION			DRAWING SERIES	
A3-SIZE			87438	
MATERIAL NUMBER			CUSTOMER	
SEE SHEET 3			GENERAL	
DOCUMENT NUMBER			DOC TYPE DOC PART REVISION	
874380231-SD			PSD 000 C	
SHEET NUMBER			3 OF 3	