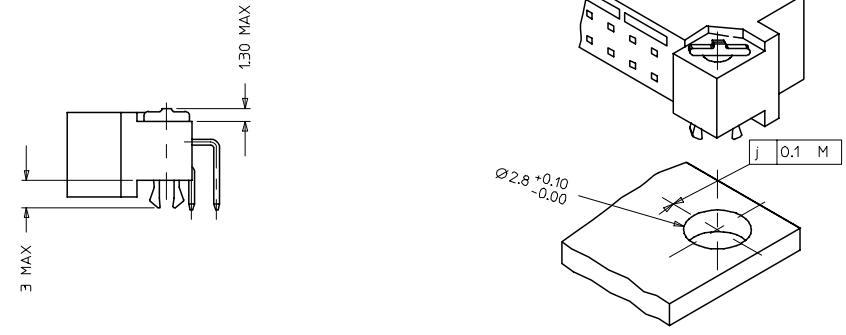


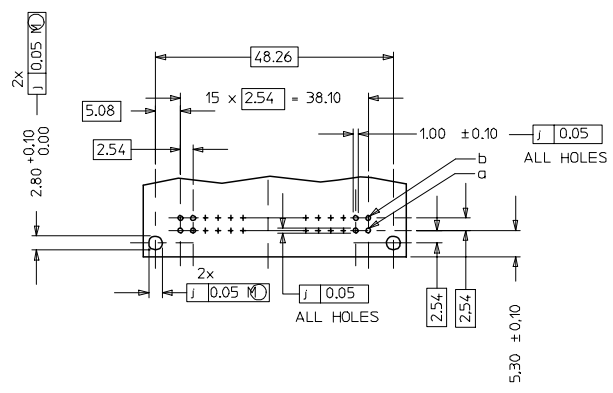
WITH MOUNTING CLIPS

8:1



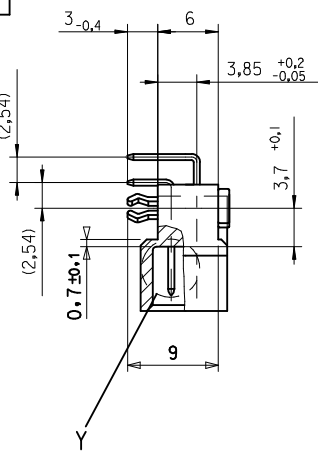
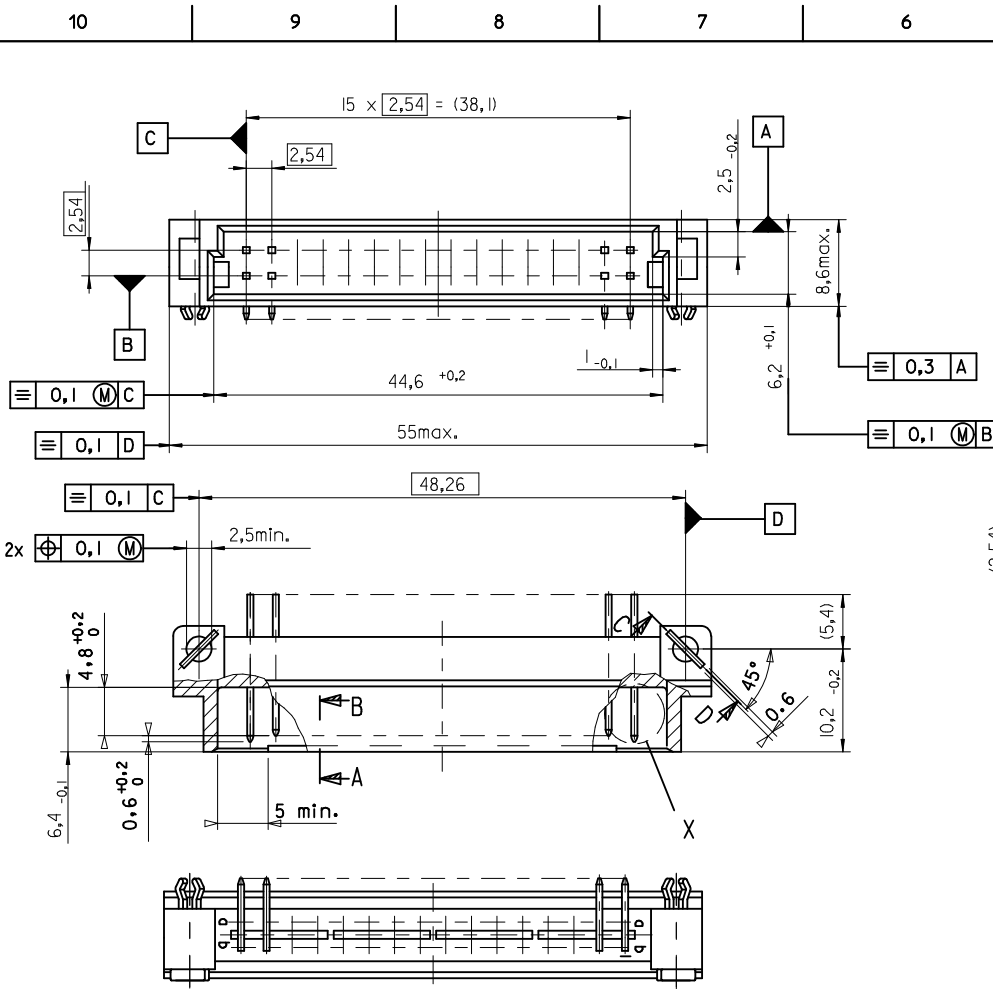
- NOTES:
- MATERIALS: THERMOPLASTIC POLYESTER, GLASS FILLED, UL94V-0  
 COLOUR: PEBBLE GREY, RAL 7032  
 TERMINAL - BRASS  
 MOUNTING CLIP: STEEL
  - FINISH: TERMINAL-  
 CONTACT AREA  
 1. PERFORMANCE LEVEL 1: SELECTIVE GOLD (Au), THICKNESS = 1.1 MICROMETER  
 OVER NICKEL, THICKNESS = 1.25 MICROMETER  
 2. PERFORMANCE LEVEL 2: SELECTIVE GOLD (Au), THICKNESS = 0.6 MICROMETER  
 OVER NICKEL, THICKNESS = 1.25 MICROMETER  
 3. PERFORMANCE LEVEL 3: SELECTIVE GOLD (Au), THICKNESS = 0.3 MICROMETER  
 OVER NICKEL, THICKNESS = 1.25 MICROMETER  
 TERMINATION AREA:  
 SELECTIVE TIN, THICKNESS = 2.5 MICROMETER  
 OVER NICKEL, THICKNESS = 1.25 MICROMETER OVERALL
  - MOUNTING CLIP:-  
 TIN (Sn), THICKNESS = 5-10 MICROMETER,  
 OVER NICKEL (Ni), THICKNESS = 2.5 MICROMETER
  - FOR NON MOUNTING CLIP OPTION, CONNECTOR TO BE SECURED WITH  
 RIVETS: 2 TUBULAR RIVETS 2.5 x 0.3 ... DIN 7340  
 SCREWS: 2 CHEESEHEAD SCREWS M2.5 x ... DIN 84 AND 2 HEXAGONAL NUTS M2.5 DIN 934
  - STANDARD MARKING: MOLEX, MATERIAL NUMBER, BATCH CODE
  - CUT FACES OF TIP WITHOUT PLATING IS PERMITTED
  - PRODUCT SPECIFICATION PS : 85003-0001

RECOMMENDED PCB LAYOUT  
COMPONENT SIDE

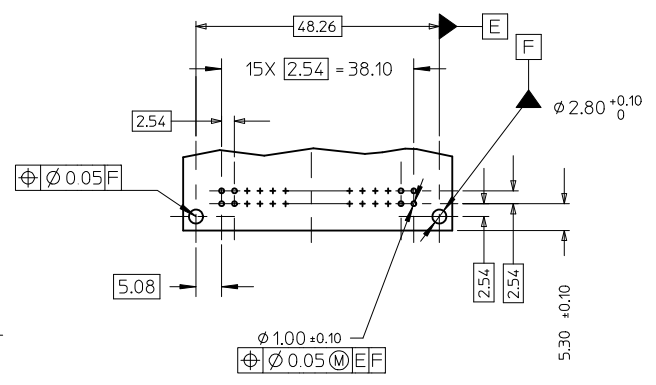


RoHS COMPLIANT

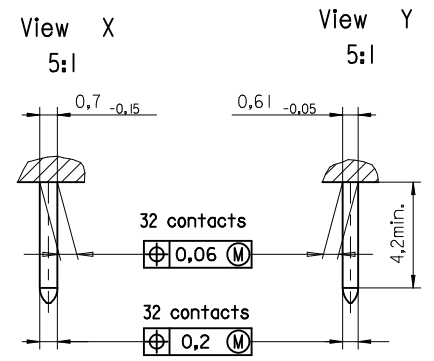
<b>ENTER DESCRIPTION</b> ELC.MC.1.2007-0193 DRAWING NO. 2007/01/08 CHKD.SUDHIR 2007/01/08 APPR.PRASAD 2007/01/09	<b>QUALITY SYMBOLS</b> ▽=0 ▽=0	<b>GENERAL TOLERANCES (UNLESS SPECIFIED)</b>		<b>DIMENSION STYLE</b> MM ONLY		SCALE 2:1	DESIGN UNITS METRIC	THIRD ANGLE PROJECTION	
		4 PLACES ± --- ± --- 3 PLACES ± 0.05 ± --- 2 PLACES ± 0.1 ± --- 1 PLACE ± 0.15 ± ---	INCH ± --- ± --- ± ---	DRAWN BY NS	DATE 2001/04/02	TITLE ASSEMBLY, DIN 41612 B/2 MALE 32 POS		MOLEX INCORPORATED	
<b>DRAFT WHERE APPLICABLE MUST REMAIN WITHIN DIMENSIONS</b>	SIZE A 1	MATERIAL NO. SEE CHART		DOCUMENT NO. SD-85001-0002		SHEET NO. 1 OF 2		THIS DRAWING CONTAINS INFORMATION THAT IS PROPRIETARY TO MOLEX INCORPORATED AND SHOULD NOT BE USED WITHOUT WRITTEN PERMISSION	



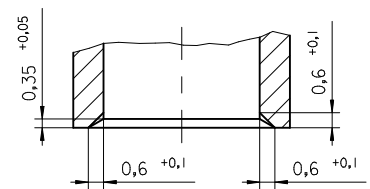
RECOMMENDED PCB LAYOUT  
COMPONENT SIDE



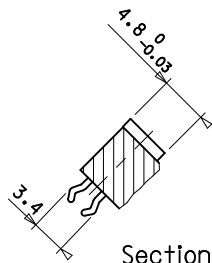
RECOMMENDED PCB THICKNESS - 1.6MM



Section A - B  
5:1



Section C - D



ENTER DESCRIPTION EC NO: 12011-0346 DRWN: VUTTARKAR 2011/08/31 CHKD: KRASAD APPR: KRASAD 2011/09/02	QUALITY SYMBOLS F <sub>A</sub> =0 F <sub>B</sub> =0 F <sub>C</sub> =0	GENERAL TOLERANCES (UNLESS SPECIFIED)		DIMENSION STYLE MM ONLY	SCALE	DESIGN UNITS METRIC	FIRST ANGLE PROJECTION	
				DRAWN BY VUTTARKAR	DATE	TITLE		
		4 PLACES	± ---	± ---				
		3 PLACES	± ---	± ---				
		2 PLACES	± ---	± ---				
		1 PLACE	± ---	± ---				
		ANGULAR ± ---°		APPROVED BY	DATE			
DRAFT WHERE APPLICABLE MUST REMAIN WITHIN DIMENSIONS		MATERIAL NO.	---		DOCUMENT NO.	SDA-85001-0002		
SIZE A3	THIS DRAWING CONTAINS INFORMATION THAT IS PROPRIETARY TO MOLEX INCORPORATED AND SHOULD NOT BE USED WITHOUT WRITTEN PERMISSION						SHEET NO. 1 OF 01	

VIEW ON MATING SIDE

∞	B	B	B	B	B	B	B
◄	A	A	A	A	A	A	A

0 1 2 3 4 5 6 7 8 9 10 11 12 13 14 15 16 17 18 19 20 21 22 23 24 25 26 27 28 29 30 31 32 33 34 35 36 37 38 39 40 41 42 43 44 45 46 47 48 49 50 51 52 53 54 55 56 57 58 59 60 61 62 63 64 65 66 67 68 69 70 71 72 73 74 75 76 77 78 79 80 81 82 83 84 85 86 87 88 89 90 91 92 93 94 95 96 97 98 99

A = 8 STANDARD CONTACTS L=3

B = 8 STANDARD CONTACTS L=3

S = 16 TOTAL NUMBER OF CONTACTS

Marking	Standard
Performance level	G2/0 = Contact area level2 / Termination tin
Flux proof	no
Fixing clip	no
Dimensions	SDA-85001-0002 sht.1
Technical Data	PS-85003-0001

B	G2/0
A	G2/0
Contact symbol	Perform. level
	Contact position number

see ECN No. 2204 96/07/18 Cd	FOR PREVIOUS REVISIONS SEE MRI LIST		DRAWG BY <b>Cd</b>	SIGN	REVISIONS	SH. REV.	
	LTR	REVISIONS					THIS DRAWING CONTAINS INFORMATION THAT IS PROPRIETARY TO MOLEX INC. & SHOULD NOT BE USED WITHOUT WRITTEN PERMISSION
			CHK'D BY <b>KN</b>	SIGN	TITLE <b>32 pos. Male connector acc. DIN 41612 style B/2 contacts arrangement</b>	SHEET NO. 1 OF 1	DATE 95/05/23
			APP'D BY	SIGN			
			SCALE		PART NO. <b>85001-0373</b>	DWG NO. <b>SDA-85001-0373</b>	SIZE <b>A</b>
			DESIGN DIMENSION <input type="checkbox"/> MM <input type="checkbox"/> IN. EQUIVALENT DIMENSION <input type="checkbox"/> MM <input type="checkbox"/> IN. IF TWO DIMENSIONS ARE SHOWN, THE UPPER IS THE DESIGN DIMENSION, LOWER IS SECONDARY				