



Mallory Sonalert Products, Inc.

Part #: **SCE028LD3MG5S**

Sales Outline Drawing

Revision: **A**

Specifications:

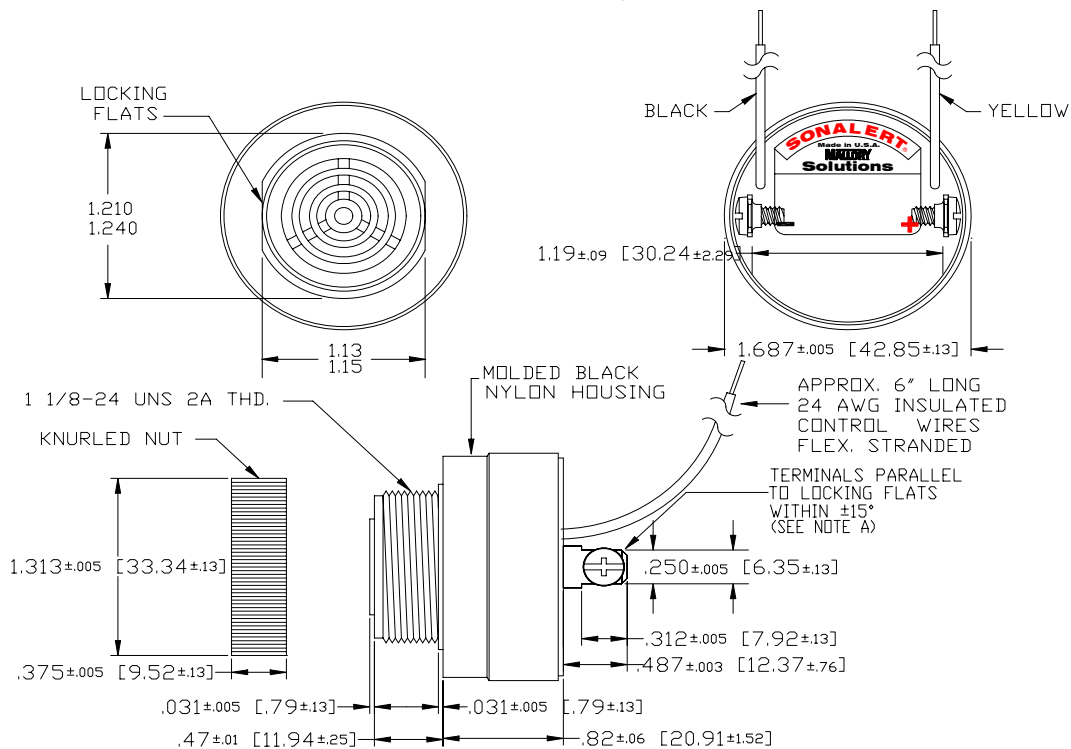
Sound Level Category:	Loud	Loud	Loud	Medium
Mode of Operation:	Continuous	Double Pulse	Dual Tone	Siren Sweep
Loudness @ 2 FT:	85 to 95 dB(A) Typ.	85 to 95 dB(A) Typ.	75 to 85 dB(A) Typ.	75 to 85 dB(A) Typ.
Pulse Rate (PPS):	N/A	2	7	5
Frequency:	2900 ± 500 Hz	2900 ± 500 Hz	3.0 - 2.9 kHz	2.6 - 3.2 kHz
Connection:	TERMINALS ONLY	TERMINALS; BLACK WIRE TO (-)	TERMINALS; YELLOW WIRE TO (-)	TERMINALS; BOTH WIRES TO (-)
Voltage Rating:	16 to 28 VDC			
Current Draw:	40mA MAX			
Housing Material:	6/6 Nylon, Color: Black			
Storage Temperature:	-40° to +85° C			
Operating Temperature:	-40° to +85° C			
Panel Mounting:	Recommended hole size is 1.25"(31.75mm). Thread front will fit standard 30mm(1.181") hole.			
Knurled Nut:	Used to attach part to panel. The max recommended torque is 10 in-lbs.			
Weight (Typical):	1.6 oz (45g)			
NEMA 3R,4X, & 12:	Approved with use of ACC03.			
cUL Recognition:	cUL Recognized			
Options:	Please contact factory.			

Dimensions:

Inches (mm)

cUL Recognized

ROHS Compliant



NOTE A: TERMINALS-.032 BRASS TIN PLATED, TAPPED FOR #6-32 SCREW. TWO #6-32 NICKEL PLATED BRASS SCREWS INCLUDED. WILL ACCEPT 1/4" QUICK CONNECT.

NOTE B: MOUNTING- REMOVE BLACK PLASTIC NUT AND INSERT THREADED FRONT THROUGH 1.25" HOLE PUNCHED IN PANEL, IF ORIENTATION IS NEEDED, NOTE LOCKING FLATS ON DRAWING. SCREW NUT BACK ON. DO NOT OVERTIGHTEN.