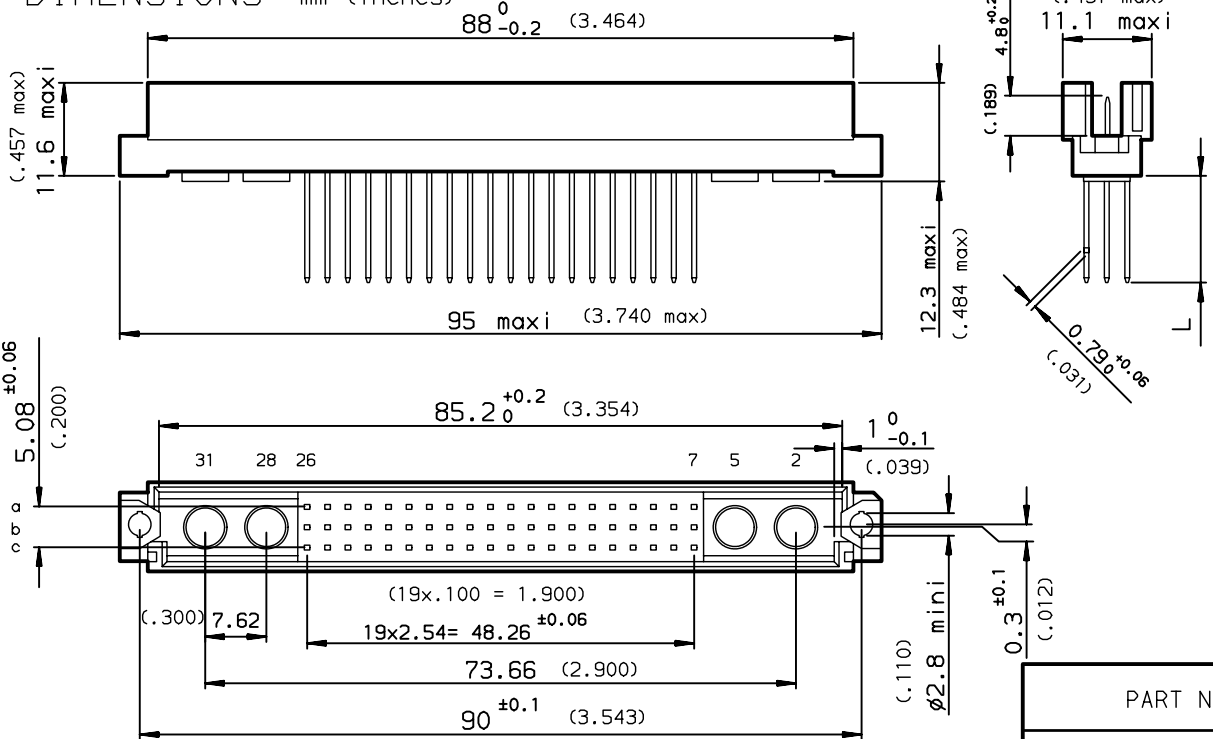


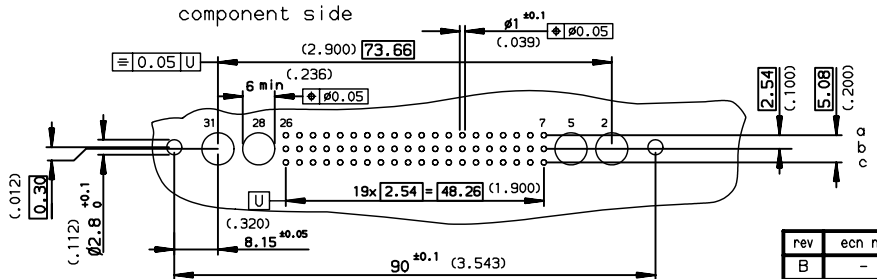
DIMENSIONS mm (inches)



GENERAL CHARACTERISTICS AND ROHS INFORMATIONS:
SEE DRAWING C-8609-0000B

| | | | | | | | | | |
|------------------------|------|--------------------------|--------------------------|----|--------------------------|---|--------------------------|---|--------------------------|
| PART NUMBER | 8609 | <input type="checkbox"/> | <input type="checkbox"/> | C8 | <input type="checkbox"/> | 7 | <input type="checkbox"/> | 5 | <input type="checkbox"/> |
| PIN OUT | | | | | | | | | |
| rows a-b-c | | | | 3 | | | | | 60 |
| rows a-c | | | | 4 | | | | | 40 |
| NUMBER OF CONTACTS | | | | | | | | | |
| TERMINATION | | | | | | | | | |
| L = 13.3 ±0.25 (.523) | | | | WW | | | | | 15 |
| L = 17.95 ±0.25 (.706) | | | | WW | | | | | 25 |
| PERFORMANCE CLASS | | | | | | | | | |
| DIN 41612 class 3 | | | | | | | | | 4 |
| DIN 41612 class 2 | | | | | | | | | 5 |
| DIN 41612 class 1 | | | | | | | | | 6 |
| TERMINATION TYPE | | | | | | | | | |
| TIN LEAD | | | | | | | | | 000E1 |
| LEAD FREE | | | | | | | | | E1LF |

PCB DRILLING



| rev | ecn no | dr | date |
|-----|-----------|-----|------------|
| B | - | JTA | 1996/02/22 |
| C | LS05-008 | JTA | 2005/03/17 |
| D | LS06-0095 | LGO | 2006/06/16 |
| - | - | - | - |
| - | - | - | - |
| - | - | - | - |

| | | | | | |
|---------------------------------------|-----------|---|-----------------------------------|----------------|-----------------------|
| www.fciconnect.com | | surface ISO 1302 <input checked="" type="checkbox"/> | tolerance std ISO 406 ISO 1101 | projection | mm |
| TOLERANCES UNLESS OTHERWISE SPECIFIED | | | | | |
| Dr | ROUILLARD | 1992/09/21 | ANGULAR | 0.X ±0.1 | size A3 |
| Eng | TARON | 1992/09/21 | LINEAR | 0.XX ±0.1 | Scale 1.5 |
| Chr | LEGARE | 1992/09/21 | 0.XX' ±2' | 0.XXX ±0.1 | ECN LS06-0095 |
| Appr | LEGARE | 1992/09/21 | Product family | DIN 8609 | Spec ref - |
| FCJ | | STRAIGHT MALE WITH SPECIAL CONTACTS | | | Rev. D |
| title | | WIRE WRAP | | | dwg no C-8609-0320 |
| catalog no | | - | | | CUSTOMER sheet 1 of 1 |

European Views

Copyright FCJ.