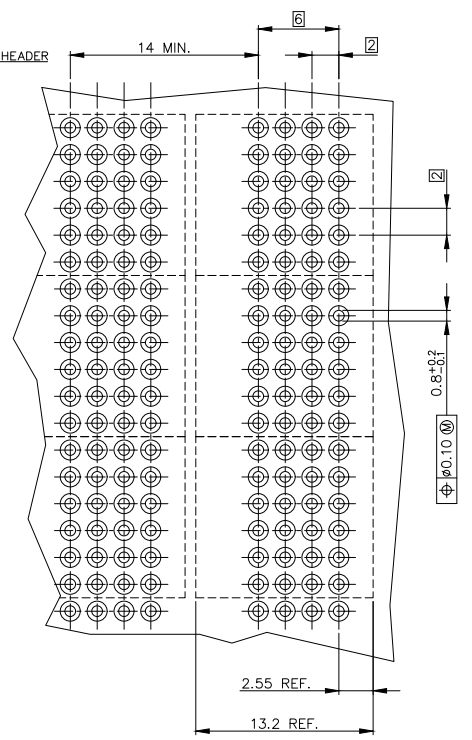
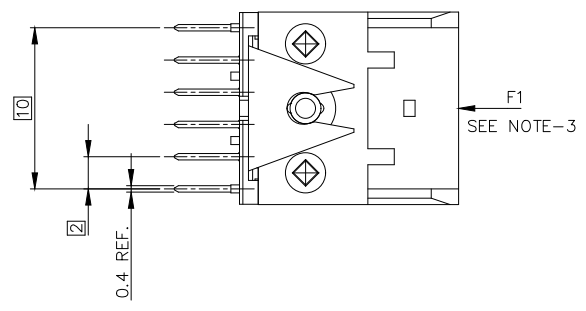


REFER NOTE-2
85922-XYLFF



DASH NR	CONFIGURATION COLUMN #					PCB THICKN.	DIM A	DIM B	DIM C	DIM D	
	ROW #	6	5	4	3						2
-X01LF	D	+	+	+	+	+	2.4	14.14	3.50	0.54	17.64
	C	+	+	+	+	+					
	B	+	+	+	+	+					
	A	+	+	+	+	+					
-X02LF	D	+	+	+	+	+	3.2	13.60	4.04	0.00	17.10
	C	+	+	+	+	+					
	B	+	+	+	+	+					
	A	+	+	+	+	+					
-X03LF	D	+	+	+	+	+	2.4	13.60	3.24	0.00	17.10
	C	+	+	+	+	+					
	B	+	+	+	+	+					
	A	+	+	+	+	+					
-X04LF	D	+	+	+	+	+	1.6	13.60	2.39	0.00	17.10
	C	+	+	+	+	+					
	B	+	+	+	+	+					
	A	+	+	+	+	+					
-X05LF	D	+	+	+	+	+	1.6	14.14	2.70	0.54	17.64
	C	+	+	+	+	+					
	B	+	+	+	+	+					
	A	+	+	+	+	+					
-X06LF	D	+	+	+	+	+	1.6	14.64	3.00	0.54	18.14
	C	+	+	+	+	+					
	B	+	+	+	+	+					
	A	+	+	+	+	+					
-X07LF	D	+	+	+	+	+	1.6	15.14	2.50	0.54	18.64
	C	+	+	+	+	+					
	B	+	+	+	+	+					
	A	+	+	+	+	+					
-X20LF	D	+	+	+	+	-	2.4	14.14	3.50	0.54	17.64
	C	+	+	+	+	-					
	B	+	+	+	+	-					
	A	+	+	+	+	-					
-X21LF	D	+	+	+	+	-	1.6	14.14	2.70	0.54	17.64
	C	+	+	+	+	-					
	B	+	+	+	+	-					
	A	+	+	+	+	-					

*- POSITION NOT LOADED
*+ POSITION LOADED

NOTES:

- MATERIAL : BODY : LCP UL94-V0
CONTACT : COPPER ALLOY.
PRESS BLOCK : GF, HIGH TEMPERATURE RESIN UL 94-V0 COMPLIANT
- FOR PLATING PERFORMANCE REFER DRAWING # 10159408
- LOAD IN THIS DIRECTION (E.G. THROUGH CODING) 30 NEWTON MAXIMUM PER CONNECTOR.
- LOAD IN THIS DIRECTION 15 NEWTON MAXIMUM PER CONNECTOR.
- TO ENSURE PROPER ALIGNMENT OF MULTIPLE MODULES ON A BOARD THE USE OF A FIXTURE IS RECOMMENDED.
- THIS PRODUCT MEETS EUROPEAN UNION DIRECTIVES AND OTHER COUNTRY REGULATIONS AS DESCRIBED IN GS-47- 0004
- THE HOUSING WILL WITHSTAND EXPOSURE TO 260 DEGREE PEAK TEMPERATURE FOR 10 SECONDS IN A WAVE SOLDER APPLICATION.
- A Δ SYMBOL WILL BE NEXT TO ANY DIMENSION, VIEW, OR NOTE WHICH HAS BEEN MODIFIED WITH THE CURRENT DRAWING REVISION.

mat'l. code				surface ISO 1302 ✓	tolerance ISO 406 ISO 1101	projection 	product family METRAL
ltr	ecn no	dr	date	tolerances unless otherwise specified		mm	title
J	DG08-0171	TER	2008-09-10	angles	.X±0.050	← mm →	STR SIGN RCP STB + WAFER 12 MM
K	DG09-0068	CENH	2009-06-06	linear	.XX±0.13		
L	ELX-I-38913	MINI	2020-10-27	0°±2°	.XXX±0.3	scale	dwg no
M	ELX-I-4.1250	RAHUL	2021-06-17	dr	M. MEWER	1996-03-13	sheet 1 of 1
				engr	ARUN	2020-10-27	size
				chr	ALEX BABU	2020-10-27	85922
				appd	SANOJ	2020-10-27	A3
sheet index	revision sheet	M	1	type Product Customer Drawing			