

PART  
NAME

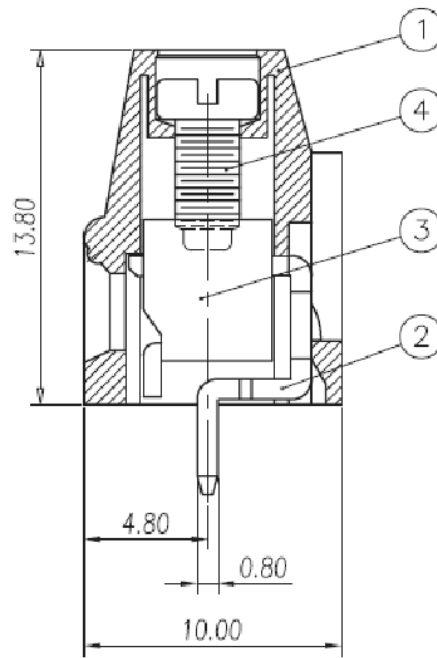
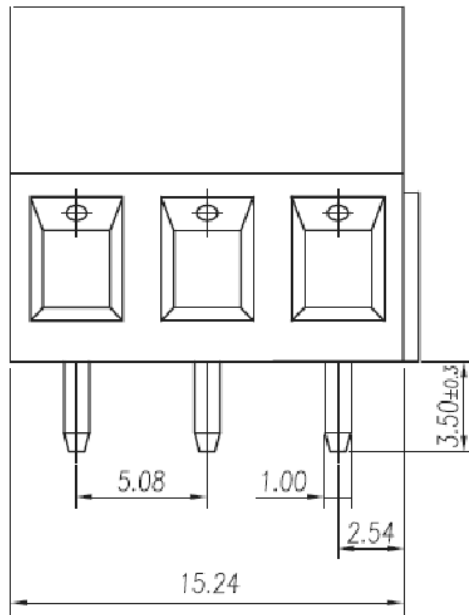
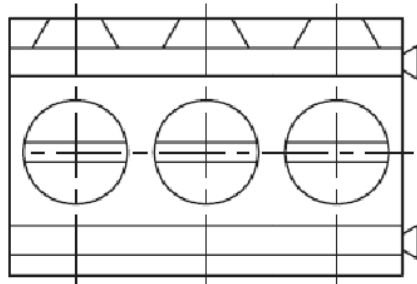
TERMINAL CONNECTOR

PART  
No.

DMB-4770-T3

REV.  
DATE

8-2-12



NOTES:

1. Rating: 300V 20A (IEC 250V 24A)  
PITCH: 5.08mm
2. Insulation Withstands Voltage:  
AC 2000V at 1 minute
3. Insulation Resistance:  
500M  $\Omega$  or more at DC500V
4. Using Temperature Range:  
-40°C~+105°C
5. Suitable Electric Wire:  
24~12AWG(IEC 0.5~2.5mm<sup>2</sup>)
6. Torque Value: 4 kg-cm
7. RoHS compliance

Dimensions in mm.