

NOTES:

1. MATERIAL:

HOUSING: LIQUID CRYSTAL POLYMER (LCP), GLAS-FILLED, UL 94V-0,

COLOR: BLASK

TERMINALS: BRASS

2. FINISH:

TERMINAL: 0.76 MICROMETERS/30 MICROINCHES MINIMUM SELECTIVE GOLD

IN CONTACT AREA; 1.27 MICROMETERS/50 MICROINCHES MINIMUM

SELECTIVE TIN IN THE PC TAIL AREA; NICKEL UNDERPLATE OVERALL

3. ASSEMBLY MATES WITH MOLEX P/N SDA-71660-****

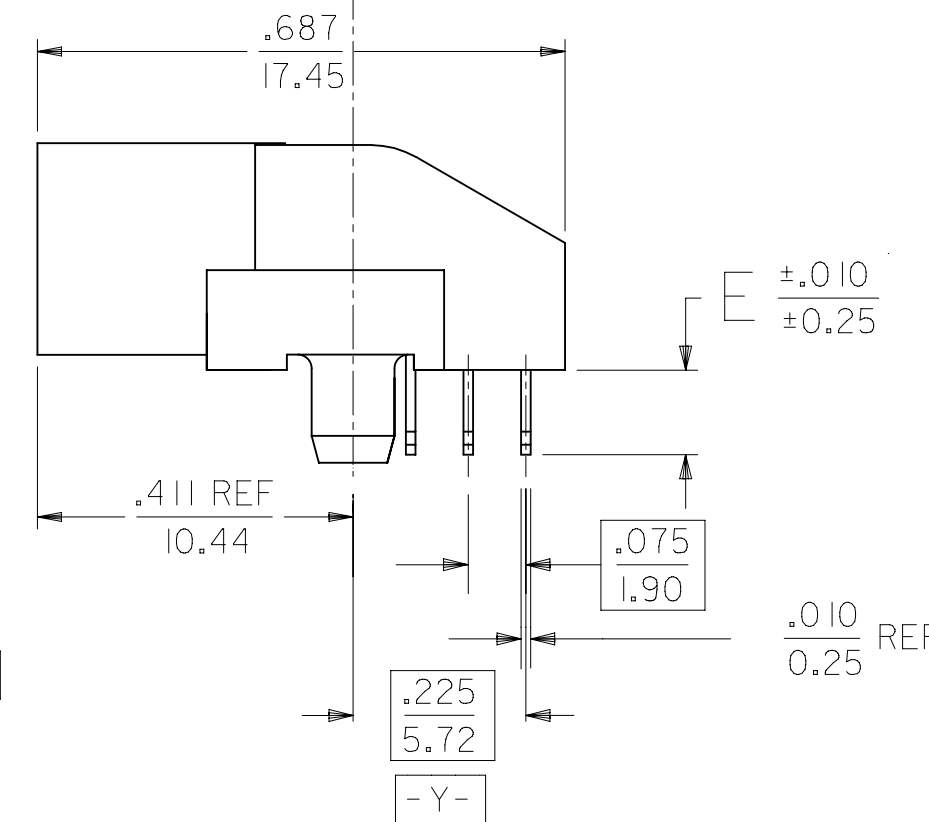
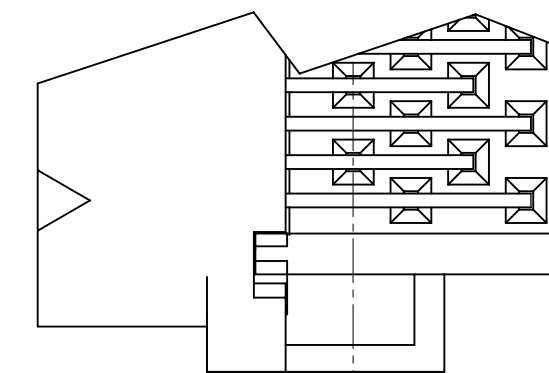
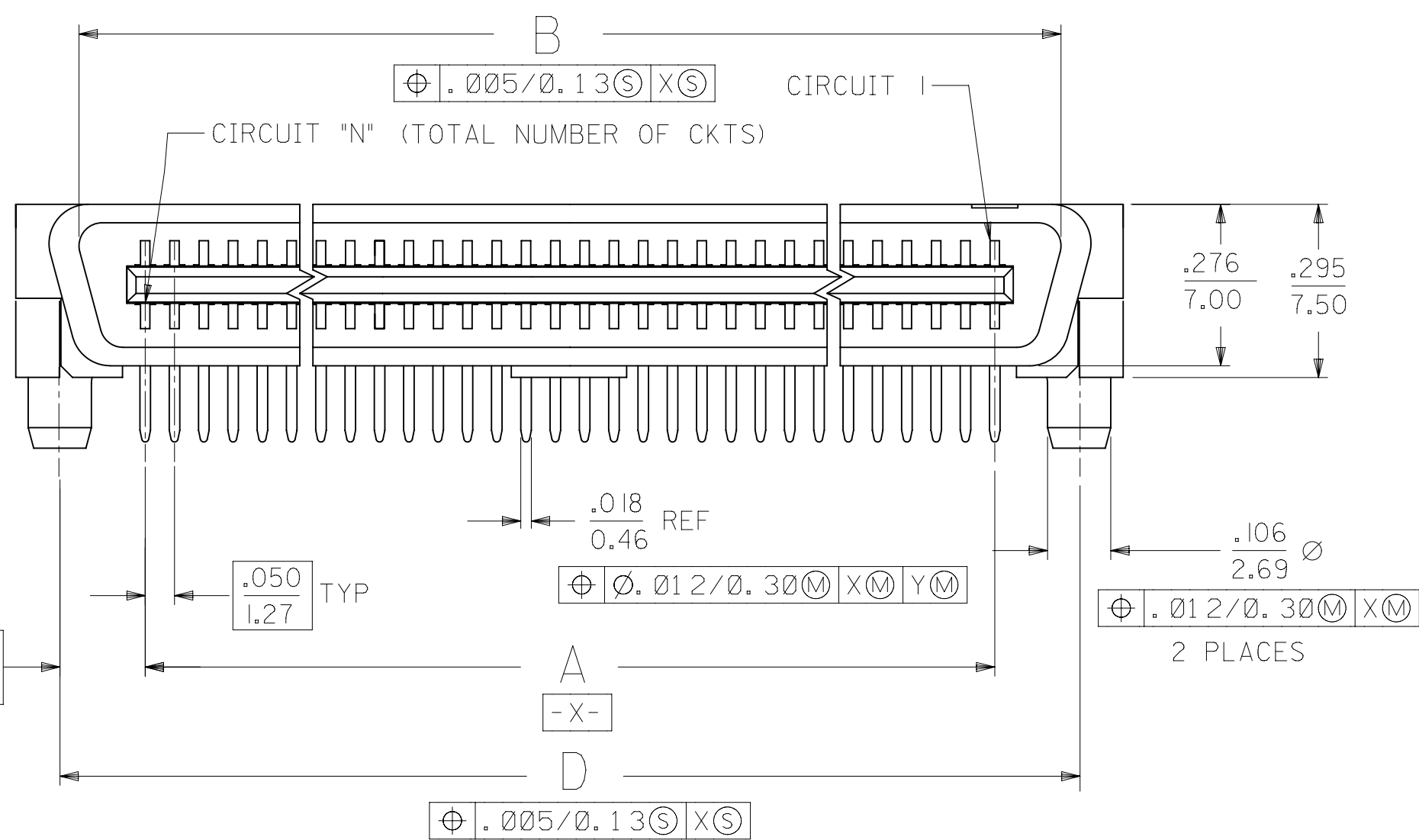
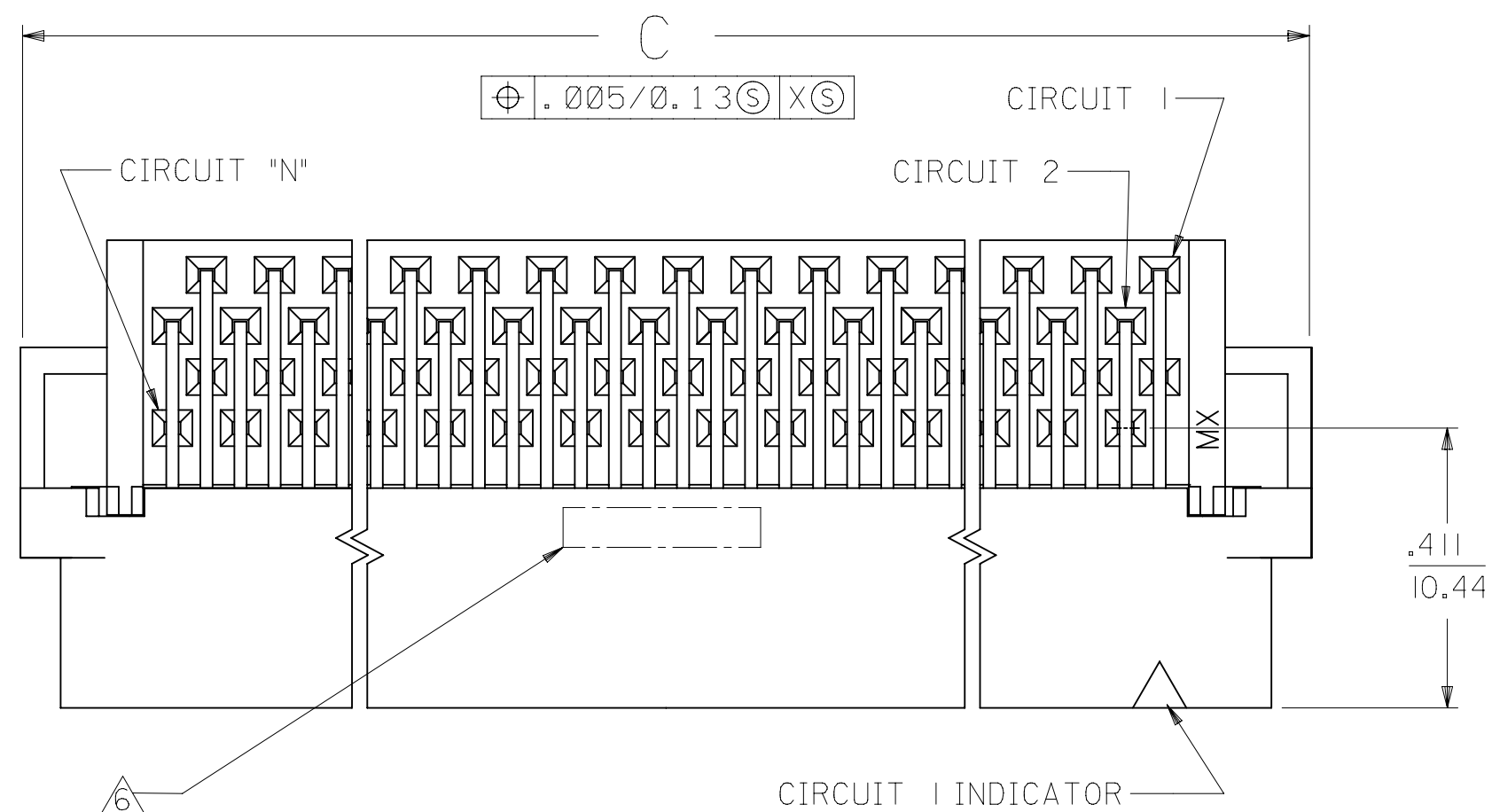
4. CONFORMS TO PRODUCT SPEC: PS-71660

5. RECOMMENDED PC BOARD THICKNESS IS .062/1.60

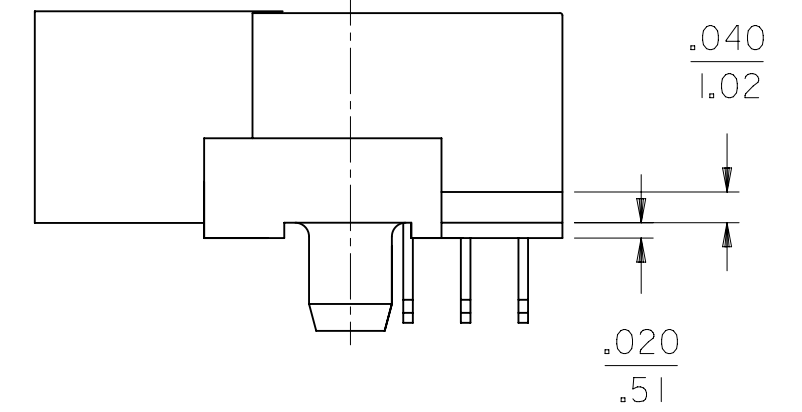
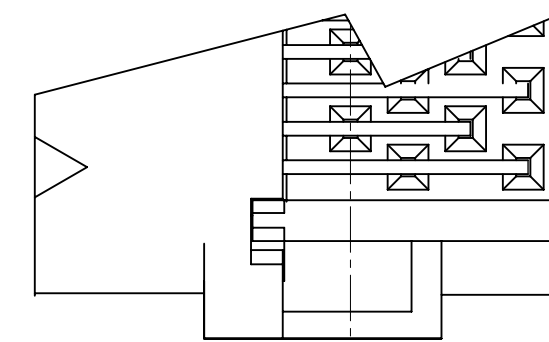
6. FOUR DIGIT DATE CODE (WK, YR) EXAMPLE 26 96 LOCATED IN AREA SHOWN

7. TOOLING STATUS: "X" INDICATES NO TOOLING AVAILABLE

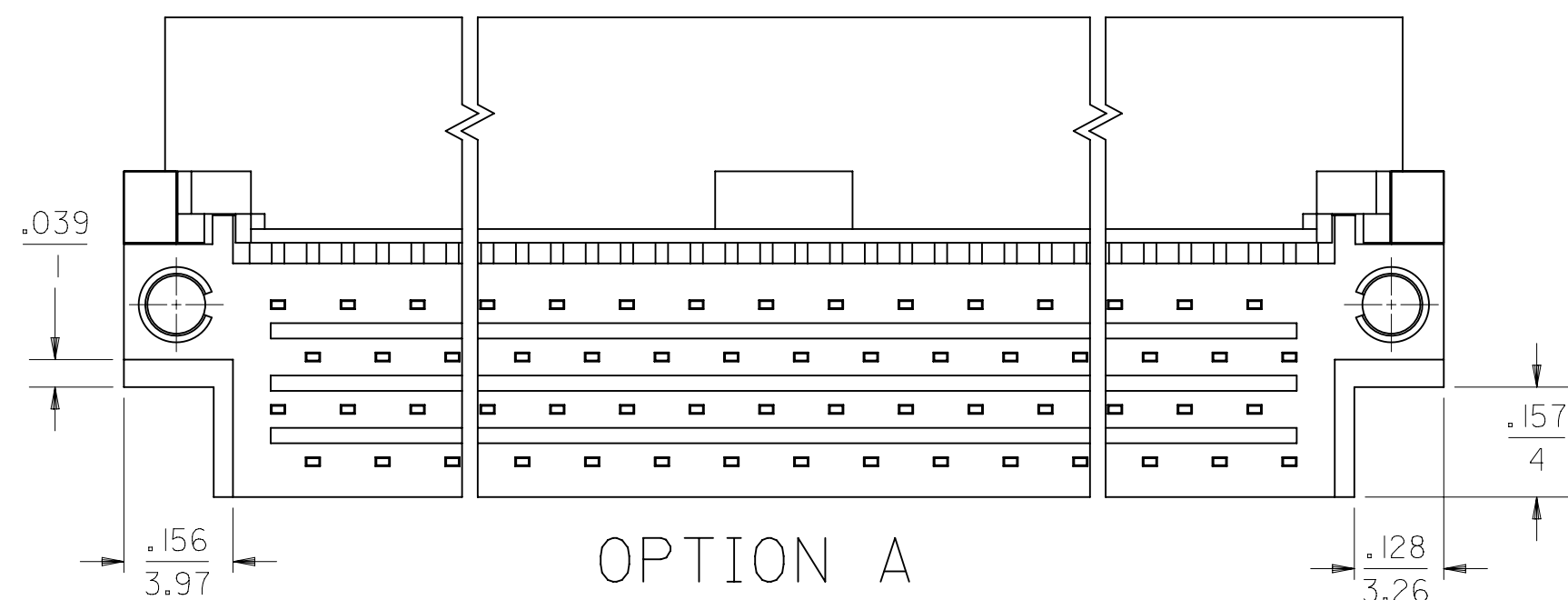
CONTACT FACTORY FOR FURTHER INFORMATION




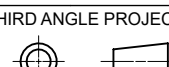
END DETAIL
OPTION A
(BOTH ENDS)

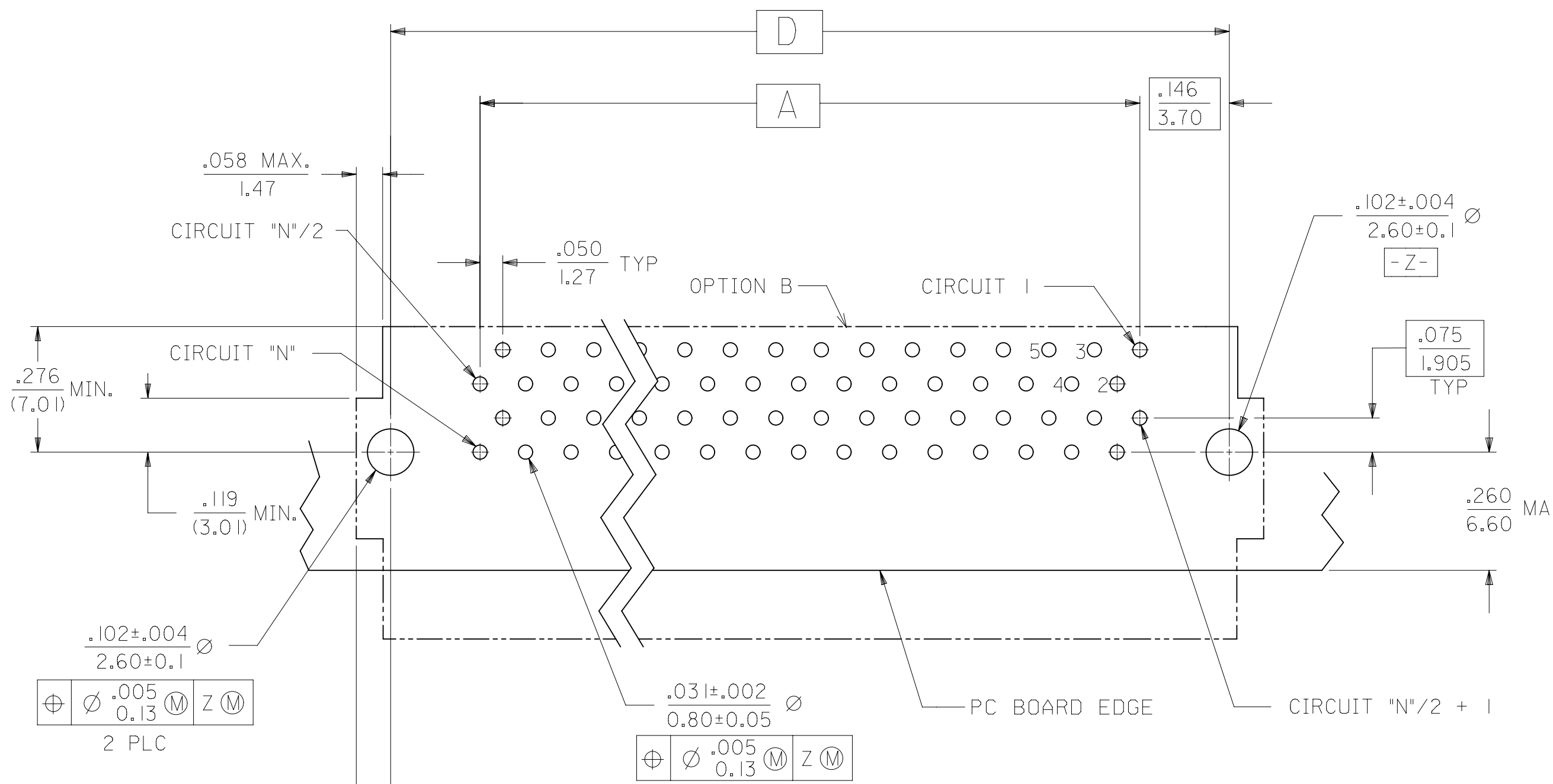


END DETAIL
OPTION B
(BOTH ENDS)

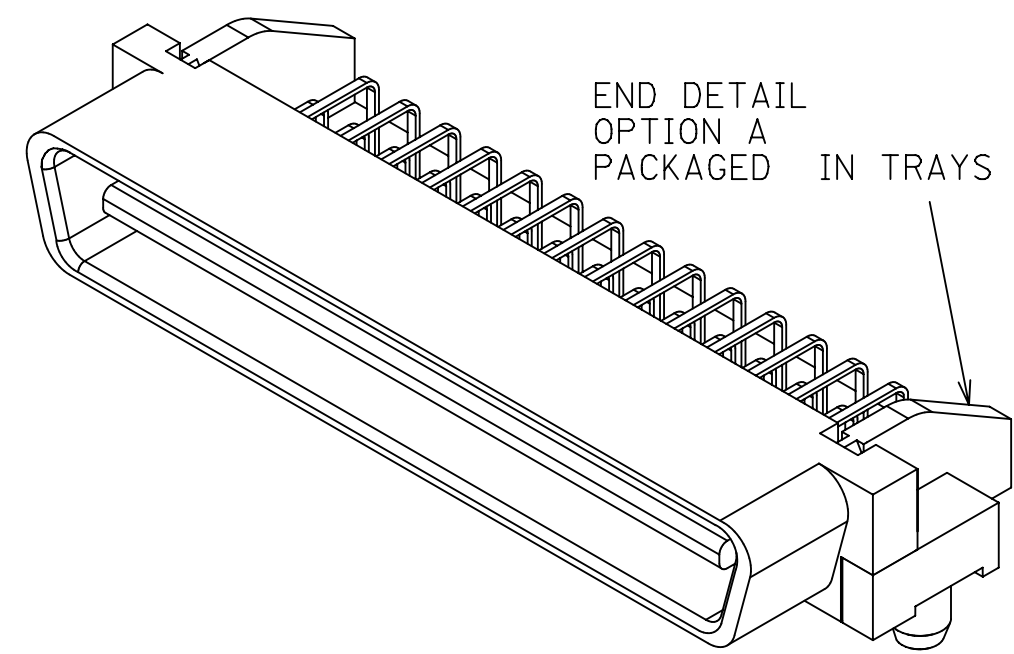
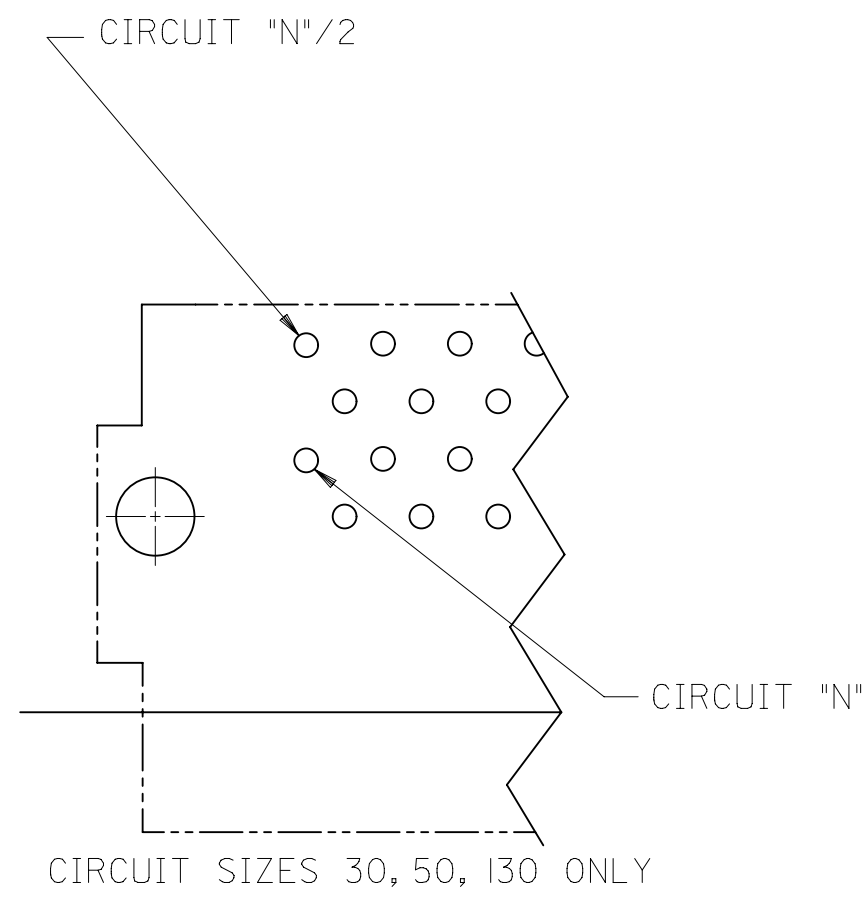


OPTION A

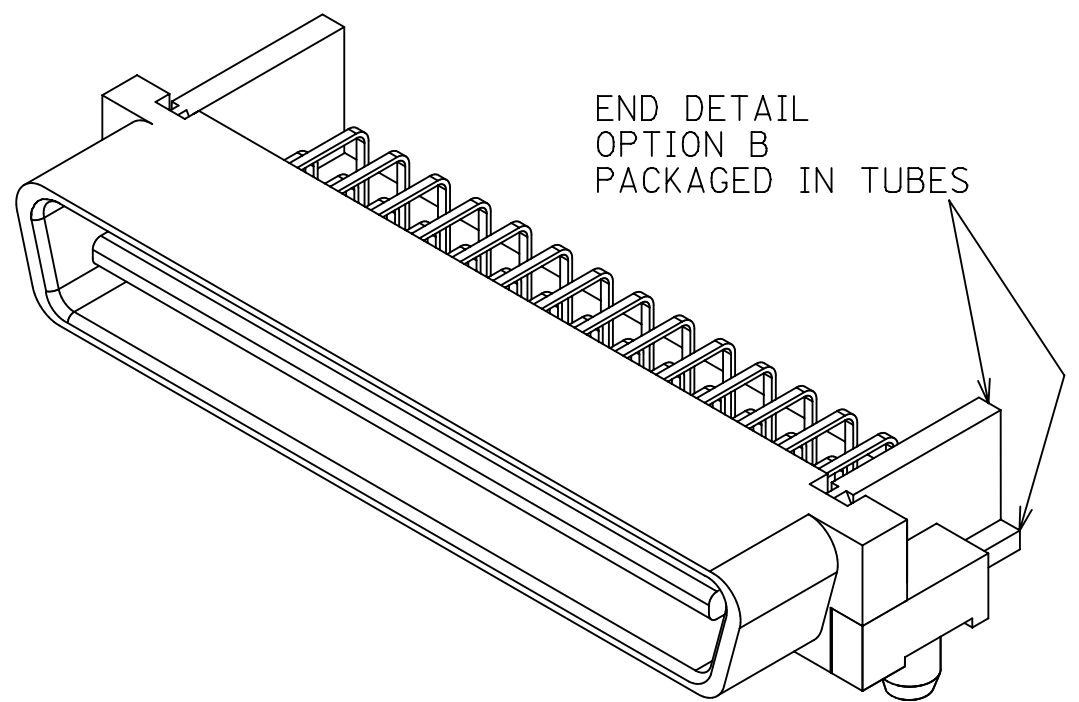
THIS DRAWING CONTAINS INFORMATION THAT IS PROPRIETARY TO MOLEX ELECTRONIC TECHNOLOGIES, LLC AND SHOULD NOT BE USED WITHOUT WRITTEN PERMISSION									
DIMENSION UNITS		SCALE		CURRENT REV DESC: REMOVED OBSOLETE PART NUMBER AS PER PCN#510808.					
INCH		4:1							
GENERAL TOLERANCES (UNLESS SPECIFIED)									
4 PLACES		±		±		EC NO: 736640		2023/01/31	
3 PLACES		±		± 0.01		DRWN: LIKITV		2023/02/16	
2 PLACES		±		0.25		CHK'D: GGA		2023/02/16	
1 PLACE		±		±		APPR: GGA			
0 PLACES		±		±		INITIAL REVISION:			
ANGULAR TOL		±		0.5°		DRWN: DRAWN BY		0099/99/99	
DRAFT WHERE APPLICABLE MUST REMAIN WITHIN DIMENSIONS		THIRD ANGLE PROJECTION		DRAWING		SERIES		DOCUMENT NUMBER	
				C-SIZE		71661		SDA-71661-2XXX	
								DOC TYPE DOC PART REVISION	
								PSD 001 R1	
								MATERIAL NUMBER CUSTOMER SHEET NUMBER	
								see table GENERAL MARKET 1 OF 2	



RECOMMENDED PC BOARD LAYOUT
COMPONENT SIDE



50 CIRCUIT ASSEMBLY SHOWN



END DETAIL
 OPTION B
 PACKAGED IN TUBES

TRAY PACK
 PER SPEC.
 PK-70873-084*

END DETAIL
 OPTION "A"

.110 (2.79)	2.741 (69.63)	2.892 (73.45)	2.676 (67.97)	2.450 (62.23)	100	71661-2100
	1.241 (31.53)	1.392 (35.35)	1.176 (29.87)	.950 (24.13)	40	71661-2040
	.991 (25.18)	1.142 (29.00)	.925 (23.52)	.700 (17.78)	30	71661-2030
E	D	C	B	A	CKT ("N")	ITEM NUMBER

THIS DRAWING CONTAINS INFORMATION THAT IS PROPRIETARY TO MOLEX ELECTRONIC TECHNOLOGIES, LLC AND SHOULD NOT BE USED WITHOUT WRITTEN PERMISSION

DIMENSION UNITS INCH	SCALE 4:1	CURRENT REV DESC: REMOVED OBSOLETE PART NUMBER AS PER PCN#510808.	
GENERAL TOLERANCES (UNLESS SPECIFIED)		EC NO: 736640	
	MM INCH	DRWN: LIKITV	2023/01/31
4 PLACES	± ±	CHK'D: GGA	2023/02/16
3 PLACES	± ± 0.01	APPR: GGA	2023/02/16
2 PLACES	± 0.25 ±	INITIAL REVISION:	
1 PLACE	± ±	DRWN: DRAWN BY	0099/99/99
0 PLACES	± ±	APPR: APPR BY	0099/99/99
ANGULAR TOL	± 0.5 °	THIRD ANGLE PROJECTION	DRAWING SERIES
DRAFT WHERE APPLICABLE MUST REMAIN WITHIN DIMENSIONS		C-SIZE	71661

molex			
SALES ASSEMBLY EBBI 50D RIGHT ANGLE PLUG CONNECTOR			
PRODUCT CUSTOMER DRAWING			
DOCUMENT NUMBER	DOC TYPE	DOC PART	REVISION
SDA-71661-2XXX	PSD	001	R1
MATERIAL NUMBER	CUSTOMER	SHEET NUMBER	
see table	GENERAL MARKET	2 OF 2	