

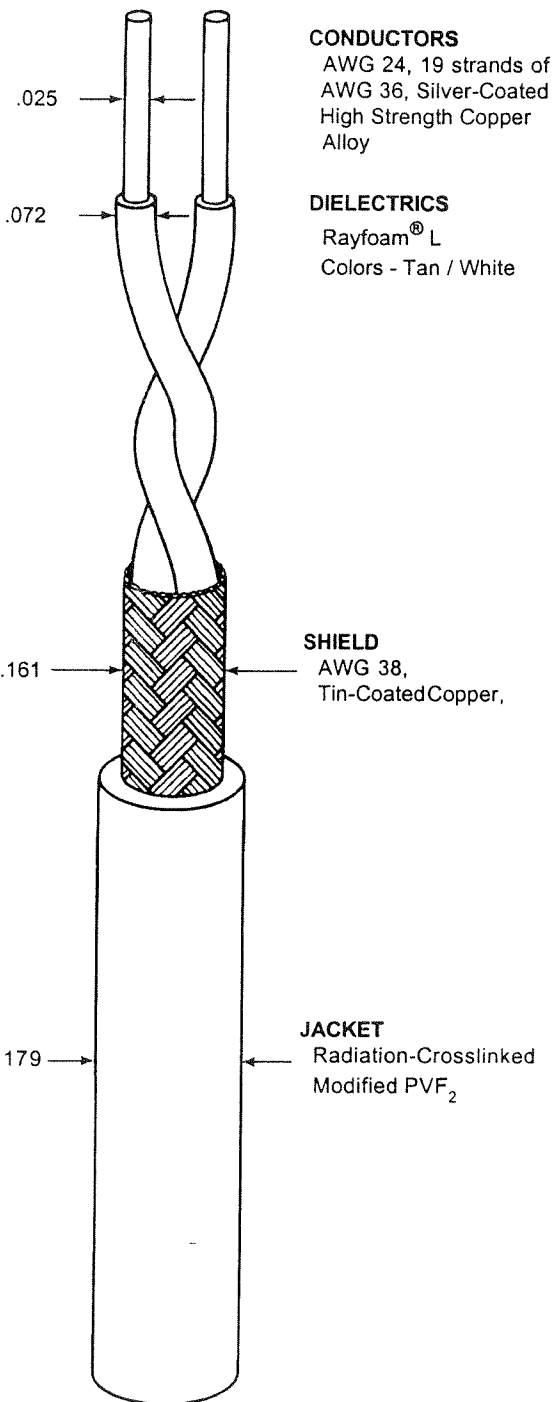
THIS SPECIFICATION SHEET FORMS A PART OF THE LATEST ISSUE OF RAYCHEM SPECIFICATION 1200.

CONSTRUCTION DETAILS

ELECTRICAL CHARACTERISTICS

DIMENSIONS ARE NOMINAL VALUES IN INCHES UNLESS OTHERWISE DESIGNATED.

CHARACTERISTIC IMPEDANCE	125 ± 10 ohms, Method C at 1 MHz
CAPACITANCE - MUTUAL	12.0 pF/ft. (nominal)
VELOCITY OF PROPAGATION	77% (nominal)



CONDUCTORS
AWG 24, 19 strands of
AWG 36, Silver-Coated
High Strength Copper
Alloy

DIELECTRICS
Rayfoam® L
Colors - Tan / White

SHIELD
AWG 38,
Tin-Coated Copper,

JACKET
Radiation-Crosslinked
Modified PVF₂

ADDITIONAL REQUIREMENTS

ELECTRICAL

CONDUCTOR RESISTANCE	26.5ohms/1000 ft. (nominal)
INSULATION RESISTANCE	10,000 megohms (minimum) for 1000 ft.
JACKET FLAWS	
SPARK TEST	1.0 kV (rms), 60 Hz
IMPULSE TEST	6.0 kV (peak)
VOLTAGE WITHSTAND (DIELECTRIC)	1000 volts (rms) (minimum)

ENVIRONMENTAL

AGING STABILITY	135°C/-55°C/5.00 inch mandrel
FLAMMABILITY	Method B
HEAT SHOCK	225°C
LOW TEMPERATURE- COLD BEND	-55°C/5.00 inch mandrel
VOLTAGE WITHSTAND (POST ENVIRONMENTAL)	1000 volts (rms), 1 minute

PHYSICAL

INSULATION (DIELECTRIC) (Prior to Cabling)	
ELONGATION	50% (minimum)
TENSILE STRENGTH	800 lbf/in ² (minimum)
JACKET	
ELONGATION	200% (minimum)
TENSILE STRENGTH	4000 lbf/in ² (minimum)
JACKET THICKNESS	.009 inch (nominal)
SHIELD COVERAGE	90% (minimum)

WEIGHT	15.3 lbs/1000 ft (nominal)
--------	----------------------------

After jacket color will be white (designated by a "-9" appended to the part number, e.g., 2524E0114-9) unless otherwise specified.

Designate outer jacket color with a dash number in accordance with MIL-STD-681.