

CUC-DST-ABK-CP7,5 - Bend protection sleeve



1419794

<https://www.phoenixcontact.com/us/products/1419794>

Please be informed that the data shown in this PDF document is generated from our online catalog. Please find the complete data in the user documentation. Our general terms of use for downloads are valid.

Bend protection sleeve, degree of protection: IP20, color: black



Commercial data

Item number	1419794
Packing unit	1 pc
Minimum order quantity	10 pc
Sales key	AB11
Product key	ABNCBZ
GTIN	4055626188232
Weight per piece (including packing)	2.14 g
Weight per piece (excluding packing)	2.04 g
Customs tariff number	39269097
Country of origin	DE

CUC-DST-ABK-CP7,5 - Bend protection sleeve



1419794

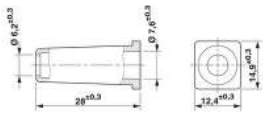
<https://www.phoenixcontact.com/us/products/1419794>

Technical data

Product properties

Product type	Sleeve housings
--------------	-----------------

Dimensions

Dimensional drawing	
Width	12.4 mm
Height	14.9 mm
Depth	17.2 mm
Length	28 mm

Material specifications

Color	black
Seal material	Thermoplastic elastomers

Cable/line

External cable diameter ()	6.2 mm ... 7.6 mm
-----------------------------	-------------------

Environmental and real-life conditions

Ambient conditions

Degree of protection	IP20
Ambient temperature (operation)	-35 °C ... 100 °C

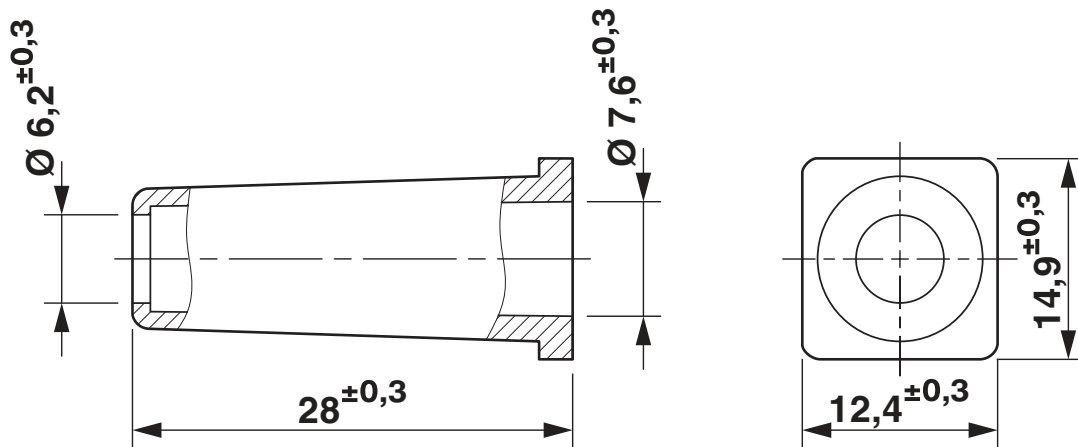
CUC-DST-ABK-CP7,5 - Bend protection sleeve

1419794

<https://www.phoenixcontact.com/us/products/1419794>

Drawings

Dimensional drawing



Bend protection sleeve

CUC-DST-ABK-CP7,5 - Bend protection sleeve



1419794

<https://www.phoenixcontact.com/us/products/1419794>

Approvals

To download certificates, visit the product detail page: <https://www.phoenixcontact.com/us/products/1419794>



EAC

Approval ID: B.01687

CUC-DST-ABK-CP7,5 - Bend protection sleeve



1419794

<https://www.phoenixcontact.com/us/products/1419794>

Classifications

ECLASS

ECLASS-11.0	27440302
ECLASS-12.0	27440302
ECLASS-13.0	27440302

ETIM

ETIM 8.0	EC001132
----------	----------

UNSPSC

UNSPSC 21.0	39121400
-------------	----------

CUC-DST-ABK-CP7,5 - Bend protection sleeve



1419794

<https://www.phoenixcontact.com/us/products/1419794>

Environmental product compliance

China RoHS	Environmentally friendly use period: unlimited = EFUP-e No hazardous substances above threshold values
------------	---

Phoenix Contact 2023 © - all rights reserved
<https://www.phoenixcontact.com>

Phoenix Contact USA
586 Fulling Mill Road
Middletown, PA 17057, United States
(+717) 944-1300
info@phoenixcon.com