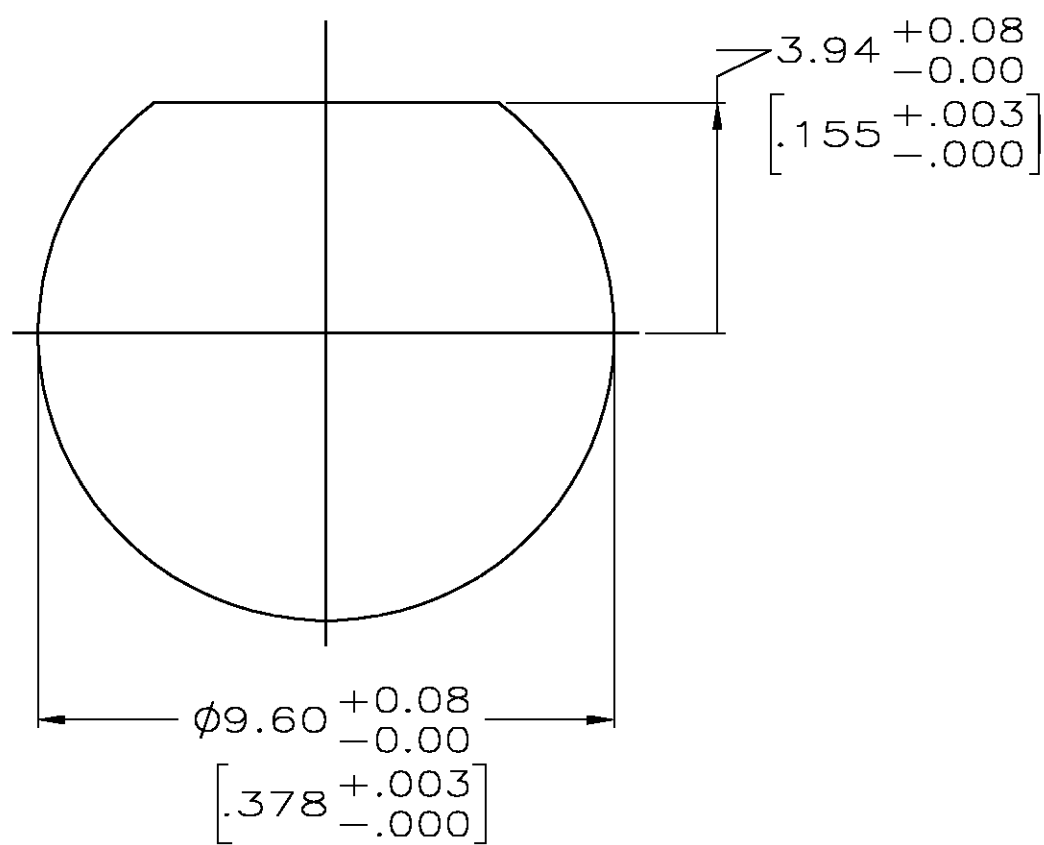
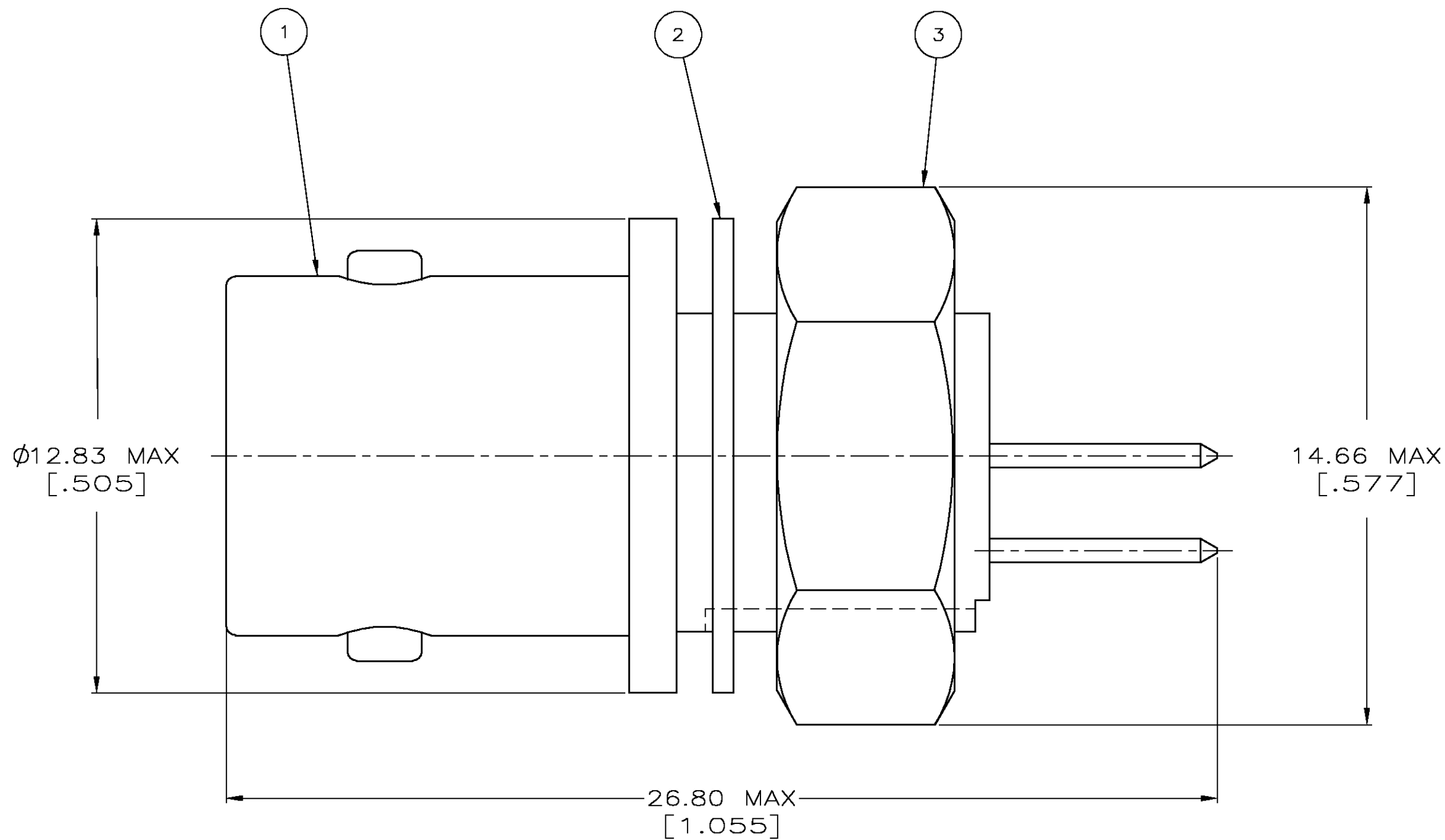


THIS DRAWING IS UNPUBLISHED. RELEASED FOR PUBLICATION
 © COPYRIGHT BY TYCO ELECTRONICS CORPORATION. ALL RIGHTS RESERVED.

LOC	DIST	REVISIONS					
AJ	16	P	LTR	DESCRIPTION	DATE	DWN	APVD
		B		EC PER OS14-0192-04	12NOV2004	JGH	JL



RECOMMENDED PANEL CUTOUT

9-414815-0	1-329492-1	414195-1	414194-1
③ JAM NUT QTY=1	② LOCK WASHER QTY=1	① SOLDER RCPT, ASSEMBLY QTY=1	PART NUMBER

THIS DRAWING IS A CONTROLLED DOCUMENT.		DWN M. E. COWHER 10-4-91	Tyco Electronics Corporation Harrisburg, PA 17105-3608	
DIMENSIONS: INCHES	TOLERANCES UNLESS OTHERWISE SPECIFIED:	CHK J. T. LIPPERT 10-17-91	NAME SOLDER RECEPTACLE, ISOLATED BNC	
	0 PLC ± -	APVD M. PHILIPS 10-17-91	SIZE	DRAWING NO
	1 PLC ± -	PRODUCT SPEC	A2	C=414194
	2 PLC ± -	APPLICATION SPEC	CAGE CODE	RESTRICTED TO
	3 PLC ± -		00779	-
	4 PLC ± -		SCALE	SHEET
	ANGLES ± -	WEIGHT	8:1	1 OF 1
MATERIAL	FINISH	CUSTOMER DRAWING	REV	B
-	-			