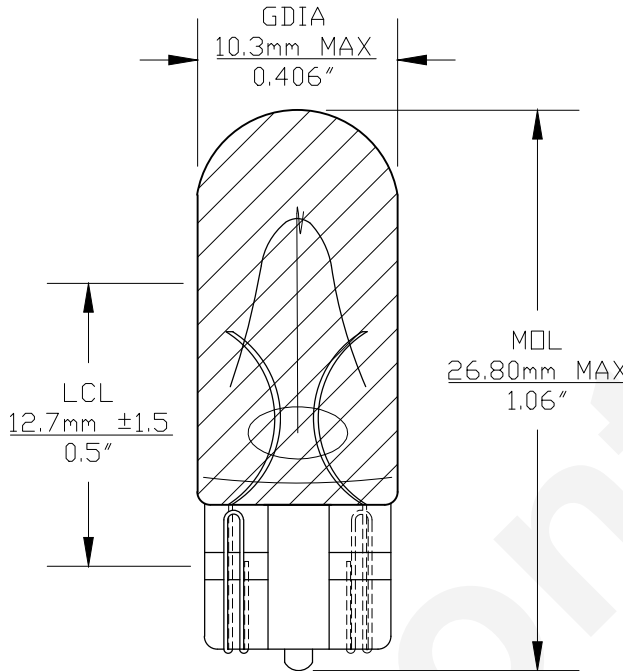


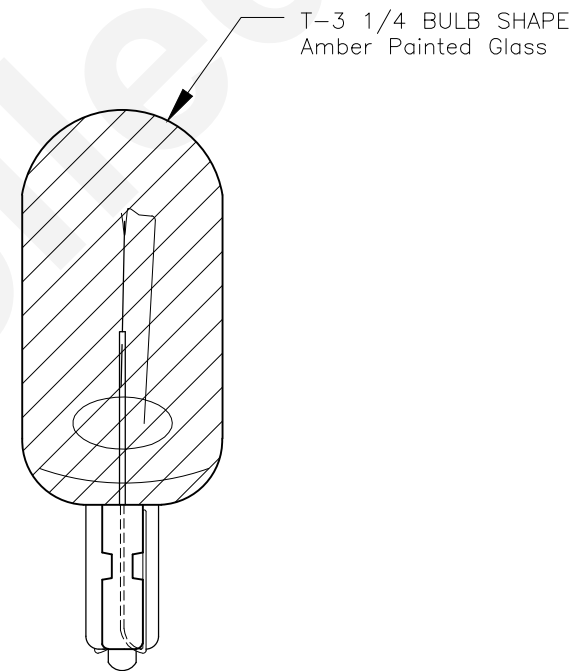


Since 1959

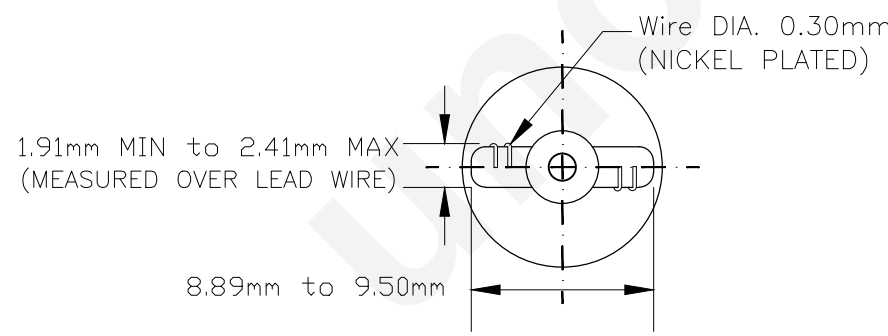
PART NO.	BASE TYPE	DESIGN VOLTS	DESIGN AMPS	MSCD	FILAMENT TYPE	AVERAGE LIFE HOURS	REVISIONS			
							REV #	DESCRIPTION	DATE	APPROVED
2825A	Glass Wedge T-3 1/4 (W2.1X9.5d)	12.0V	0.25±10%	1.76 ±30%	C-2V	300	1	ISSUED	06/04/2014	R.M.



0° VIEW



90° VIEW



BASE BOTTOM VIEW

T-3 1/4 BULB SHAPE
Amber Painted Glass



UNLESS OTHERWISE SPECIFIED: DIMENSIONS ARE IN INCHES TOLERANCES		CEC INDUSTRIES LTD			
DECIMALS	ANGULAR	599 BOND STREET		LINCOLNSHIRE, IL 60069	
.XX ± .05	± 0.5°	TITLE LIGHT BULB NO. 2825A			
.XXX ± .010		SIZE A	FSCM NO.	DWG NO. 2825A	REV 1
FRACTIONAL	± 1/64	DESIGN	SCALE	PLOT SCALE	SHEET 1 OF 1
DRAWN ROSE MEDINA DATE 06/04/2014		MATERIAL FILE 2825A.pdf DRAWING NOT TO SCALE			