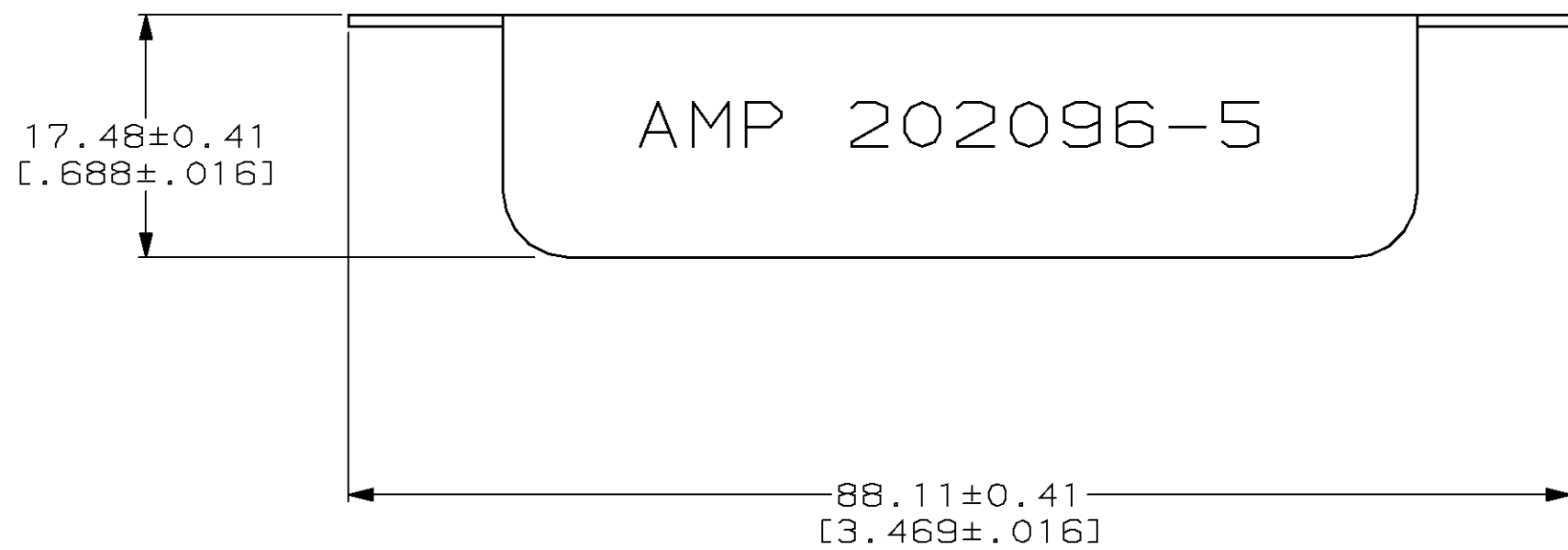
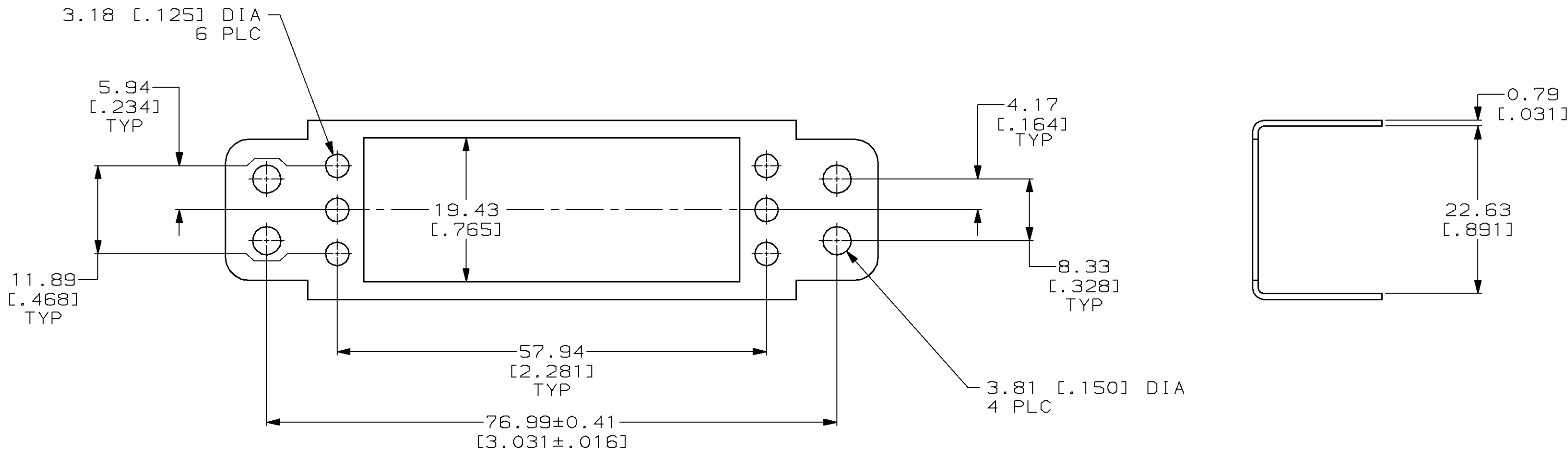


THIS DRAWING IS UNPUBLISHED. RELEASED FOR PUBLICATION
 BY AMP INCORPORATED. ALL RIGHTS RESERVED.

Loc		DIST		REVISIONS			
P	LTR	DESCRIPTION		DATE	DWN	APVD	
FT	8	F		REDRAWN W/O CHANGE PER EC 0020-292-96	02 MAY 96	BC	GS



202096-5
 PART NUMBER

THIS DRAWING IS A CONTROLLED DOCUMENT.		DWN	B. CARBO	02 MAY 96	AMP Incorporated Harrisburg, PA 17105-3608
DIMENSIONS:		CHK	R. STONE	16 MAY 96	
mm [INCHES]		APVD	G. STEINHAUER	16 AUG 96	
TOLERANCES UNLESS OTHERWISE SPECIFIED:		PRODUCT SPEC	NAME		
0 PLC	±-	APPLICATION SPEC	PIN HOOD, 50 POSITION, MOUNTING PLATE, EXTERNAL, M SERIES		
1 PLC	±-		SIZE	CAGE CODE	DRAWING NO
2 PLC	±0.13 [0.005]		A2	00779	C-202096
3 PLC	±-		SCALE	2:1	SHEET 1 OF 1
4 PLC	±-		CUSTOMER DRAWING		REV F
ANGLES	±-				
MATERIAL	CARBON STEEL	FINISH	5.08µm [0.000200] MIN NICKEL PER QQ-N-290	WEIGHT	-

96202

202096

A