

Control interface unit

IC-KP2-1HB17-2V1D



- LED status indicator of bus communication and read/write head
- Network loop through by means of integrated 2 port switch

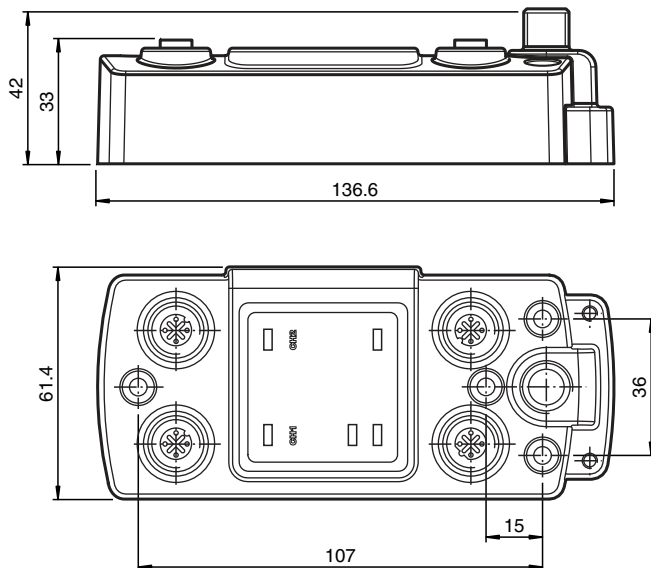
IDENTControl Compact control interface with Ethernet interface for TCP/IP, PROFINET, EtherNet/IP, and MODBUS TCP protocols



Function

The RFID identification system IDENTControl Compact from Pepperl+Fuchs offers a vast number of benefits compared to other systems, thanks to its innovative design. The control interfaces IDENTControl and IDENTControl Compact make up the core of the system. With its integrated interfaces to all commercially available fieldbus systems such as PROFIBUS, PROFINET, Ethernet, EtherCAT, CC-Link, serial connections (RS 232 or RS 485) and numerous connection options for read/write heads available for frequency ranges LF, HF and UHF, the IDENTControl Compact control interface can be easily and flexibly adapted to your requirements. LEDs on the front of the housing indicate bus communication, connected read/write heads and active read/write commands. Reliability of the application is further increased by using trigger sensors. The system is equally suited for use in control cabinets and field use in IP67. The interface to the higher-level fieldbus is integrated in the housing, and all connections are designed such that they are pluggable. This enables simple installation and quick, problem-free replacement in case of device failure. The consistent EMC design, with metal housing, grounding and shielded wires, offers a high degree of reliability.

Dimensions



Technical Data

General specifications

Refer to "General Notes Relating to Pepperl+Fuchs Product Information".

Pepperl+Fuchs Group
www.pepperl-fuchs.com

USA: +1 330 486 0001
fa-info@us.pepperl-fuchs.com

Germany: +49 621 776 1111
fa-info@de.pepperl-fuchs.com

Singapore: +65 6779 9091
fa-info@sg.pepperl-fuchs.com

PEPPERL+FUCHS

Technical Data

Number of read/write heads	max. 1	
UL File Number	E87056	
MTBF	70 a (Operation at +40 °C)	
Indicators/operating means		
LED Link/Traffic	green: network connection yellow: flashes in rhythm with the transmitted data	
LED 1	Status indicator for read/write head green: command at read/write head active yellow: approx. 1 second long, if command was successfully executed	
LED CH1	green: read head detected red: Configuration error	
LED PWR/ERR	green: power on yellow: system is starting red: PROFINET bus failure	
Rotary switch	Address setting	
Electrical specifications		
Rated operating voltage	U_e	20 ... 30 V DC , PELV
Ripple	≤ 10 % at 30 V DC	
Current consumption	≤ 2 A incl. read/write head	
Power consumption	P_0	3.5 W Without read/write heads
Galvanic isolation	basic insulation acc. to DIN EN 50178, rated insulation voltage of 50 V _{eff}	
Interface 1		
Physical	Ethernet	
Protocol	SMTP HTTP TCP/IP (Port 10000) MODBUS/TCP EtherNet/IP PROFINET IO	
Transfer rate	10 MBit/s or 100 MBit/s	
Interface 2		
Physical	Ethernet	
Protocol	SMTP HTTP TCP/IP (Port 10000) MODBUS/TCP EtherNet/IP PROFINET IO	
Transfer rate	10 MBit/s or 100 MBit/s	
Directive conformity		
Electromagnetic compatibility		
Directive 2014/30/EU	EN 61000-6-2 EN 61000-6-4	
RoHS		
Directive 2011/65/EU (RoHS)	IEC/EN 63000	
Standard conformity		
Degree of protection	IEC 60529	
Ambient conditions		
Ambient temperature	-25 ... 70 °C (-13 ... 158 °F)	
Storage temperature	-40 ... 85 °C (-40 ... 185 °F)	
Climatic conditions	air humidity max. 96 % Salt spray resistant to EN 60068-2-52	
Shock and impact resistance	Oscillation (Sine): 5 g, 10 - 1000 Hz to EN 60068-2-6 Shock (Half-sine): 30 g, 11 ms in accordance with EN 60068-2-27	
Mechanical specifications		
Housing length	137 mm	
Housing width	62 mm	
Housing height	42 mm	
Degree of protection	IP67	

Release date: 2023-08-07 Date of issue: 2023-08-07 Filename: 200876_eng.pdf

Refer to "General Notes Relating to Pepperl+Fuchs Product Information".

 Pepperl+Fuchs Group
www.pepperl-fuchs.com

 USA: +1 330 486 0001
fa-info@us.pepperl-fuchs.com

 Germany: +49 621 776 1111
fa-info@de.pepperl-fuchs.com

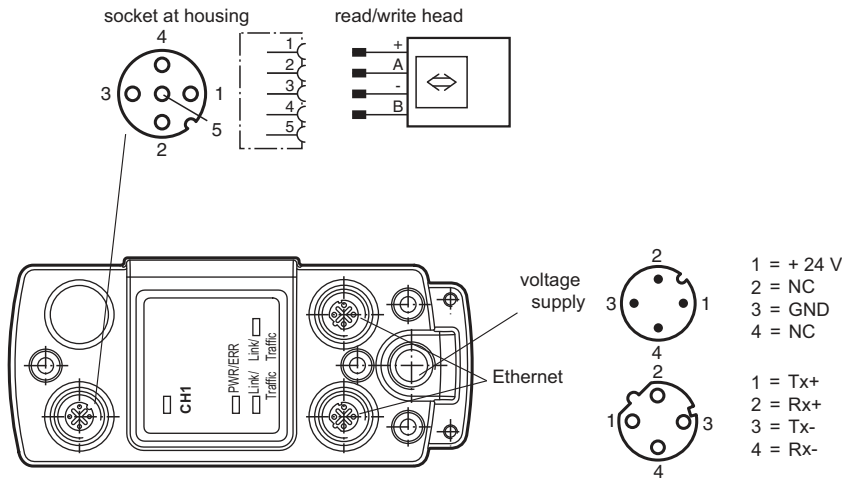
 Singapore: +65 6779 9091
fa-info@sg.pepperl-fuchs.com

 **PEPPERL+FUCHS**

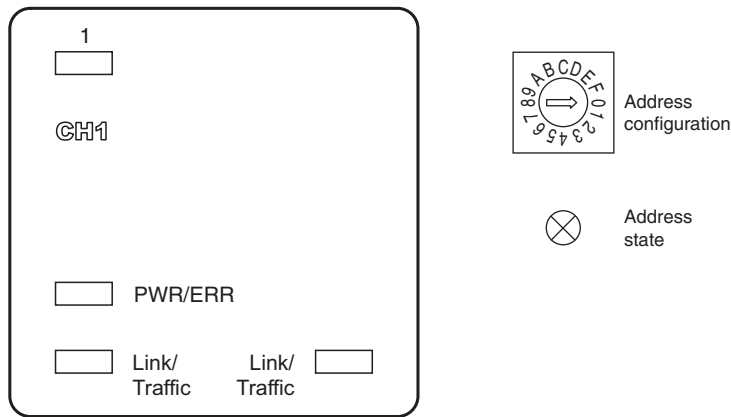
Technical Data

Connection	Read/write heads: shielded, 4-pin, M12 connector Power supply: M12 connector Protective earth: M4 earthing screw Ethernet: M12 plug connection
Material	
Housing	powder coated aluminum
Installation	screw fixing
Mass	approx. 300 g

Connection



Assembly





Accessories

	V1-G-2M-PUR-ABG-V1-W	Cordset M12 socket straight to M12 plug angled A-coded, 4-pin, PUR cable grey, shielded
	V1-G-10M-PUR-ABG-V1-W	Cordset M12 socket straight to M12 plug angled A-coded, 4-pin, PUR cable grey, shielded
	ICZ-MH05-SACB-8	Mounting aid for DIN rail

Release date: 2023-08-07 Date of issue: 2023-08-07 Filename: 200876_eng.pdf

Refer to "General Notes Relating to Pepperl+Fuchs Product Information".

Accessories

	V1-G-5M-PUR-ABG-V1-W Cordset M12 socket straight to M12 plug angled A-coded, 4-pin, PUR cable grey, shielded	
	V1-G-5M-PUR-ABG	Female cordset single-ended M12 straight A-coded, 4-pin, PUR cable grey, shielded