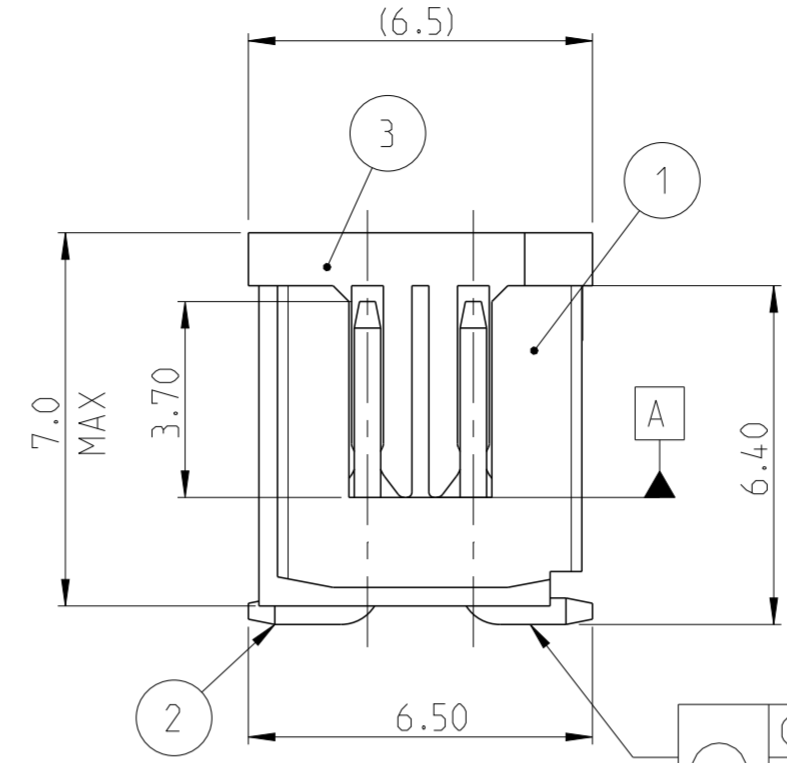
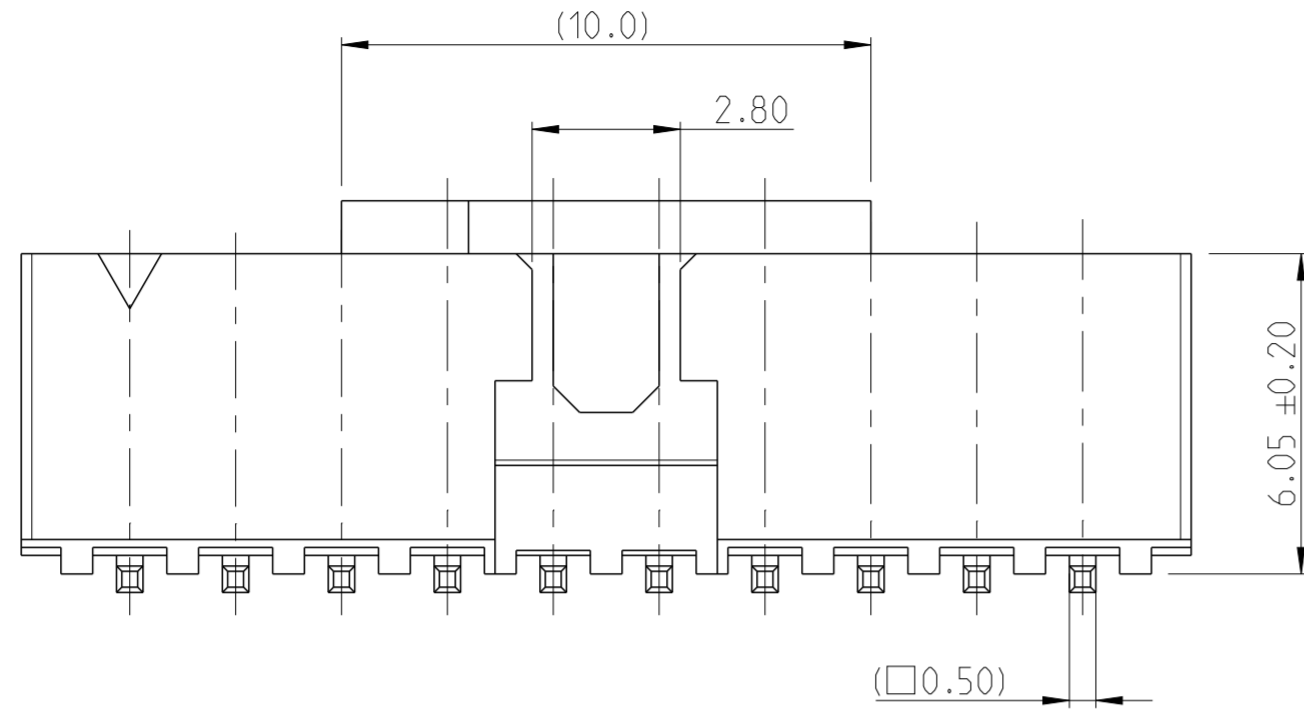


P	LTR	DESCRIPTION	DATE	DWN	APVD
A		RELEASE TO PRODUCTION	28NOV2019	AY	PS
A1		REMOVE POSITION 4, 6 AND 8	04JUN2020	AY	PS



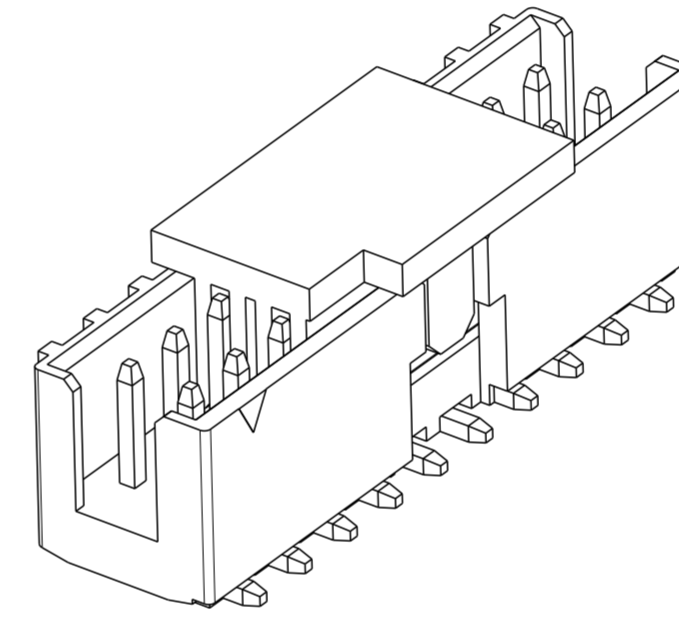
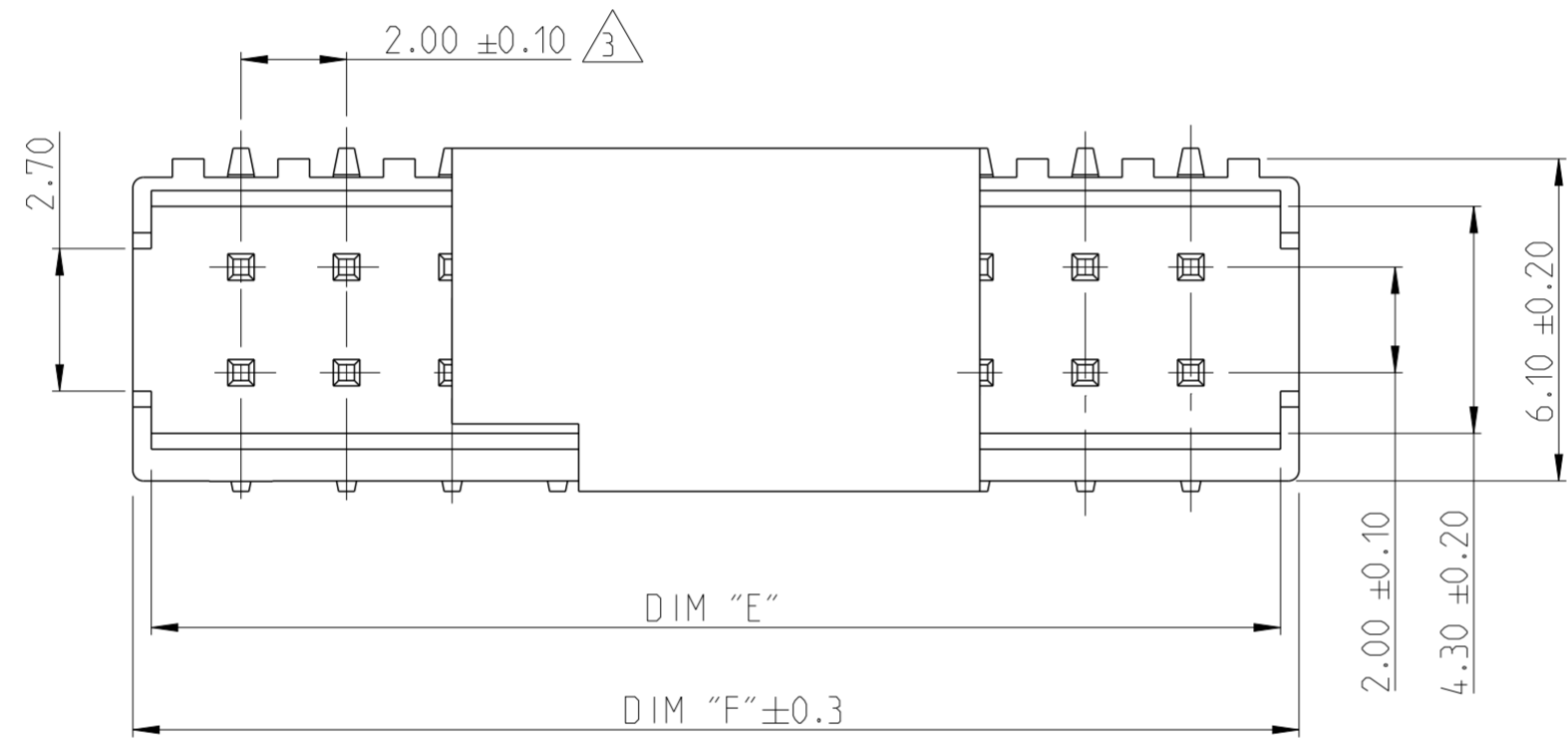
NOTES:

- MATERIAL
HOUSING & P&P CAP : HIGH TEMPERATURE THERMOPLASTIC, UL94-V0; COLOR- BLACK
POST : COPPER ALLOY
FINISH :
MATING SIDE: MIN. 0.1 μm GOLD OVER NICKEL UNDER PLATING.
SOLDER SIDE: MIN. 2.0 μm TIN OVER NICKEL UNDER PLATING.
- PACKAGING: TUBE (WITH PICK AND PLACE CAP)

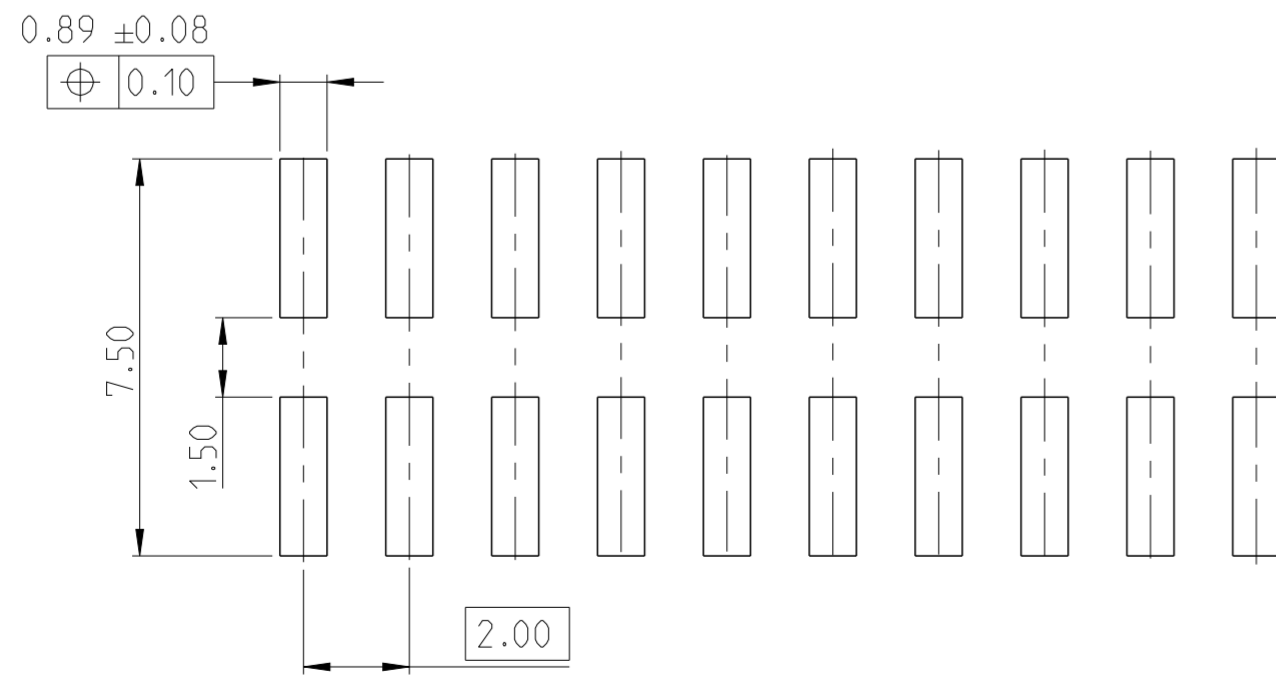
△ 3 TOLERANCE NOT CUMULATIVE.

	0.10	A	10-30 POS
	0.15	A	32-50 POS

ALL CONTACTS



2-2842274-0 AS SHOWN



RECOMMENDED PCB PATTERN

52.10	51.40	50	5-2842274-0
50.10	49.40	48	4-2842274-8
48.10	47.40	46	4-2842274-6
46.10	45.40	44	4-2842274-4
44.10	43.40	42	4-2842274-2
42.10	41.40	40	4-2842274-0
40.10	39.40	38	3-2842274-8
38.10	37.40	36	3-2842274-6
36.10	35.40	34	3-2842274-4
34.10	33.40	32	3-2842274-2
32.10	31.40	30	3-2842274-0
30.10	29.40	28	2-2842274-8
28.10	27.40	26	2-2842274-6
26.10	25.40	24	2-2842274-4
24.10	23.40	22	2-2842274-2
22.10	21.40	20	2-2842274-0
20.10	19.40	18	1-2842274-8
18.10	17.40	16	1-2842274-6
16.10	15.40	14	1-2842274-4
14.10	13.40	12	1-2842274-2
12.10	11.40	10	1-2842274-0
DIM "F"	DIM "E"	POS.	TE PN.

PICK AND PLACE CAP	3
CONTACT PIN	2
HOUSING	1
DESCRIPTION	ITEM NO.

THIS DRAWING IS A CONTROLLED DOCUMENT.		DWN	11NOV2019
		CHK	25NOV2019
		APVD	27NOV2019
DIMENSIONS: mm		TOLERANCES UNLESS OTHERWISE SPECIFIED:	
		0 PLC	±
		1 PLC	±
		2 PLC	±0.25
		3 PLC	±
		4 PLC	±
		ANGLES	±2°
MATERIAL		FINISH	
SEE NOTES		SEE NOTES	

TE Connectivity		NAME	
		AMPMODU 2mm SHROUDED HEADER DUAL ROW, VERTICAL SMD, 0.1 Au, TUBE, WITH PICK AND PLACE CAP	
SIZE	CAGE CODE	DRAWING NO	RESTRICTED TO
A2	00779	C-2842274	-
CUSTOMER DRAWING		SCALE	SHEET
		5:1	1 OF 1
		REV	A1