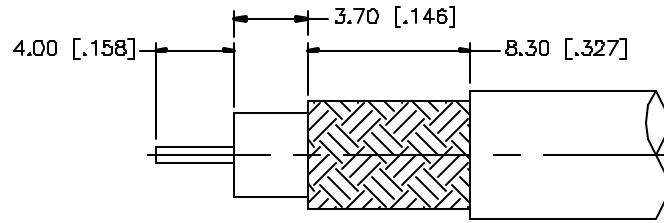
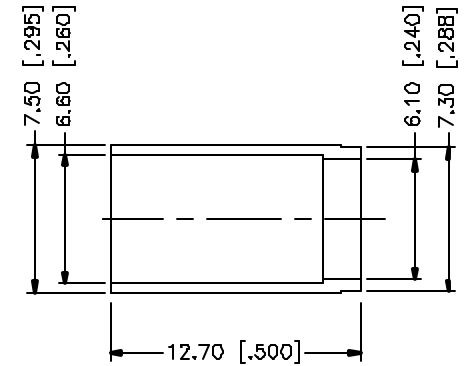
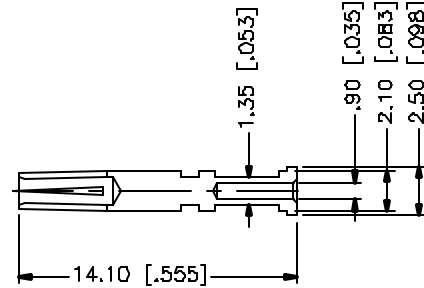
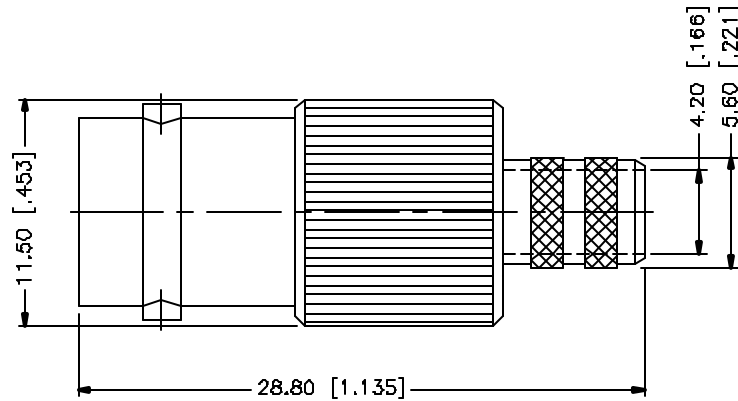


REV.	DATE	DESCRIPTION
A	03/18/05	UPDATE DRAWING FORMAT



RECOMMENDED  
CABLE STRIPPING DIM'S



8				
7				
6				
5				
4	FERRULE	COPPER	NICKEL	1
3	CONTACT PIN	PHOS. BRONZE	GOLD	1
2	INSULATOR	TEFLON	NATURAL	1
1	BODY	BRASS	NICKEL	1
	DESCRIPTION	MATERIAL	FINISH	QTY

UNLESS OTHERWISE SPECIFIED DIMENSIONS ARE IN MILLIMETERS. DIMENSIONS IN [ ] ARE IN INCHES AND FOR CUSTOMER REFERENCE ONLY.

UNLESS OTHERWISE SPECIFIED TOLERANCES FOR MILLIMETERS ARE:  
0.5 - 8mm ± 0.20mm  
8 - 30mm ± 0.40mm  
30 - 120mm ± 0.60mm

UNLESS OTHERWISE SPECIFIED TOLERANCES FOR INCHES ARE:  
.020 - .315 = ± 0.007"  
.315 - 1.180 = ± 0.015"  
1.180 - 4.724 = ± 0.020"

DO NOT SCALE DRAWING

APPROVALS	DATE
DRAWN G.R.S.	03/18/05
CHECKED	
ISSUED	
SHEET 1 OF 1	
CAD FILE C:/112/112973.DWG	

<b>Amphenol Connex</b>			
PART DESCRIPTION <b>BNC CRIMP JACK (FOR AT&amp;T 734A CABLE - 75ohm)</b>			
PART NO. <b>112973</b>			
DWG. NO.	112973.DWG	REV. A	SIZE A
SCALE	NA		