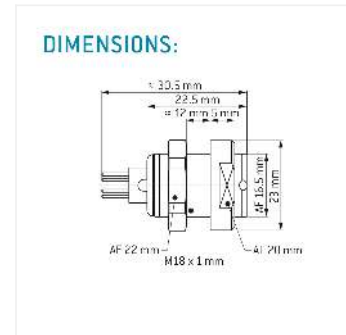
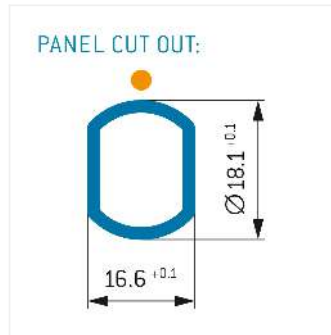
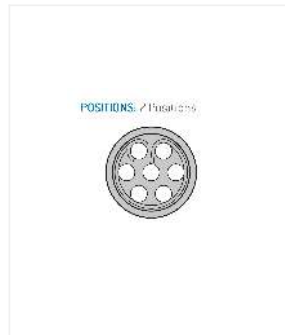
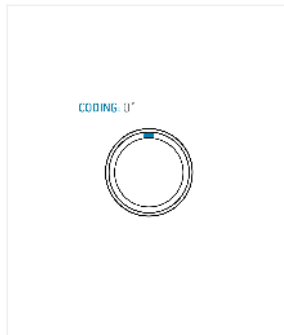


General information

Part number	G53LOC-P07PSNO-0000
Termination	crimp
Size	3
Locking principle	break , push
Coding	0_key



Contact insert description

Number of contacts	7
Contact type	pins
Contact diameter	16mm
Insulator material	peek
Wire cross section	14-18_awg
Termination	crimp

reverse_gender_on_request

Technical information

Max. creepage and air clearance distance	11_mm	12_mm
Nominal current single contact	21_a	iec_60512_5_2
Nominal current insert	13,65 A	vde_0298_4
Test voltage	135_kv_ac	sae_13441

safety_text

Mechanical and environmental data

Degree of protection*	ip50
Operating temperature	40_120_c
Mating cycles	5000

mated_unmated

Material and surface treatments

Housing	m_chrome
Contact	cu_alloy_gold

safety_text_2
ul_text
illustrative_text