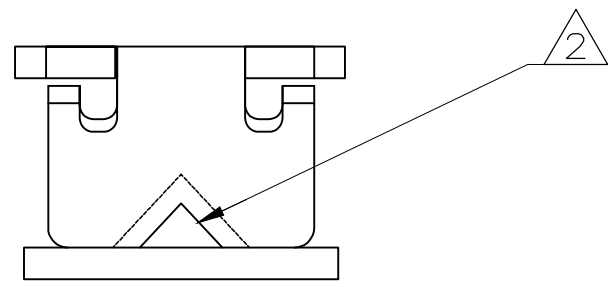
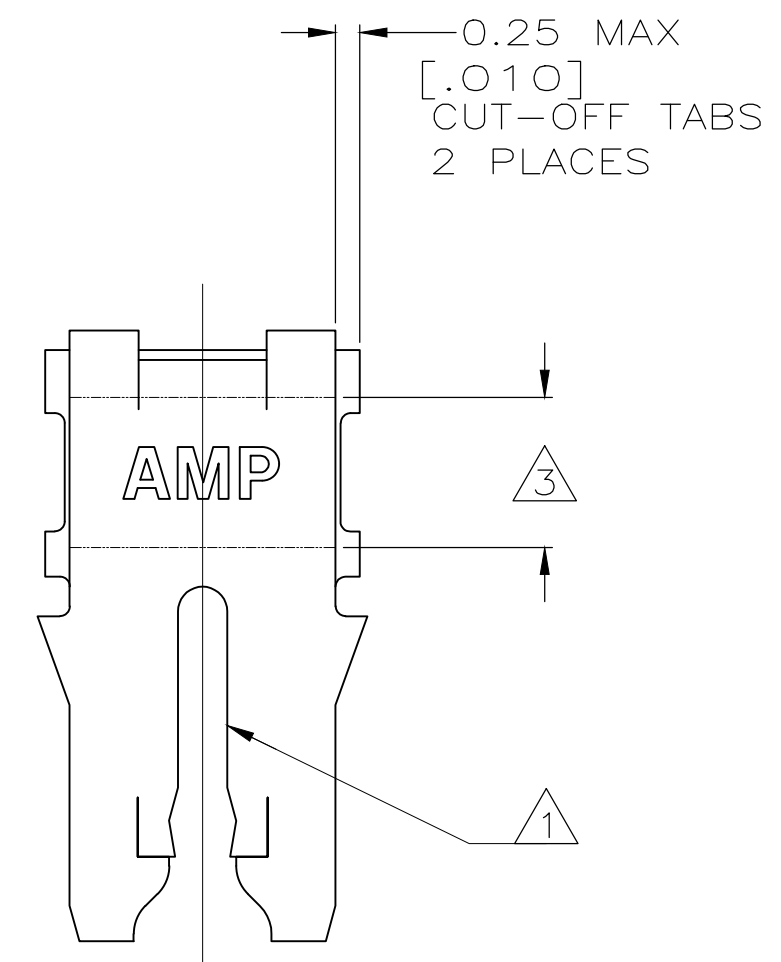
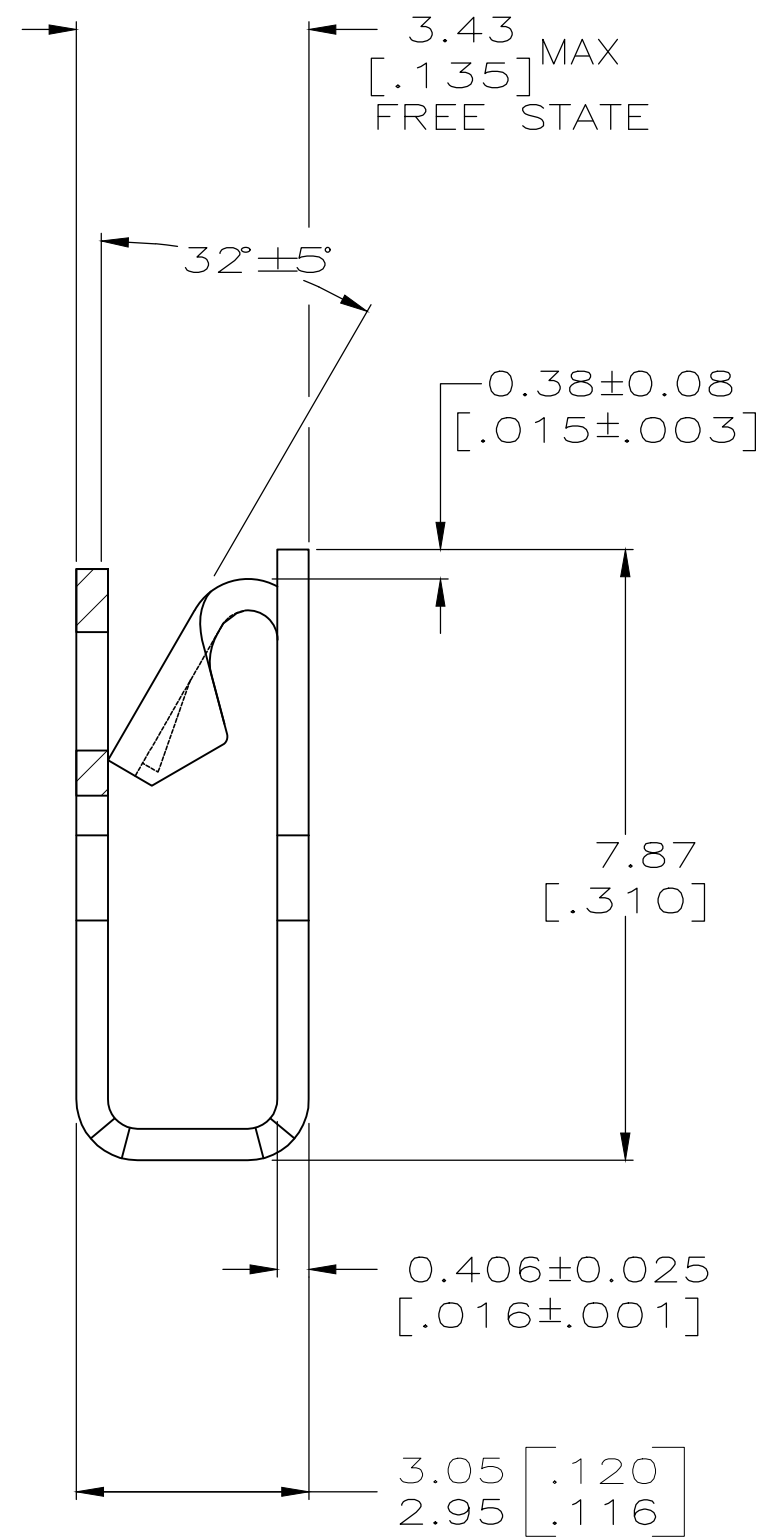
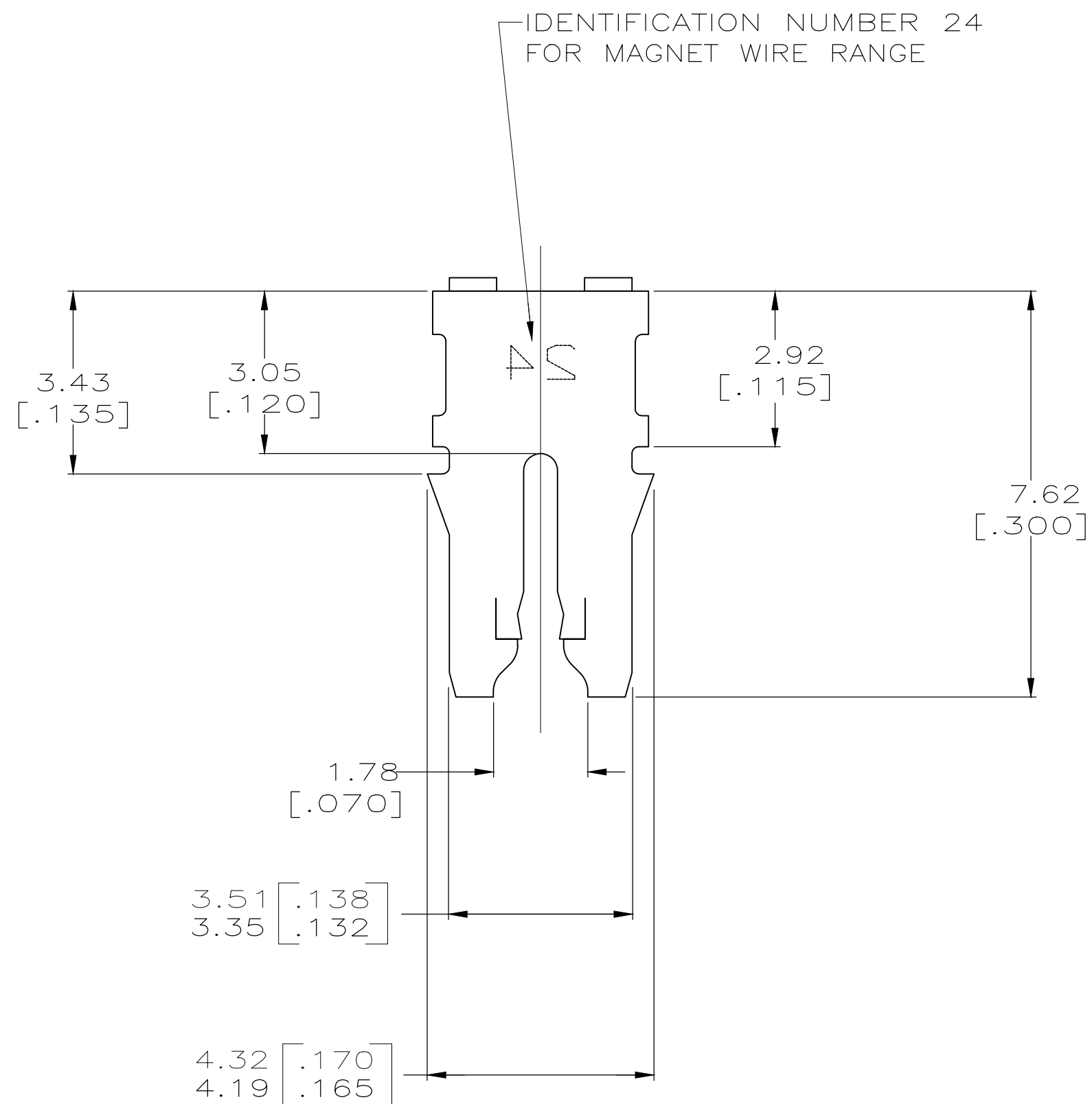


THIS DRAWING IS UNPUBLISHED. RELEASED FOR PUBLICATION
 © COPYRIGHT - By - ALL RIGHTS RESERVED.

LOC	DIST	REVISIONS			
P	LTR	DESCRIPTION	DATE	DWN	APVD
AF	50	B	WIRE SIZE EXTENDED TO 16.5AWG	11NOV2019	JA PKS



- ① SLOT ACCEPTS 0.91–1.20mm [#19–#16.5] AWG COPPER MAGNET WIRE.
 SLOT ACCEPTS 0.95–1.20mm [#18.5–#16.5] AWG ALUMINUM MAGNET WIRE.
 ALUMINUM WIRE RANGE APPLIES FOR POST-TIN PLATED VERSIONS ONLY. A SINGLE WIRE ONLY.
- ② POKE-IN ACCEPTS A 0.50–0.90mm² [#20–#18] AWG SOLID OR FUSED STRANDED LEAD WIRE.
- ③ ORANGE COLOR STRIPE TO BE APPLIED TO THIS SURFACE DURING LOOSE PIECE OPERATIONS TO PROVIDE COLOR CODING OF MAGNET WIRE RANGE.



62912-1
 PART NUMBER

THIS DRAWING IS A CONTROLLED DOCUMENT.		DWN 17JUL2000 MICHAEL S. FEHER																				
DIMENSIONS: INCHES		CHK 17JUL2000 KURT A. RANDOLPH																				
TOLERANCES UNLESS OTHERWISE SPECIFIED:		APVD 17JUL2000 KURT A. RANDOLPH	NAME																			
<table border="1"> <tr><td>0 PLC</td><td>±</td><td>-</td></tr> <tr><td>1 PLC</td><td>±</td><td>-</td></tr> <tr><td>2 PLC</td><td>±</td><td>0.25[.010]</td></tr> <tr><td>3 PLC</td><td>±</td><td>-</td></tr> <tr><td>4 PLC</td><td>±</td><td>-</td></tr> <tr><td>ANGLES</td><td>±</td><td>-</td></tr> </table>		0 PLC	±	-	1 PLC	±	-	2 PLC	±	0.25[.010]	3 PLC	±	-	4 PLC	±	-	ANGLES	±	-	PRODUCT SPEC 108-2012	TERMINAL, POKE-IN, LOOSE PIECE, 300 SERIES MAG-MATE	
0 PLC	±	-																				
1 PLC	±	-																				
2 PLC	±	0.25[.010]																				
3 PLC	±	-																				
4 PLC	±	-																				
ANGLES	±	-																				
MATERIAL: BRASS		FINISH: TIN PLATED	APPLICATION SPEC 114-2046	RESTRICTED TO																		
		WEIGHT: -	SIZE: A2	CAGE CODE: 00779																		
		CUSTOMER DRAWING	DRAWING NO: C-62912	SCALE: 10:1																		
			SHEET: 1 of 1	REV: B																		