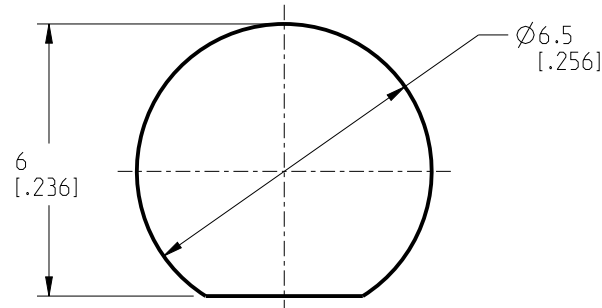
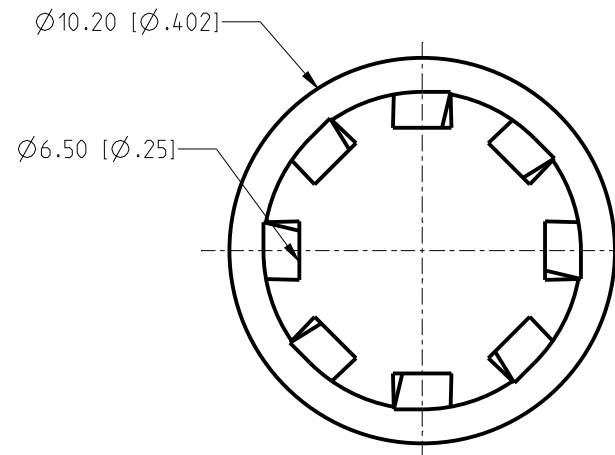
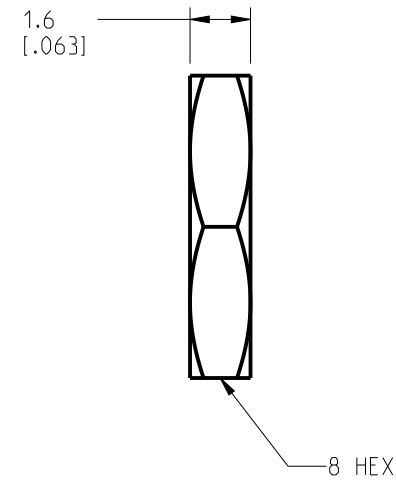


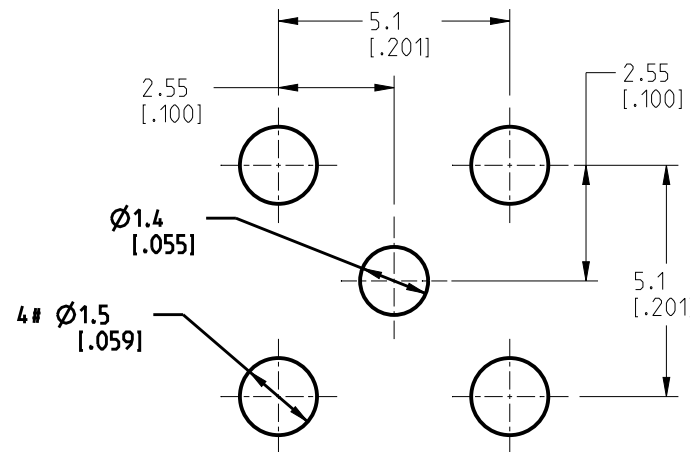
NOTES:

1. MATERIALS AND FINISHES:
 - BODY - BRASS, GOLD PLATING
 - CONTACT - BERYLLIUM COPPER, GOLD PLATING
 - INSULATOR - PTFE, NATURAL
 - NUT AND LOCK WASHER - BRASS, GOLD PLATING
2. ELECTRICAL:
 - A. IMPEDANCE: 50 OHM
 - B. FREQUENCY: DC - 12.4 GHz
 - C. DIELECTRIC WITHSTANDING VOLTAGE: 500 VRMS, MIN.
3. MECHANICAL:
 - A. DURABILITY: 500 CYCLES MIN.
 - B. TEMPERATURE RANGE: -65°C TO 165°C
4. MAX. PANEL THICKNESS: 4.2 mm
5. PACKAGING:
 - A. QUANTITY: SINGLE PACK
 - B. MARKING: PACKAGING TO BE MARKED "AMPHENOL RF, 132203-16, AND DATE CODE"

REVISIONS				
REV	DESCRIPTION	DATE	ECN	BY
A	RELEASE TO MFG	13 APR 2008	---	---
B	PRPROPOSED UPDATE RELEASE FOR MFG	29 SEP 2020	15551	DG



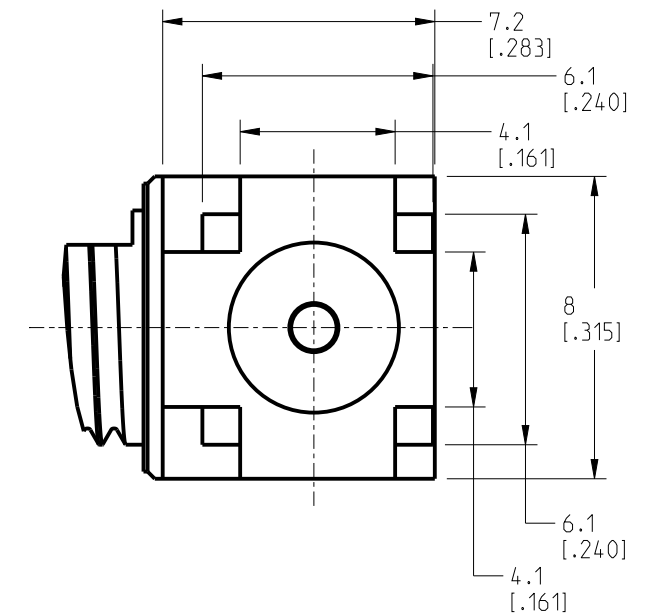
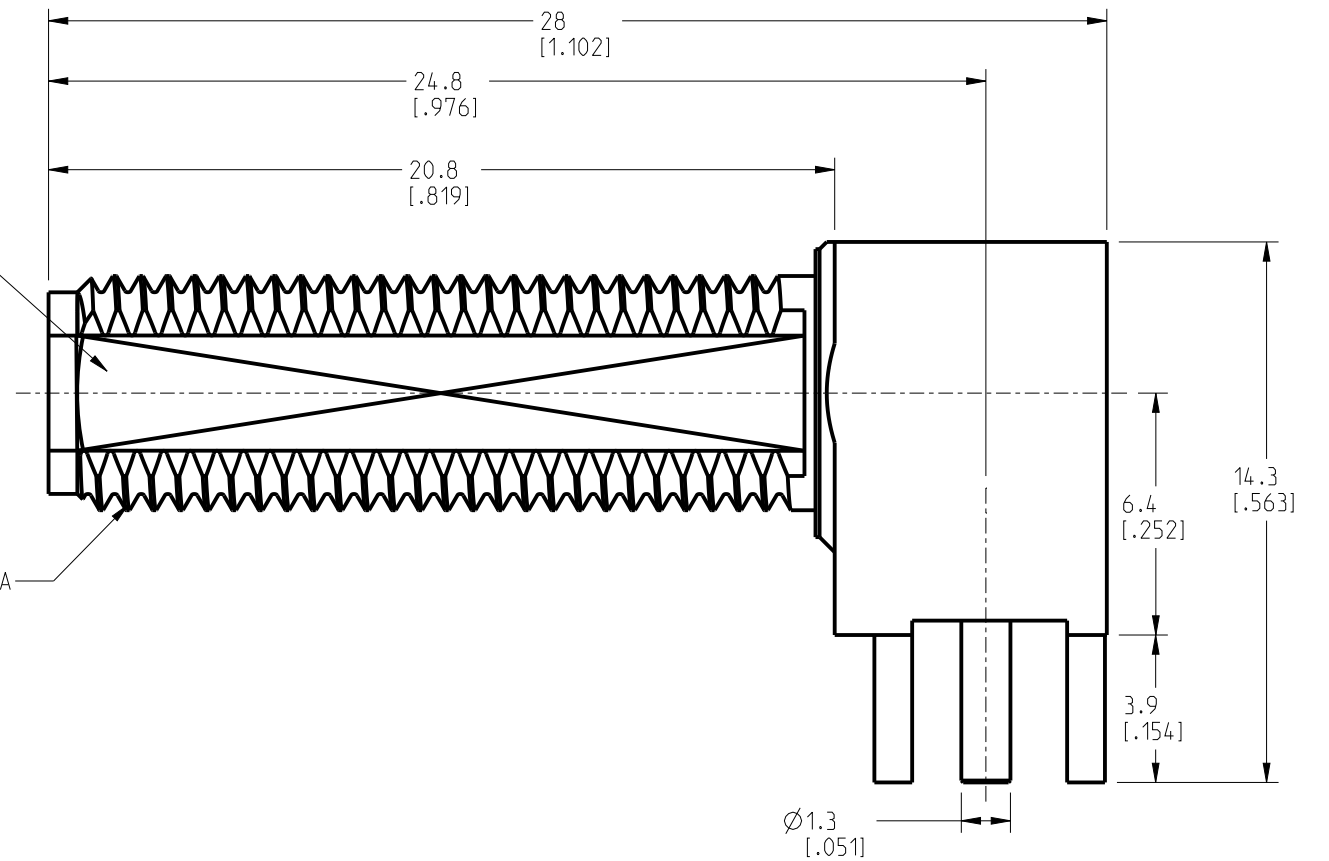
SCALE 6.000
RECOMENDED
MOUNTING HOLE



SCALE 6.000
PCB MOUNTING HOLES

5.9 ON FLAT

1/4-36UNS-2A



CUSTOMER OUTLINE DRAWING

ALL OTHER SHEETS ARE FOR INTERNAL USE ONLY

<p>NOTICE: These drawings, specifications, or other data (1) are, and remain the property of Amphenol corp. (2) must be returned upon request; and (3) are confidential and not to be disclosed to any person other than those to whom they are given by Amphenol Corp. The furnishing of these drawings, specifications, or other data by Amphenol Corp., or to any other person to anyone for any purpose is not to be regarded by implication or otherwise in any manner licensing, granting rights to permitting such holder or any other person to manufacture, use or sell any product, process or design, patented or otherwise, that may in any way be related to or disclosed by said drawings, specifications, or other data.</p>		<p>UNLESS OTHERWISE SPECIFIED DIMENSIONS ARE METRIC (INCHES) AND TOLERANCES ARE:</p> <p><0.5mm = ±0.05mm [$<0.020 = \pm 0.002$]</p> <p>>0.5 - 6mm = ±0.1mm [$>0.020 - 0.236 = \pm 0.004$]</p> <p>>6.00 - 30mm = ±0.2mm [$>0.236 - 1.181 = \pm 0.008$]</p> <p>>30.00 - 120mm = ±0.3mm [$>1.181 - 4.725 = \pm 0.012$]</p>		<p>MATERIAL</p>		<p>TITLE</p> <p>SMA R/A BULKHEAD RECEPTACLE</p>		<p>Amphenol RF</p>	
<p>THIRD ANGLE PROJ. </p>		<p>ANGLES = ±1°</p>		<p>ENGINEER T HOWLETT</p>		<p>DATE 24-SEP-20</p>		<p>SHEET NO. 2 OF 2</p>	
<p>REFERENCE</p>		<p>EAR#</p>		<p>SCALE: 2.0:1.0</p>		<p>SIZE</p> <p>B</p>		<p>DRAWING NO. 132203-16</p> <p>ITEM NO. 132203-16</p> <p>PART NO. 132203-16</p>	
								<p>REV</p> <p>B</p>	