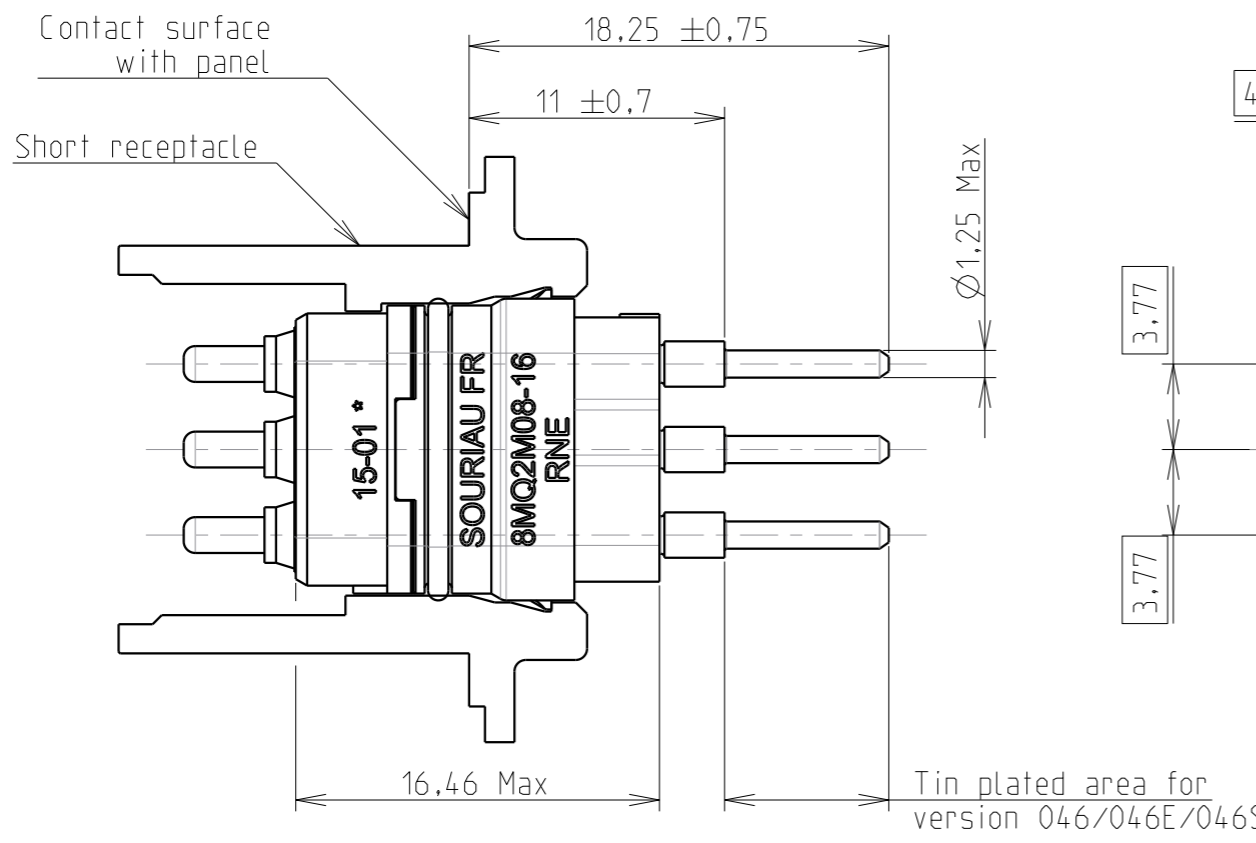
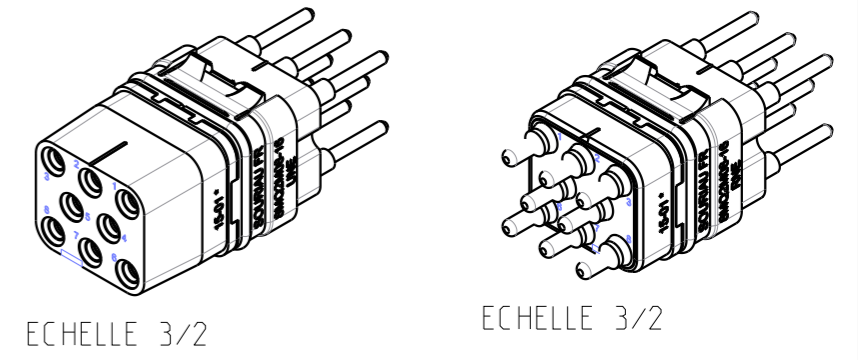


H G F E D C B A



MASS ± 5% (g)	
Male module	8.6
Female module	10.3



### Technical requirements

- 1- According to EN4165
- 2- Voltage proof test (Sea level) :  
- #16 > 1500 V r.m.s.
- 3- Insulation resistance > 5000 MΩ
- 4- Climatic sequence : -55 °C / +175 °C
- 5- Fluid resistance : See standard EN 4165-001 (table 40)
- 6- Contact retention in insert :  
- #16 = 110 N
- 7- Materials : Thermoplastic and silicone
- 8- Delivered with protection cap

Country	Jurisdiction & Control List
FR	NOT LISTED

P/N : SEE TABLE

ISS	DATE	Update of contact position	23536BH
	04/10/18	--	
		Latest modification - by: H.SIMIER	MOD N°
		Designed by: N.AUFFRET Date:30/03/17	
TITLE		CUSTOMER DRAWING	
MODULES WITH STRAIGHT PCB CONTACTS - LAYOUT 08-16			
GAMME 8MQ			
Scale	3/1	General linear Tolerances: ± --	NPRDS / PROJECT BE164803A
Esterline Connection Technologies		WWW.SOURIAU.COM	
FORMAT A3		SOURIAU DRG N° C011-8MQ-A	
		SHEET 1 / 1	

BASIC SERIE 8MQ 2 M 08-16 R N E S -

2 = Serie 2  
M = Module  
Layout  
Dash = No grounding  
R = Male module delivered with contacts  
U = Female module delivered with contacts  
N, A, B, C, D = polarization  
None = Without peripheral sealing  
E = With peripheral sealing  
S = Delivered with protection cap  
None = Pin contact : Gold plated, 0.8 μm mini  
046 = Pin contact : Tin plated over gold - SnPb  
046E = Pin contact : Tin plated over gold - Sn100  
046S = Pin contact : Tin plated over gold - SAC305

SOURIAU shall not be liable for any non-conformity or damage due to a use of the Products which does not comply with the Specifications issued by either of the Parties or by a third party (professional recommendation, technical notice.)

C.2: Validé

4  
3  
2  
1

4  
3  
2  
1

