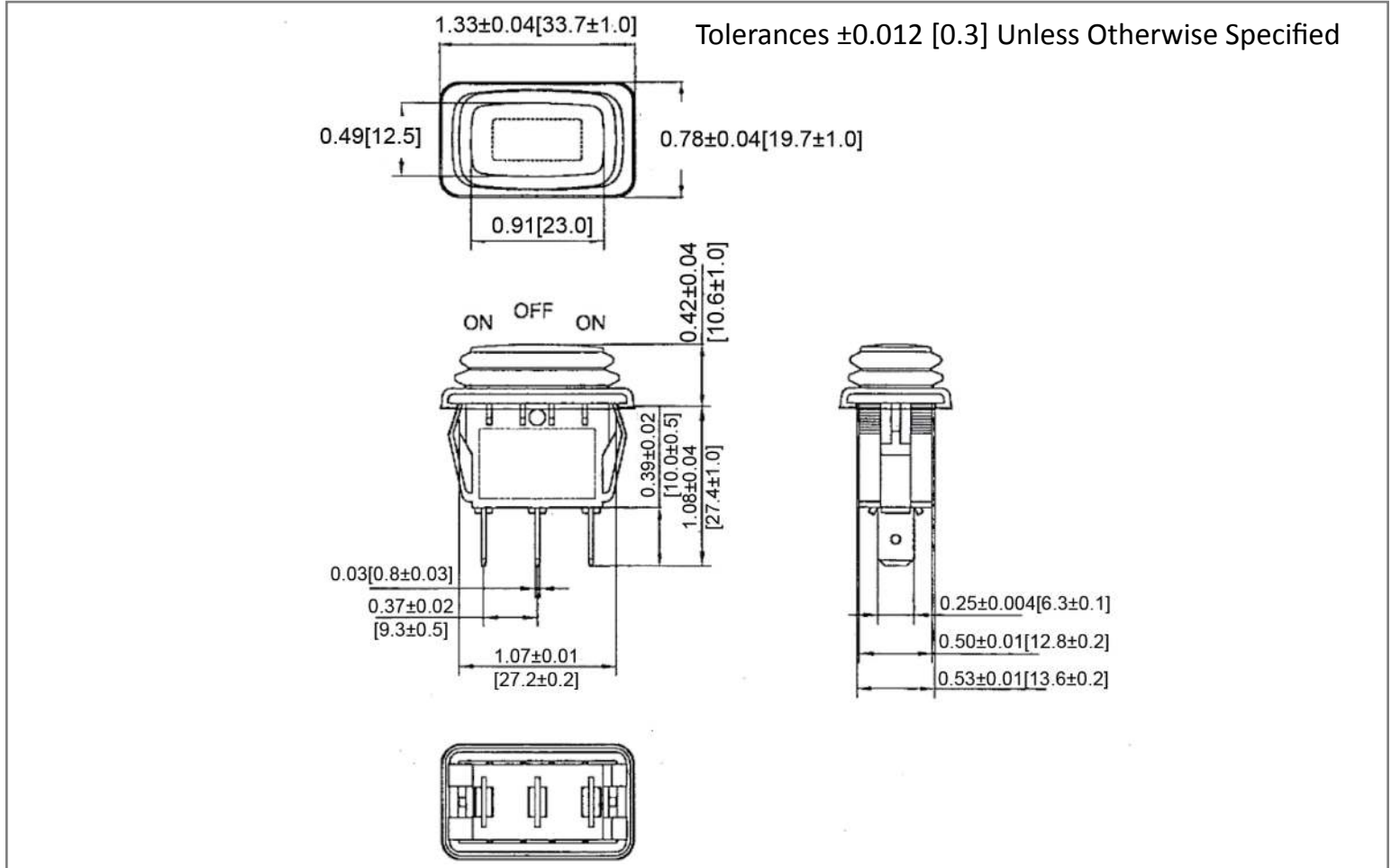
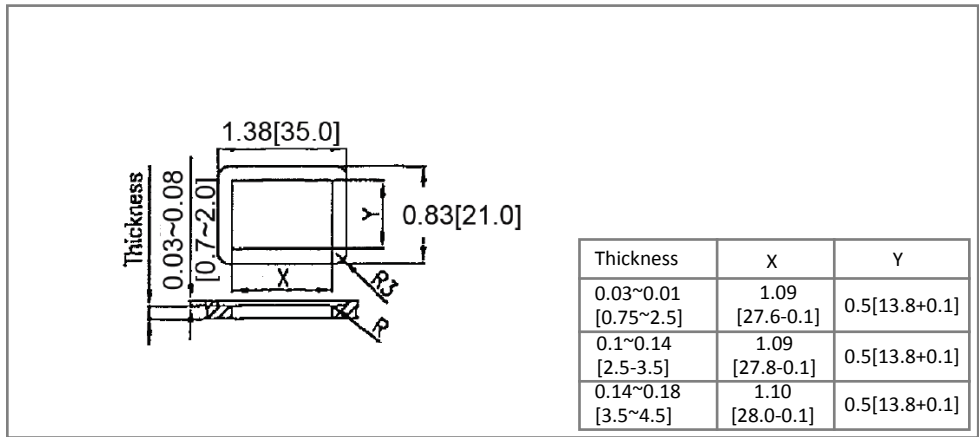


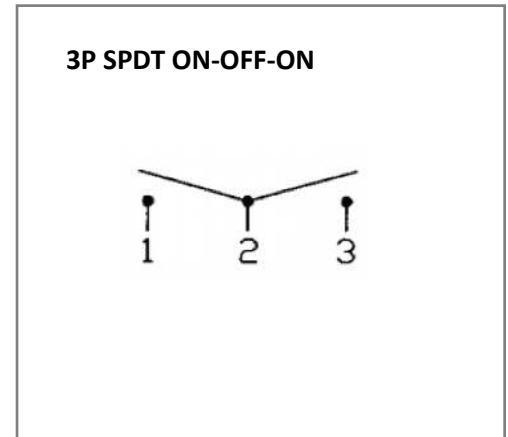
Mechanical Dimensions: Inches [mm]



Mounting Hole



Circuit Diagram



Electrical Specifications

| | | |
|------------------------------|------------------------|--|
| Rating | 16A 12V DC, 10A 28V DC | |
| Contact Resistance | 50m ohm Max | |
| Insulation Resistance | DC 500V 100M ohm Min | |
| Dielectric Strength | AC 1500V 1 minute | |
| Operation Temperature | -25°C~85°C | |

Material Specifications

| | |
|--------------------------|-----------------------------|
| Frame | Black, Nylon 66 |
| Actuator | Black, Nylon 66+30%GF |
| Terminals | Copper alloy, Silver plated |
| Waterproof rubber | Black, Silicone |
| Waterproof | IP65 |

| Rev | Date of issue | Revision Notes | Designed | Approved |
|-----|---------------|-----------------|----------|----------|
| B | 06-08-2021 | Initial Drawing | RC | OF |