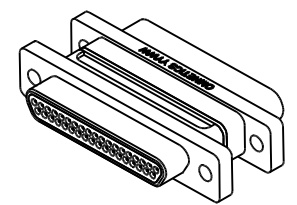
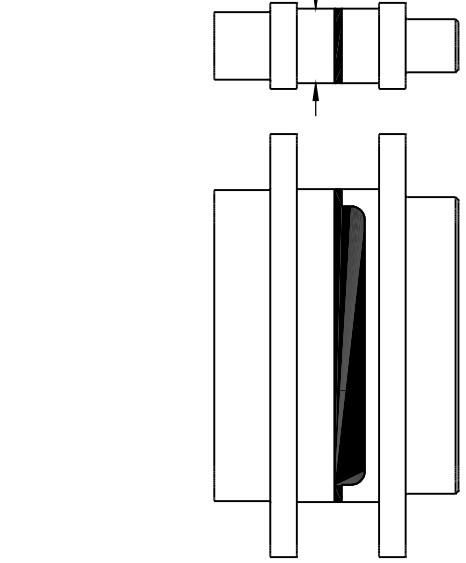
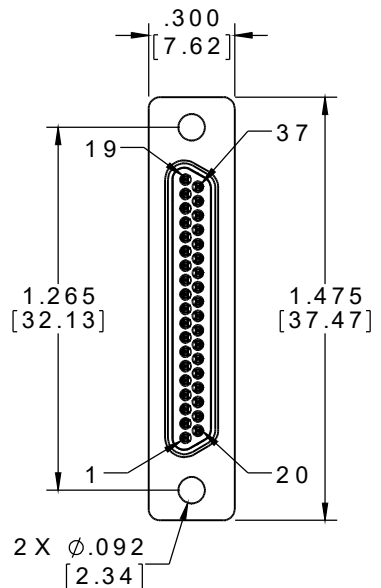
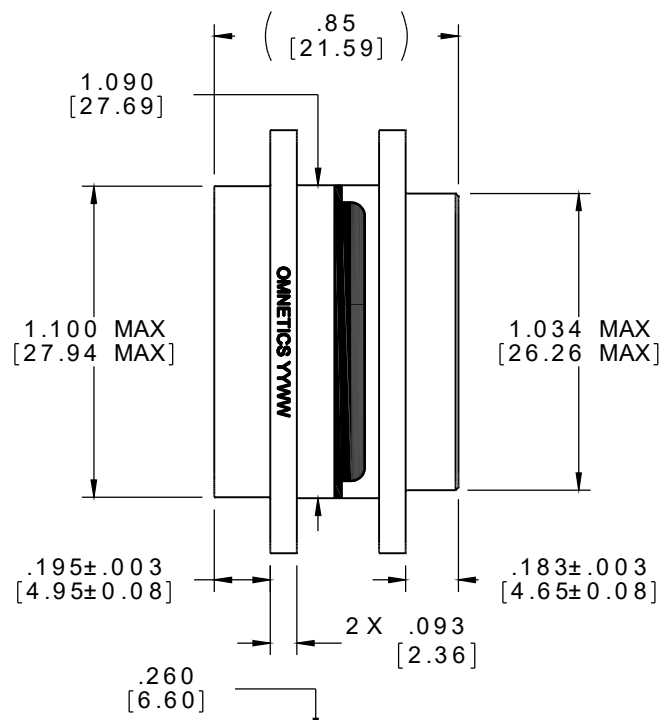
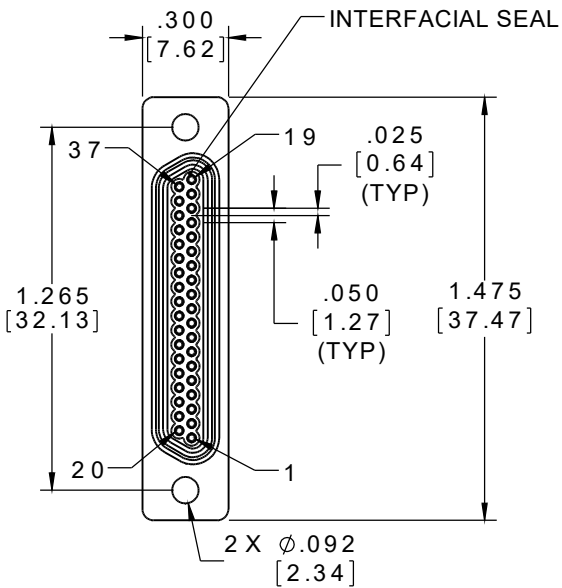


PART NO.	A97011-037	REV	ECO	DATE	APP
		B	98798	08-15-12	JMJ



ACTUAL SIZE

**MATERIALS**

**HOUSING:**  
ALUMINUM 6061-T6, NICKEL PLATE  
PER SAE-AMS-2404

**INSULATOR:**  
LIQUID CRYSTAL POLYMER (LCP)  
PER ASTM D5138

**MALE CONTACT:**  
BERYLLIUM COPPER PER ASTM  
B194, C17200, GOLD PLATED PER  
ASTM B488, (HARD GOLD) TYPE II  
CODE C, CLASS 1.27

**FEMALE CONTACT/SOLDERCUP:**  
COPPER ALLOY PER MIL-DTL-  
83513, GOLD PLATED PER ASTM  
B488, (HARD GOLD) TYPE II CODE  
C CLASS 1.27

**INTERFACIAL SEAL:**  
SILICONE RUBBER PER A-A-59588

MMDZ SLDW	THIRD ANGLE	THIS DRAWING CONTAINS CONFIDENTIAL AND PROPRIETARY INFORMATION WHICH IS THE PROPERTY OF OMNETICS CONNECTOR CORP. THIS DOCUMENT MAY NOT, IN WHOLE OR IN PART, BE DUPLICATED, OR DISCLOSED FOR ANY PURPOSE, WITHOUT WRITTEN PERMISSION FROM OMNETICS CONNECTOR CORP.		<b>OMNETICS</b> CONNECTOR CORPORATION 7260 COMMERCE CIRCLE EAST MINNEAPOLIS, MN 55432 WWW.OMNETICS.COM	CAGE CODE 61873		
	-TOLERANCES-	TITLE: (37) POSITION MICRO-D CONNECTOR SAVER			DWG NO. A97011-037		
	UNLESS OTHERWISE NOTED	DFTM. DGJ	DATE 07-03-12		SHEET 1 OF 1		REV B
	DIMENSIONS IN INCHES	CHK'D.	DATE		SCALE: 3:2		