

# GN 237

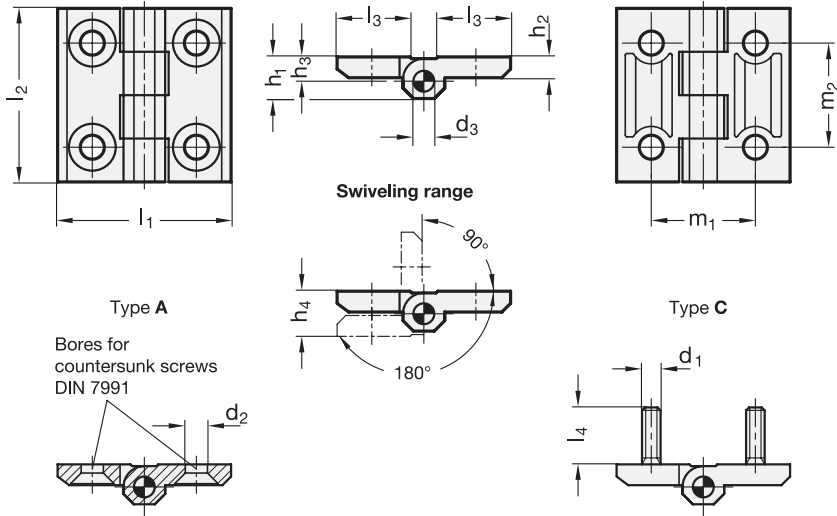
Zinc Die-Cast / Stainless Steel / Aluminum

# Hinges

with Countersunk Bores or Threaded Studs



**JWWINCO**  
A Ganter Company



**SS** Stainless Steel

- 4 Type**
- A** 2x2 bores for countersunk screws
- C** 2x2 threaded studs

## Metric table

Dimensions in: millimeters - inches

I <sub>1</sub>	I <sub>2</sub>	Material						d <sub>1</sub> Thread	d <sub>2</sub>	d <sub>3</sub>	h <sub>1</sub>	h <sub>2</sub>	h <sub>3</sub>	h <sub>4</sub> +0.5	I <sub>3</sub>		I <sub>4</sub>		m <sub>1</sub>	m <sub>2</sub>
		Type A		Type C		ZD	NI, A4, AL								ZD	NI				
30 <i>1.18</i>	30 <i>1.18</i>	ZD	NI	A4	AL	-	-	-	4.3 <i>0.17</i>	3 <i>0.12</i>	7.5 <i>0.30</i>	4 <i>0.16</i>	4.3 <i>0.17</i>	8.6 <i>0.34</i>	10.7 <i>0.42</i>	10.7 <i>0.42</i>	-	-	18 <i>0.71</i>	18 <i>0.71</i>
40 <i>1.57</i>	40 <i>1.57</i>	ZD	NI	A4	AL	ZD	NI	M 5	5.3 <i>0.21</i>	4 <i>0.16</i>	9 <i>0.35</i>	5 <i>0.20</i>	5.5 <i>0.22</i>	11 <i>0.43</i>	14 <i>0.55</i>	16 <i>0.63</i>	12 <i>0.47</i>	11 <i>0.43</i>	25 <i>0.98</i>	25 <i>0.98</i>
50 <i>1.97</i>	50 <i>1.97</i>	ZD	NI	A4	AL	ZD	NI	M 6	6.4 <i>0.25</i>	6 <i>0.24</i>	11.5 <i>0.45</i>	6 <i>0.24</i>	6.5 <i>0.26</i>	13 <i>0.51</i>	18.5 <i>0.73</i>	21 <i>0.83</i>	12 <i>0.47</i>	13 <i>0.51</i>	30 <i>1.18</i>	30 <i>1.18</i>
60 <i>2.36</i>	60 <i>2.36</i>	ZD	NI	A4	AL	ZD	NI	M 8	8.3 <i>0.33</i>	8 <i>0.31</i>	15 <i>0.59</i>	8 <i>0.31</i>	8.5 <i>0.33</i>	17 <i>0.67</i>	21.5 <i>0.85</i>	26 <i>1.02</i>	14 <i>0.55</i>	17 <i>0.67</i>	36 <i>1.42</i>	36 <i>1.42</i>

## Specification

- Body
  - Zinc die-cast **ZD**
  - Powder coated
  - Black, RAL 9005, textured finish **SW**
  - Silver, RAL 9006, textured finish **SR**
  - Chrome plated finish **CR**
- Stainless steel
  - AISI CF-8 **NI**
  - AISI 316 **A4**
  - Matte shot-blasted finish **GS**
- Aluminum **AL**
  - Anodized finish, natural color **EL**
- Pin
  - Stainless steel AISI 303 (for ZD)
  - Stainless steel AISI 316Ti (for AL, NI, A4)
- Threaded studs (Type C)
  - Stainless steel AISI 316 (for ZD)
  - Stainless steel AISI CF-8 (for NI casted in "one piece")
- Load Rating Information → page 2088
- Stainless Steel Characteristics → page 2143
- RoHS compliant

## Information

- GN 237 hinges are characterized by their compact and stable design. The various material and surface choices in combination with two mounting types enable very specific applications.
- see also...
- List of Hinge Types → page 1324
  - Lift-Off Hinges GN 337 → page 1407
  - Hinges GN 235 (Adjustable) → page 1405
  - Hinges GN 238 (Technopolymer Plastic, Adjustable) → page 1402
  - Hinges EN 237.1 (Technopolymer Plastic) → page 1334
  - Spacer Plates GN 2370 (Stainless Steel) → page 1380
  - Spacer Plates with Tapped Holes GN 2372 (Stainless Steel) → page 1381
  - Limit Stops GN 2374 → page 1336

How to order	
1	Material
2	Width I <sub>1</sub>
3	Length I <sub>2</sub>
4	Type
5	Finish

**GN 237-ZD-60-60-A-SR**