

Extraction Tool 844751-2

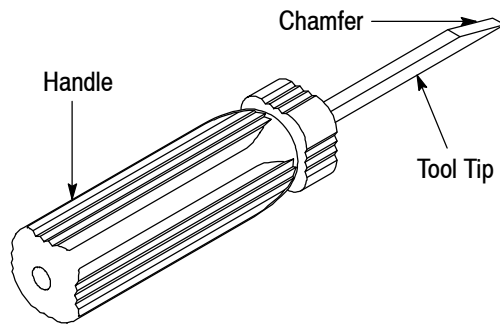


Figure 1

1. INTRODUCTION

Extraction Tool 844751-2 is designed to remove AMPINNERGY* wire-to-board (WTB) contacts and Posi-Mate contacts from connector housings. Read these instructions carefully before using the tool.

NOTE *Dimensions in this instruction sheet are in metric units [with U.S. customary units in brackets]. Figures are not drawn to scale.*

Reasons for reissue of this instruction sheet are provided in Section 6, REVISION SUMMARY.

2. DESCRIPTION

The extraction tool consists of a plastic handle, and a steel blade tool tip with a chamfer. When properly inserted into the housing contact cavity, the tool tip functions as a latch release, depressing the locking lance to allow the contact to be removed from the housing.

3. EXTRACTION PROCEDURE (Figure 2)

1. Align the tip of the tool with the appropriate contact cavity on the mating face of the housing. Position the tip so that the chamfer is facing the top of the contact cavity.
2. Hold wire, and gently insert tool tip into the contact cavity until the tip is positioned under the locking lance.
3. Push down gently on the tool handle to release the contact locking lance from its locking surface. Pull back on the wire to remove contact from the wire-entry end of the housing.

CAUTION *DO NOT use excessive force when extracting contact from cavity. If you experience difficulty in removing the contact, re-insert the tool tip, making sure the tip is properly positioned in the cavity, and try again.*

4. TOOL MAINTENANCE

It is recommended that the extraction tool be inspected when you receive it and at regularly scheduled intervals. The tool is not repairable and should be replaced when it is worn or damaged. Store the tool in a clean, dry place and clean the tool with a soft, lint-free cloth.

5. REPLACEMENT

Order tools through your representative, or call 1-800-526-5142, or send a facsimile of your purchase order to 717-986-7605, or write to:

CUSTOMER SERVICE (038-035)
 TYCO ELECTRONICS CORPORATION
 PO BOX 3608
 HARRISBURG PA 17105-3608

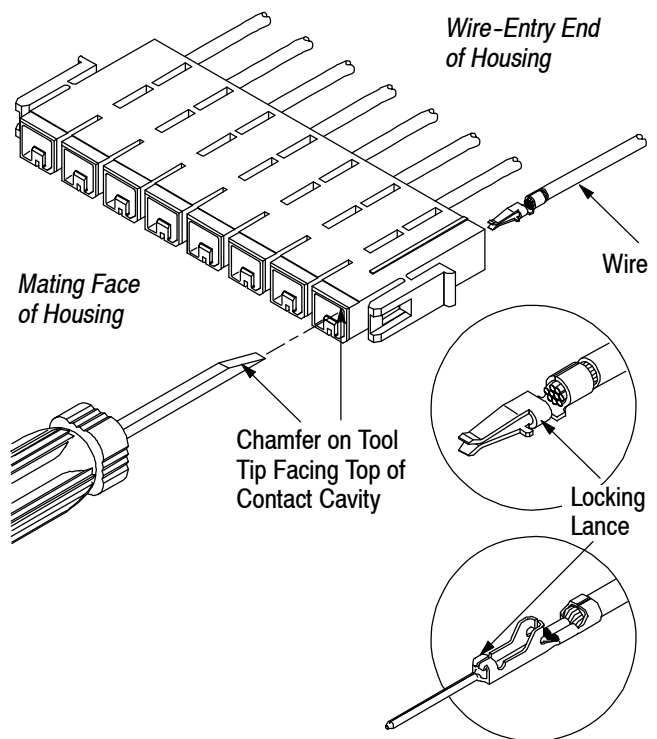


Figure 2

6. REVISION SUMMARY

Revisions to this instruction sheet include:

- Updated instruction sheet to corporate requirements