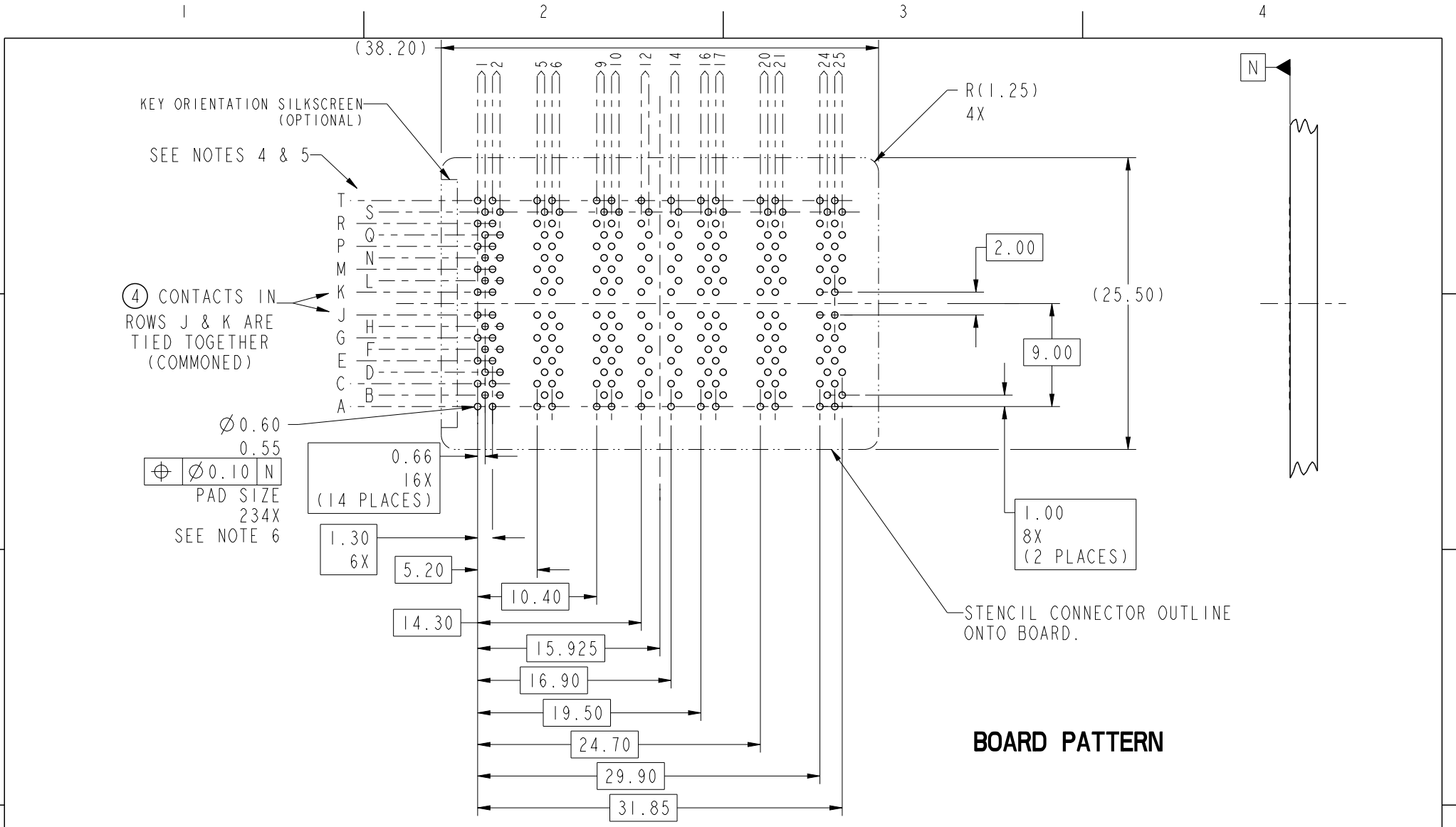




Copyright FCI.



spec ref	-	dr	Louis Ng	2010/11/01	projection	mm	size	A4	scale	1:1			
tolerance std	ASME Y14.5	eng	Nickor Zuo	2011/05/30			ecn no		ELX-DG-003943-1				
TOLERANCES UNLESS OTHERWISE SPECIFIED		chr	Alex Cao	2011/06/24			product family		GIG-Array		rel level		Released
surface	✓	appr	Pei-Ming Zheng	2011/06/27	product family		GIG-Array		rel level		Released		
	linear				title		GIG-Array (SELECT LOAD)		dwg no		10082972	rev	B
					12mm PLUG ASSY								
	angular				cat. no.		Product - Customer Drw		sheet 2 of 5				

ProjE File - REV C - 2009-06-09

1

2

3

4

A

B

C

D

A

B

C

D

D1
SIGNAL/GROUND

C1
GROUND

B1
SIGNAL/GROUND

A1
GROUND

A2
GROUND

PLUG INTERFACE DESCRIPTION

spec ref	-			dr	Louis Ng	2010/11/01	projection 	mm 	size	A4	scale	1:1
tolerance std	TOLERANCES UNLESS OTHERWISE SPECIFIED			eng	Nickor Zuo	2011/05/30			ecn no	ELX-DG-003943-1		
ASME Y14.5	-			chr	Alex Cao	2011/06/24			product family	GIG-Array		rel level
surface	✓	linear	0.X	±0.30	FCj	title	GIG-Array (SELECT LOAD)	dwg no	10082972	rev	B	
-		angular	0°	±2°								
www.fci.com					cat. no.		Product - Customer Drw			sheet 3 of 5		

PreE File - REV C - 2009-06-09

2

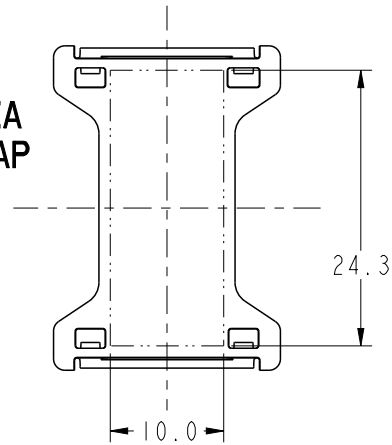
3

4

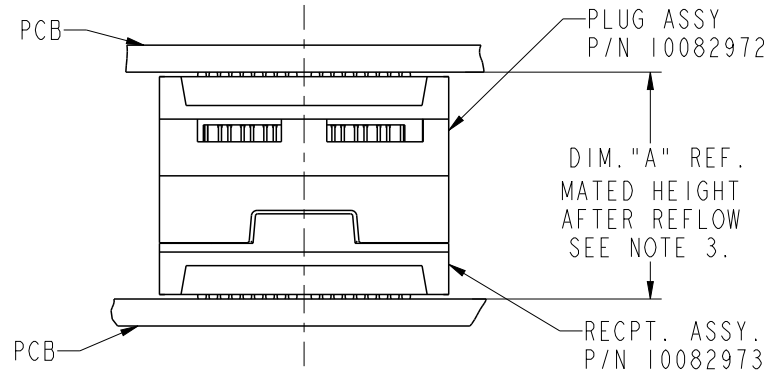


Copyright FCI.

FLAT AREA
PICK-UP CAP



SCALE 3:2



SCALE 3:2

END VIEW OF MATED CONNECTORS



Copyright FCI.

spec ref		-		dr	Louis Ng	2010/11/01	projection 	mm 	size	A4	scale	1:1					
tolerance std	ASME Y14.5	TOLERANCES UNLESS OTHERWISE SPECIFIED				eng			Nickor Zuo	2011/05/30	ecn no	ELX-DG-003943-1					
						chr			Alex Cao	2011/06/24		product family	GIG-Array		rel level	Released	
surface	✓	linear	0.X	±0.30	FCI 	title	GIG-Array (SELECT LOAD) 12mm PLUG ASSY		dwg no	10082972			rev	B			
			0.XX	±0.10								www.fci.com	cat. no.	Product - Customer Drw		sheet 4 of 5	
			0.XXX	±0.05													
		angular	0°	±2°													

PRODUCT NUMBER	SOLDER BALL COMPOSITION	CONTACT PLATING PERFORMANCE LEVEL
10082972-001	STANDARD (EUTECTIC)	PERFORMANCE-BASED PLATING, QUALIFIED TO MEET THE REQUIREMENTS OF FCI PRODUCT SPECIFICATION GS-12-192, INCLUDING TELCORDIA CENTRAL OFFICE
10082972-001LF	LEADFREE	

NOTES:

- ①. MATERIAL:
HOUSING: LCP
CONTACT: COPPER ALLOY
PLATING (CONTACT): Au OVER Ni.
UL RATING: 94 V-0
- ②. SOLDER BALLS WILL NOT BE PERFECT SPHERICAL SHAPE DUE TO REFLOW ATTACHMENT.
- ③. MATED HEIGHT EFFECTED BY CUSTOMERS' PCB PAD SIZE, PLATING, SOLDER REFLOW PROFILE & SOLDER PASTE.
- ④. CONTACTS IN ROWS A,C,E,G,J,K,M,P,R AND T) ARE SINGLE BEAM CONTACTS, TYPICALLY USED AS GROUND PINS. (NOTE: CONTACTS IN ROWS J & K ARE TIED TOGETHER [COMMONED])
- ⑤. CONTACTS IN ROWS B,D,F,H,L,N,Q AND S ARE DUAL BEAM CONTACTS, TYPICALLY USED AS SIGNAL PINS.
- ⑥. SPECIFIED POSITIONAL TOLERANCE DEFINES PAD TO PAD LOCATION WITHIN LAND PATTERN. POSITIONAL TOLERANCE OF LAND PATTERN TO FUDICIAL MARKS OR PCB DATUMS SHALL BE DEFINED BY CUSTOMER. FOR RECOMMENDED PRODUCT APPLICATION AND PCB DESIGN DETAILS, SEE DOC. NO. GS-20-016.
- ⑦. FOR PROPER APPLICATION FOLLOW FCI APPLICATION SPECIFICATION GS-20-033 LEADFREE SOLDER BALLS WILL NOT SOLDER PROPERLY IN A LEADED SOLDER PROCESS DUE TO A HIGHER REFLOW TEMPERATURE, LEADFREE PRODUCT IS THEREFORE NOT BACKWARDS COMPATIBLE WITH LEADED OR SOME SOLDERING APPLICATIONS. REFERENCE FCI APPLICATION SPECIFICATION.
- ⑧. THIS PRODUCT MEETS THE EUROPEAN UNION DIRECTIVES AND OTHER COUNTRY REGULATIONS AS DESCRIBED IN GS-22-008. PRODUCT MEETING WITH THES DIRECTIVE IS IDENTIFIED IN THE LOT CODE NUMBER MARKED ON EACH PART BY HAVING AN "X" IN THE SEVENTH CHARACTER POSITION.



Copyright FCI.

spec ref	-	dr	Louis Ng	2010/11/01	projection 	mm 	size	A4	scale	1:1
tolerance std	TOLERANCES UNLESS OTHERWISE SPECIFIED	eng	Nickor Zuo	2011/05/30			ecn no	ELX-DG-003943-1		
ASME Y14.5		chr	Alex Cao	2011/06/24				rel level	Released	
surface	linear	appr	Pei-Ming Zheng	2011/06/27	product family	GIG-Array		rev	B	
					title	GIG-Array (SELECT LOAD)		dwg no	10082972	
						12mm PLUG ASSY				
	angular				cat. no.	Product - Customer Drw		sheet	5 of 5	

ProdE File - REV C - 2009-06-09