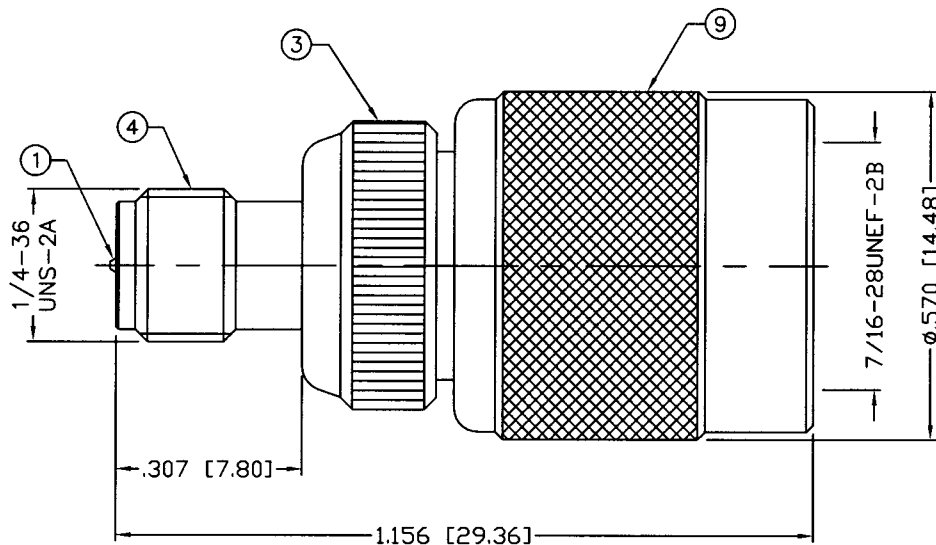


THIS DRAWING CONTAINS INFORMATION PROPRIETARY TO RF INDUSTRIES.
 ANY UNAUTHORIZED USE OF THIS DRAWING IS EXPRESSLY PROHIBITED
 WITHOUT WRITTEN PERMISSION FROM RF INDUSTRIES.
 ANY VIOLATION IS PUNISHABLE UNDER U.S. COPYRIGHT LAWS.

ALL DIMENSIONS ARE REFERENCE ONLY

PART NO.		RP-3472		
REV	DESCRIPTION	DWN	DATE	APPROVED
-	ENGINEERING RELEASE	CZS	6/28/04	JDMc



SPECIFICATIONS:

IMPEDANCE: 50 Ohms
 FREQUENCY RANGE: 0-7 GHz
 WORKING VOLTAGE: 375 V rms Max. @ Sea Level
 INSULATION RESISTANCE: 5k M ohms min.
 TEMPERATURE RANGE: -65°C TO +85°C

1	CONTACT	1	PHOS. BRONZE	GOLD, 3μ"	008974	
2	INSULATOR	1	PTFE	----		
3	BODY	1	BRASS	NICKEL, 100μ"		
4	SMA BODY	1	BRASS	NICKEL, 100μ"		
5	WASHER	1	BRASS	NICKEL, 100μ"		
6	RING	1	DELTRIN	----		
7	RETAINING RING	1	BRASS	NICKEL, 100μ"		
8	GASKET	1	RUBBER	----		
9	SHELL	1	BRASS	NICKEL, 100μ"		
10					DRAWN C. ZUNIGA 6/29/04	
11						CHECKED <i>[Signature]</i> 6/30/04
12						
13						ORJ DRAWN C. ZUNIGA 6/29/04
14						
#	DESCRIPTION	QTY	MATERIAL	FINISH	APPROVALS	DATE

UNLESS OTHERWISE SPECIFIED:

DIMENSIONS ARE IN INCHES AND [MILLIMETERS]
 UNLESS OTHERWISE NOTED TOLERANCES ARE:

DECIMALS	DIAMETER
----------	----------

RFconnectors
 DIVISION OF RF INDUSTRIES, LTD.

7610 MIRAMAR RD
 SAN DIEGO, CA 92126
 (858) 549-6340
 (858) 549-6345 FAX

SMA RP JACK TO TNC RP PLUG, ADAPTER

SIZE A	CABLE GROUP N/A	DWG NO. RP-3472	REV -
SCALE: NTS		CAD FILE OUTLINE	SHEET 1 OF 1