

4

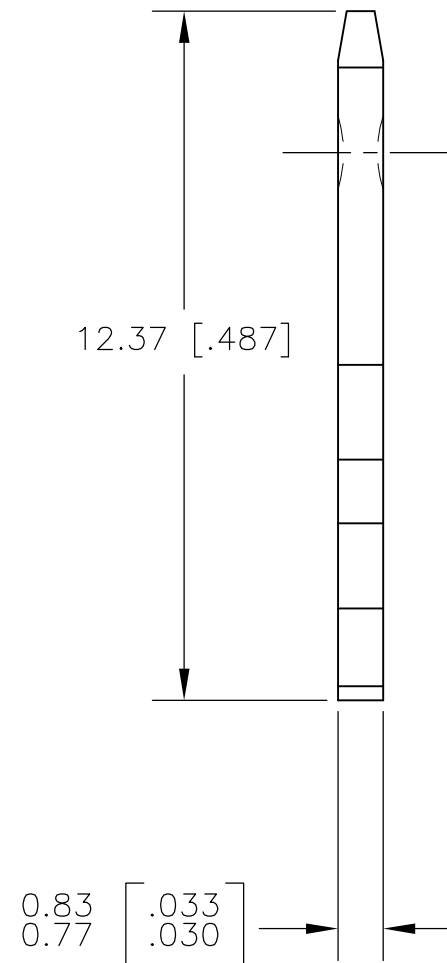
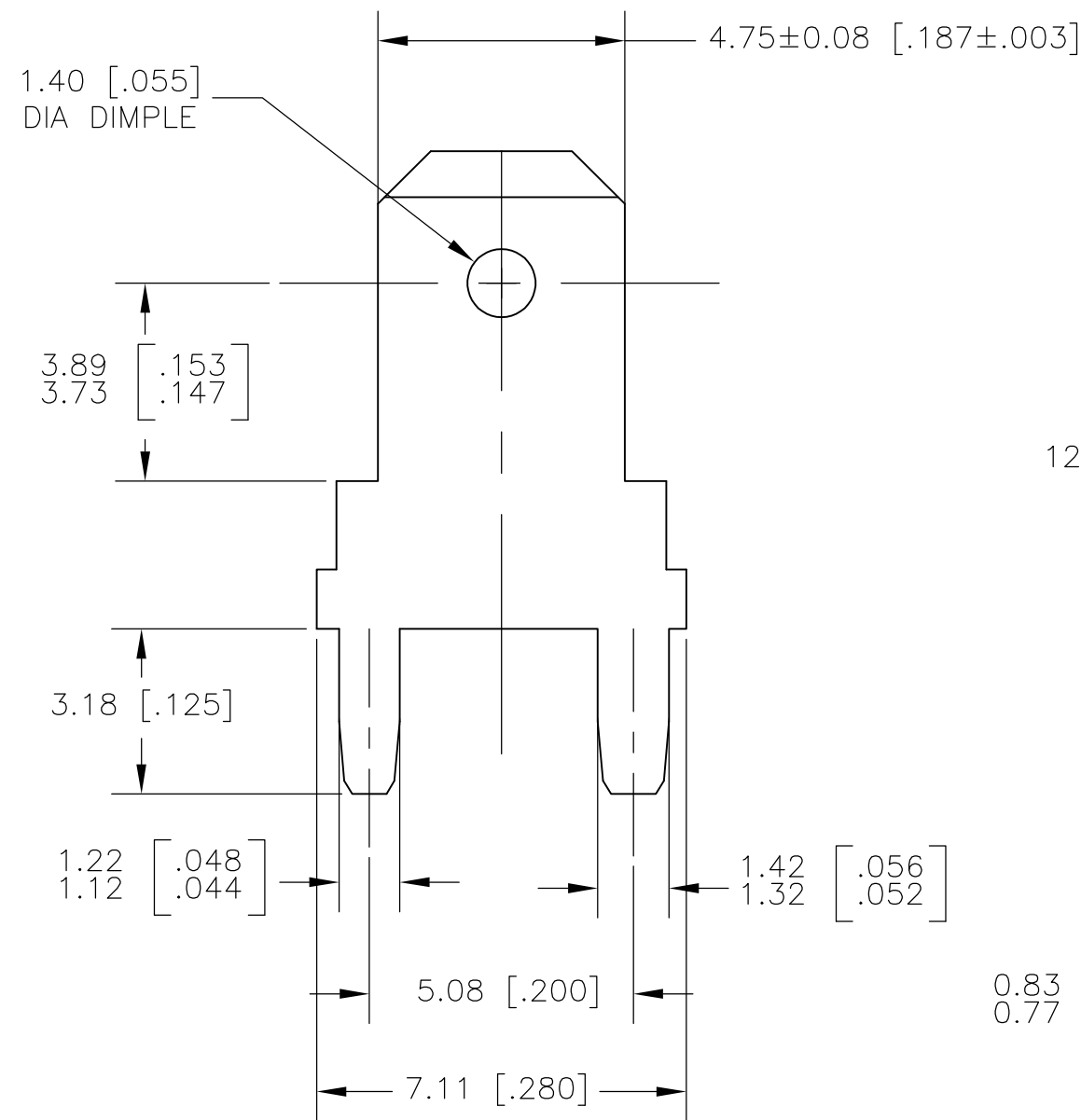
3

2

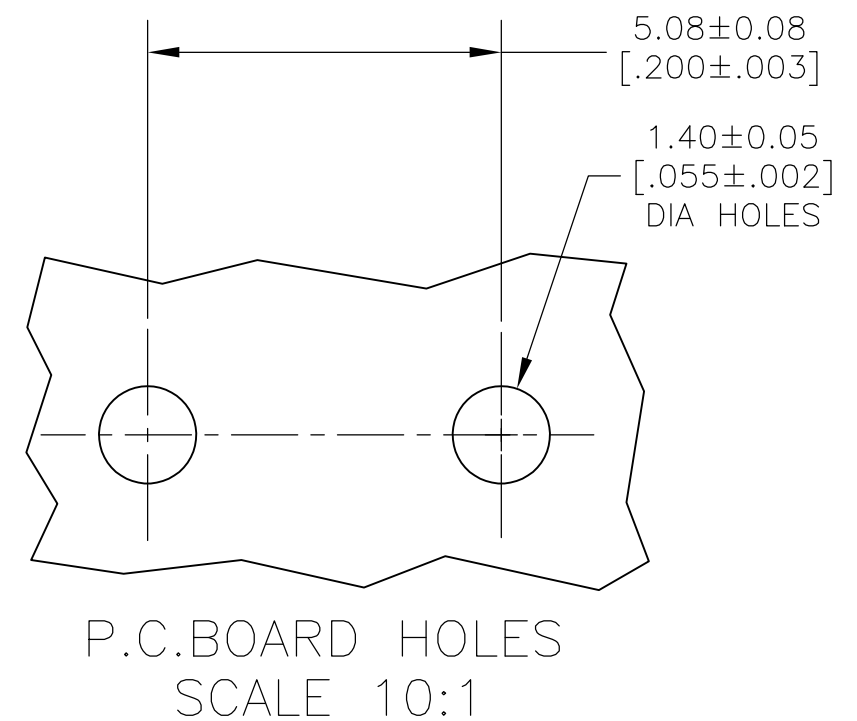
1

THIS DRAWING IS UNPUBLISHED. RELEASED FOR PUBLICATION - , - .
 © COPYRIGHT - By - ALL RIGHTS RESERVED.


LOC	DIST	REVISIONS			
P	LTR	DESCRIPTION	DATE	DWN	APVD
AF	50				
		D	REVISED PER ECR-13-001204	25JUN13	KH PD



1 SUPPLIED IN LOOSE PIECE
 2 0.00381 [0.000150] MIN TIN OVER
 0.00254 [0.000100] MIN THK COPPER.



1217057-1
 PART NUMBER

THIS DRAWING IS A CONTROLLED DOCUMENT.		DWN JR RUTH 20MAR01	 TE Connectivity		
DIMENSIONS: mm[INCHES]		CHK MS FEHER 20MAR01			
TOLERANCES UNLESS OTHERWISE SPECIFIED:		APVD N DEIBERT 20MAR01	NAME TAB, FASTON, PC BOARD, 4.75 [.187] SERIES		
0 PLC ± - 1 PLC ± - 2 PLC ± 0.25 [.010] 3 PLC ± - 4 PLC ± - ANGLES ± -		PRODUCT SPEC -	RESTRICTED TO -		
MATERIAL BRASS		FINISH TIN OVER COPPER	APPLICATION SPEC -	WEIGHT -	SIZE A3
			CAGE CODE 00779	DRAWING NO C-1217057	SCALE 8:1
			CUSTOMER DRAWING		SHEET 1 of 1
					REV D