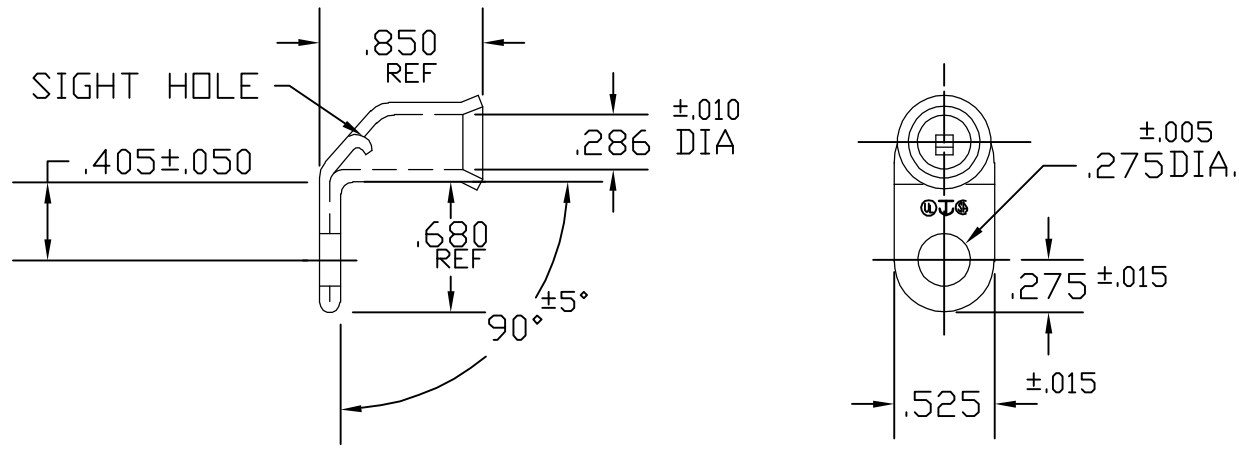


THIS DRAWING IS UNPUBLISHED. RELEASED FOR PUBLICATION  
 © COPYRIGHT BY TYCO ELECTRONICS CORPORATION. ALL RIGHTS RESERVED.

LOC	DIST	REVISIONS					
		P	LTR	DESCRIPTION	DATE	DWN	APVD
G	50		A1	REVISED PER ECR-06-009580	28APR06	HMR	JR



ACTIVE	4141-11-90	STANDARD	TIN PLATE	1526234-2
OBSOLETE	4141-10-90	STANDARD	PLAIN	1526234-1
STATUS	AET P/N	PACKAGING	FINISH	PART NUMBER

THIS DRAWING IS A CONTROLLED DOCUMENT.		DWN D.A.A 10/17/00	Tyco Electronics Corporation Harrisburg, PA 17105-3608		
DIMENSIONS: INCHES		CHK H.D.F 10/17/00			
		APVD H.D.F 10/17/00	PRODUCT SPEC -		RESTRICTED TO -
TOLERANCES UNLESS OTHERWISE SPECIFIED:		APPLICATION SPEC -	SIZE A3	CAGE CODE 00779	
MATERIAL COPPER ASTM B-152		FINISH -	WEIGHT -	SCALE 1:1	
CUSTOMER DRAWING			SHEET 1	OF 1	REV A1