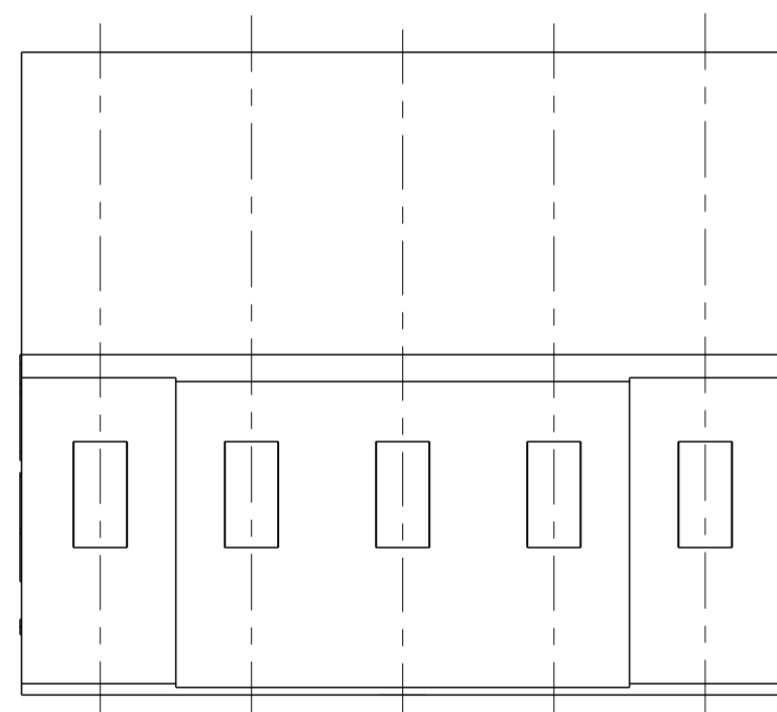
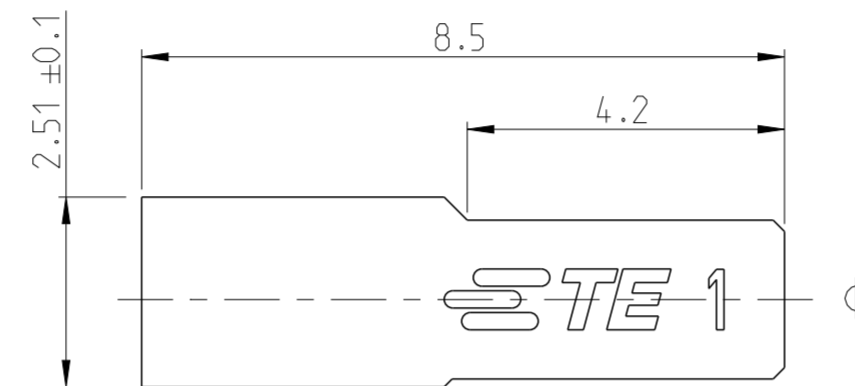
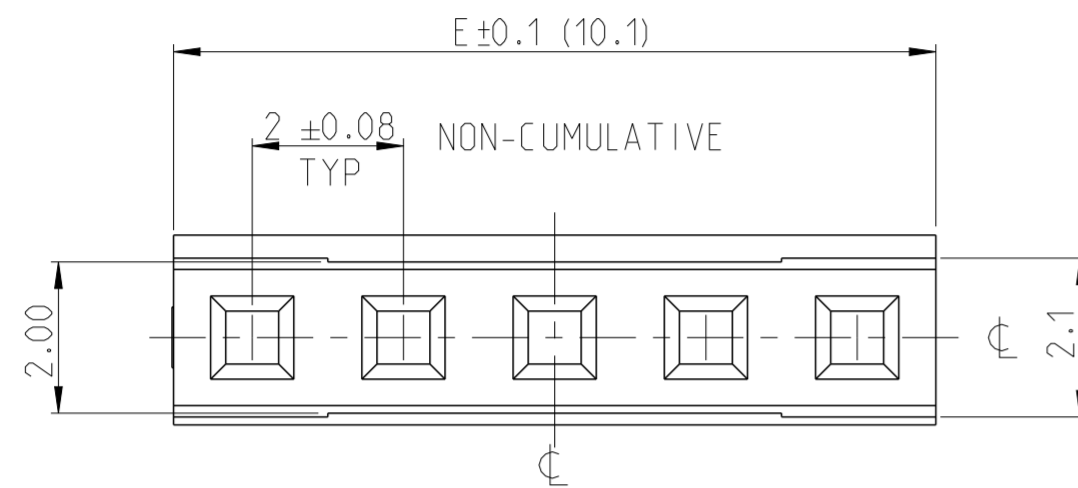


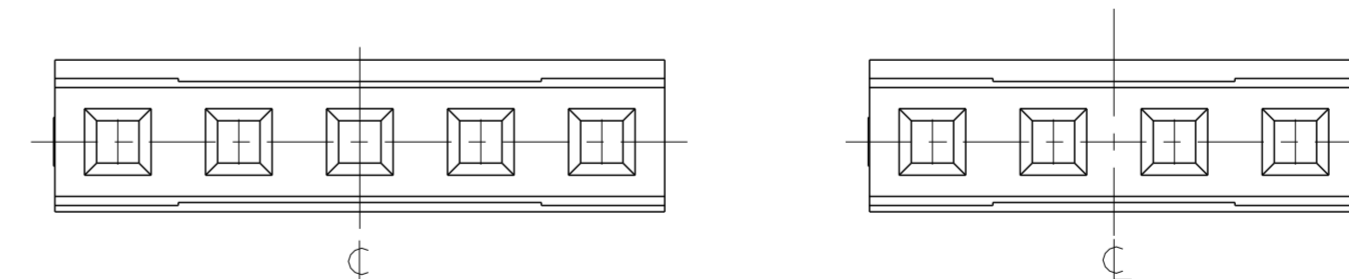
P	LTR	DESCRIPTION	DATE	DWN	APVD
A		RELEASE TO PRODUCTION	01APR2020	AY	PS
A1		SMART PN DETAILS ADDED	15FEB2022	SCB	PS

NOTES:

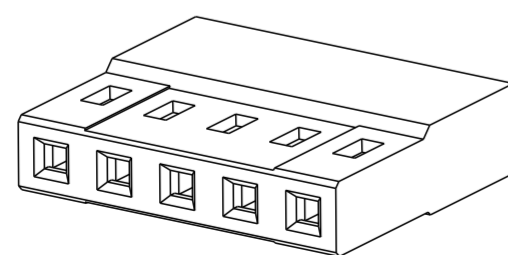
- MATERIAL:
LCP BLACK, UL94 V0
- N = NUMBER OF POSITION PER HOUSING.
- HOUSING TO BE USED WITH CRIMP CONTACTS
2316113 (AWG 28-24/0.08-0.22 mm²) AND
2316114 (AWG 30-28/0.05-0.08 mm²)
- PACKAGING : BULK (BOX)



CENTERLINE FOR ODD AND EVEN POSITION HOUSINGS



SINGLE ROW HOUSING
PLAIN VERSION
-5 AS SHOWN
5:1



BOX PACKAGING		
2MM-RC-S25-BX	50.1	25
2MM-RC-S24-BX	48.1	24
2MM-RC-S23-BX	46.1	23
2MM-RC-S22-BX	44.1	22
2MM-RC-S21-BX	42.1	21
2MM-RC-S20-BX	40.1	20
2MM-RC-S19-BX	38.1	19
2MM-RC-S18-BX	36.1	18
2MM-RC-S17-BX	34.1	17
2MM-RC-S16-BX	32.1	16
2MM-RC-S15-BX	30.1	15
2MM-RC-S14-BX	28.1	14
2MM-RC-S13-BX	26.1	13
2MM-RC-S12-BX	24.1	12
2MM-RC-S11-BX	22.1	11
2MM-RC-S10-BX	20.1	10
2MM-RC-S09-BX	18.1	9
2MM-RC-S08-BX	16.1	8
2MM-RC-S07-BX	14.1	7
2MM-RC-S06-BX	12.1	6
2MM-RC-S05-BX	10.1	5
2MM-RC-S04-BX	8.1	4
2MM-RC-S03-BX	6.1	3
2MM-RC-S02-BX	4.1	2
SMART PN	DIM "E"	N

THIS DRAWING IS A CONTROLLED DOCUMENT.

DIMENSIONS: mm	TOLERANCES UNLESS OTHERWISE SPECIFIED: 0 PLC ± 1 PLC ±0.15 2 PLC ±0.10 3 PLC ± 4 PLC ± ANGLES ±2° FINISH	DWN 29OCT2017 RAKSHITH R NAYAK CHK 29OCT2017 RAKSHITH R NAYAK APVD 11DEC2017 PRASHANTH S PRODUCT SPEC 108-64040-1 APPLICATION SPEC 114-32173 WEIGHT -	<p>TE Connectivity</p> <p>NAME AMPMODU 2mm RECEPTACLE, WTB HOUSING, CRIMP, SR, PLAIN</p>
MATERIAL SEE NOTE 1		CUSTOMER DRAWING	<p>SIZE A2</p> <p>CAGE CODE 00779</p> <p>DRAWING NO C-2316102</p> <p>RESTRICTED TO -</p>
		SCALE 10:1	SHEET 1 OF 2

REV A1

REVISIONS					
P	LTR	DESCRIPTION	DATE	DWN	APVD
-		SEE SHEET 1	-	-	-

SMART PART NUMBER
2MM - RC - S__ - BX

PRODUCT SERIES
2MM AMPMODU 2mm SERIES

GENDER / TYPE
RC RECEPTACLE HOUSING FOR CRIMP TYPE (STANDARD)


NUMBER OF ROWS
S SINGLE ROW

PACKAGING
BX BOX

NUMBER OF PINS PER ROW
XX 02 THROUGH 25 (ENTER TWO DIGITS)

SMART PN EXAMPLES:

- 2MM-RC-S02-BX:
AMPMODU 2mm, RECEPTACLE HOUSING FOR CRIMP TYPE (STANDARD), SINGLE ROW , 02 POSITION PER ROW , BOX PACKAGING
- 2MM-RC-S25-BX:
AMPMODU 2mm, RECEPTACLE HOUSING FOR CRIMP TYPE (STANDARD), SINGLE ROW , 25 POSITION PER ROW , BOX PACKAGING

THIS DRAWING IS A CONTROLLED DOCUMENT.		DWN 29OCT2017 RAKSHITH R NAYAK	 TE Connectivity	
		CHK 29OCT2017 RAKSHITH R NAYAK		
DIMENSIONS: mm		APVD 11DEC2017 PRASHANTH S	NAME AMPMODU 2mm RECEPTACLE, WTB HOUSING, CRIMP, SR, PLAIN	
TOLERANCES UNLESS OTHERWISE SPECIFIED: 0 PLC ± 1 PLC ±0.15 2 PLC ±0.10 3 PLC ± 4 PLC ± ANGLES ±°		PRODUCT SPEC 108-64040-1	RESTRICTED TO -	
MATERIAL SEE NOTE 1		APPLICATION SPEC 114-32173	SIZE A2	CAGE CODE 00779
		WEIGHT -	DRAWING NO C-2316102	SCALE 1:1
		CUSTOMER DRAWING	SHEET 2 OF 2	REV A1